

*Fixings with an asterisk are required on sheet ends and end laps only.

Elite System 60

Bracket Height	Insulation Thickness	Insulation Value	Overall System Depth	U Value at 1.5M Centres
100mm	100mm	0.040	150mm	0.43
120mm	120mm	0.040	170mm	0.36
140mm	140mm	0.040	190mm	0.31
160mm	160mm	0.040	210mm	0.27
180mm	180mm	0.040	230mm	0.24
200mm	200mm	0.040	250mm	0.22
220mm	220mm	0.040	270mm	0.20

Please Note:

System is fire rated using Knauf Factoryclad 40 ECOSE insulation of minimum thickness 80mm with steel outer sheet only, to achieve 120 minutes Integrity, 15 minutes (min) Insulation which meets the requirements of Building Regulations Part B for external walls where fire attack is from inside the building and the wall is 1M or more from the boundary.

System can be fire rated using Rockwool insulation of minimum thickness 120mm with steel outer sheet only, with liner stitched at 300mm centres, to achieve 120 minutes Integrity, 30 minutes (min) Insulation.

Ensure roll edges are lapped/butted to ensure no gaps.

Please refer to the technical note: Installer guidance for quilt insulation in Elite Wall Systems
Refer to Technical for advice on constructions requiring better U values than those shown.

ELITE SYSTEMS



www.euroclad.com
Tel: +44 (0)2922 010 101
Fax: +44 (0)2922 010 122

TITLE: Elite System 60

DWG NO: E60

DRAWN: CD

CHECK: MP

DATE: Jan 2020

SCALE: NTS

This draft drawing has been supplied by Euroclad Group Ltd for the purpose of guidance free of charge. It is a suggested typical detail and as such should not be assumed suitable for any specific project or application. No responsibility is assumed for errors or misinterpretations resulting from the information contained in the drawing. Details are for illustration only and no liability is accepted. We reserve the right to change the details without notice. The drawing is copyright, it remains our property.

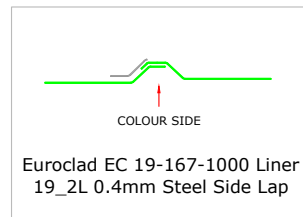
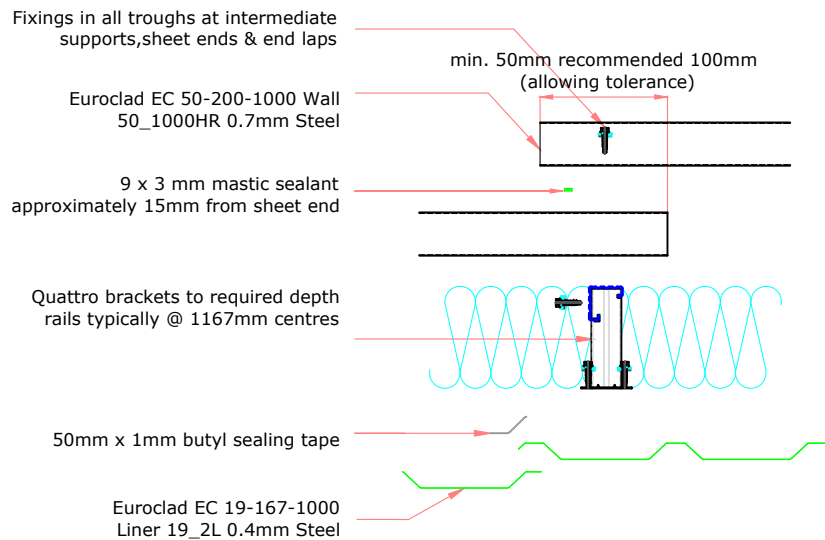
To be read in conjunction with Elite System specification documents

Please Note:
 System is fire rated using Knauf Factoryclad 40 ECOSE insulation of minimum thickness 80mm with steel outer sheet only, to achieve 120 minutes Integrity, 15 minutes (min) Insulation which meets the requirements of Building Regulations Part B for external walls where fire attack is from inside the building and the wall is 1M or more from the boundary.

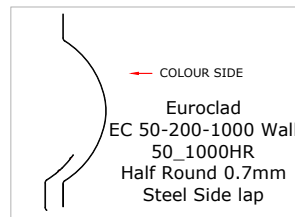
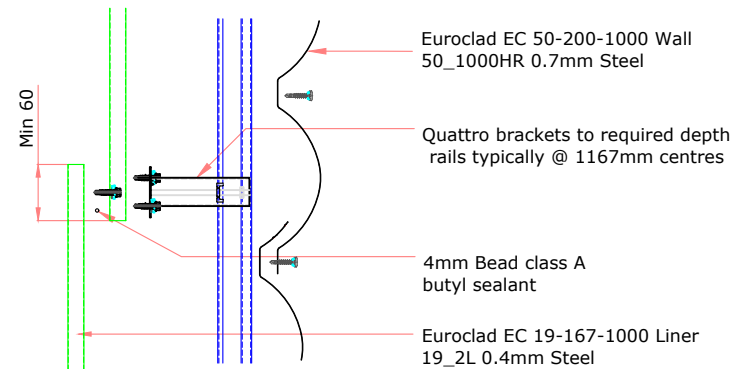
System can be fire rated using Rockwool insulation of minimum thickness 120mm with steel outer sheet only, with liner stitched at 300mm centres, to achieve 120 minutes Integrity, 30 minutes (min) Insulation.

Ensure roll edges are lapped/butted to ensure no gaps.

ELITE SYSTEM 60 END LAP DETAIL



ELITE SYSTEM 60 SIDE LAP DETAIL



ELITE SYSTEMS

EUROCLAD

www.euroclad.com
 Tel: +44 (0)2922 010 101
 Fax: +44 (0)2922 010 122

TITLE: Elite System 60
 DWG NO: E60
 DRAWN: CD
 CHECK: MP
 DATE: Jan 2020
 SCALE: NTS

This draft drawing has been supplied by Euroclad Group Ltd for the purpose of guidance free of charge. It is a suggested typical detail and as such should not be assumed suitable for any specific project or application. No responsibility is assumed for errors or misinterpretations resulting from the information contained in the drawing. Details are for illustration only and no liability is accepted. We reserve the right to change the details without notice. The drawing is copyright, it remains our property.

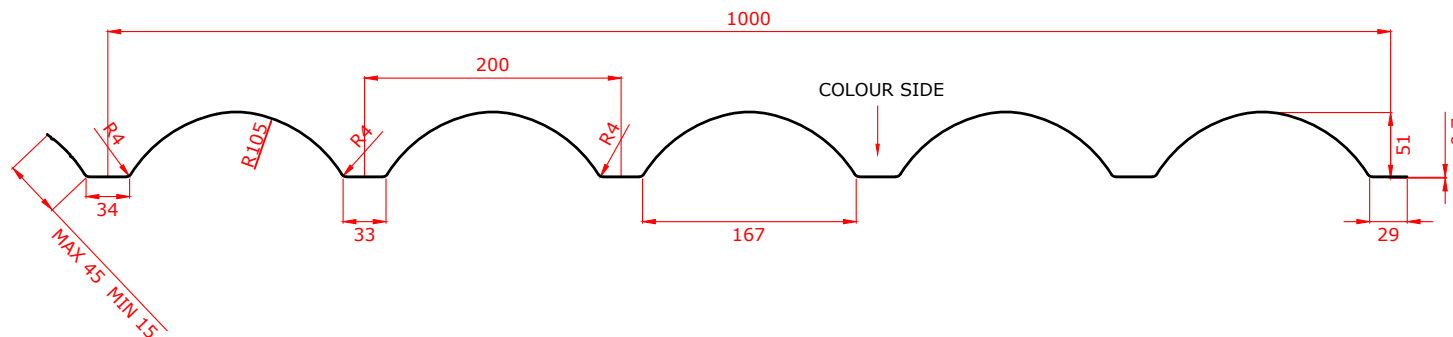
To be read in conjunction with Elite System specification documents

TITLE: Elite System 60
 DWG NO: E60
 DRAWN: CD
 CHECK: MP
 DATE: Jan 2020
 SCALE: NTS

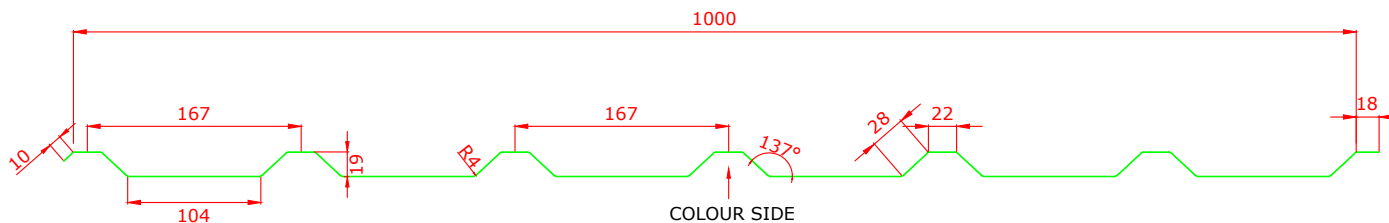
This draft drawing has been supplied by Euroclad Group Ltd for the purpose of guidance free of charge. It is a suggested typical detail and as such should not be assumed suitable for any specific project or application. No responsibility is assumed for errors or misinterpretations resulting from the information contained in the drawing. Details are for illustration only and no liability is accepted. We reserve the right to change the details without notice. The drawing is copyright, it remains our property.

To be read in conjunction with Elite System specification documents

EUROCLAD EC 50-200-1000 Wall 50_1000HR 0.7mm Steel EXTERNAL SHEET

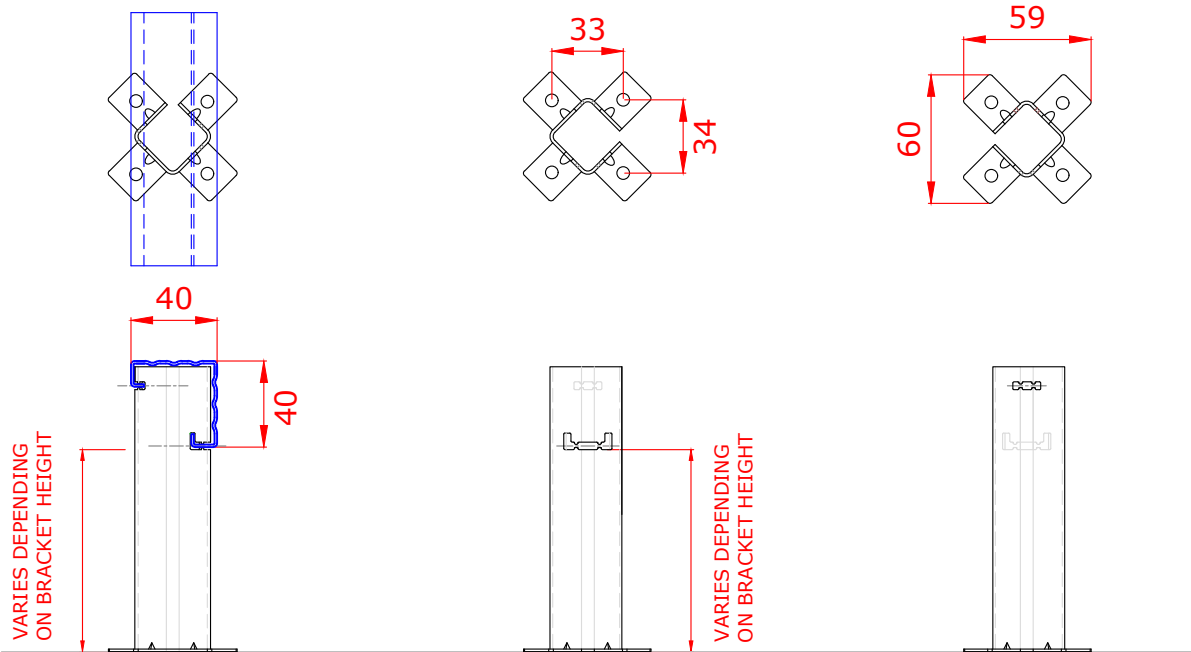
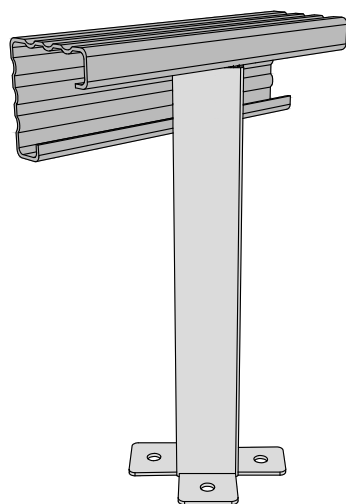


EUROCLAD EC 19-167-1000 Liner 19_2L 0.4mm Steel

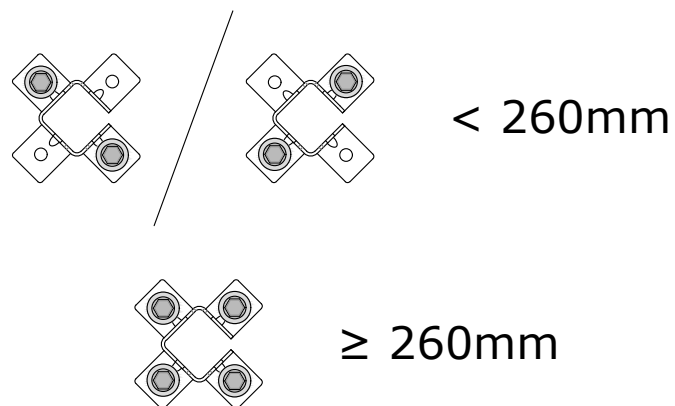


This draft drawing has been supplied by Euroclad Group Ltd for the purpose of guidance free of charge. It is a suggested typical detail and as such should not be assumed suitable for any specific project or application. No responsibility is assumed for errors or misinterpretations resulting from the information contained in the drawing. Details are for illustration only and no liability is accepted. We reserve the right to change the details without notice. The drawing is copyright, it remains our property.

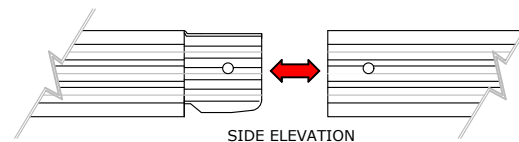
To be read in conjunction with Elite System specification documents



Brackets less than 260mm require 2 fixings diagonally opposite.
Brackets 260mm or more require 4 fixings.



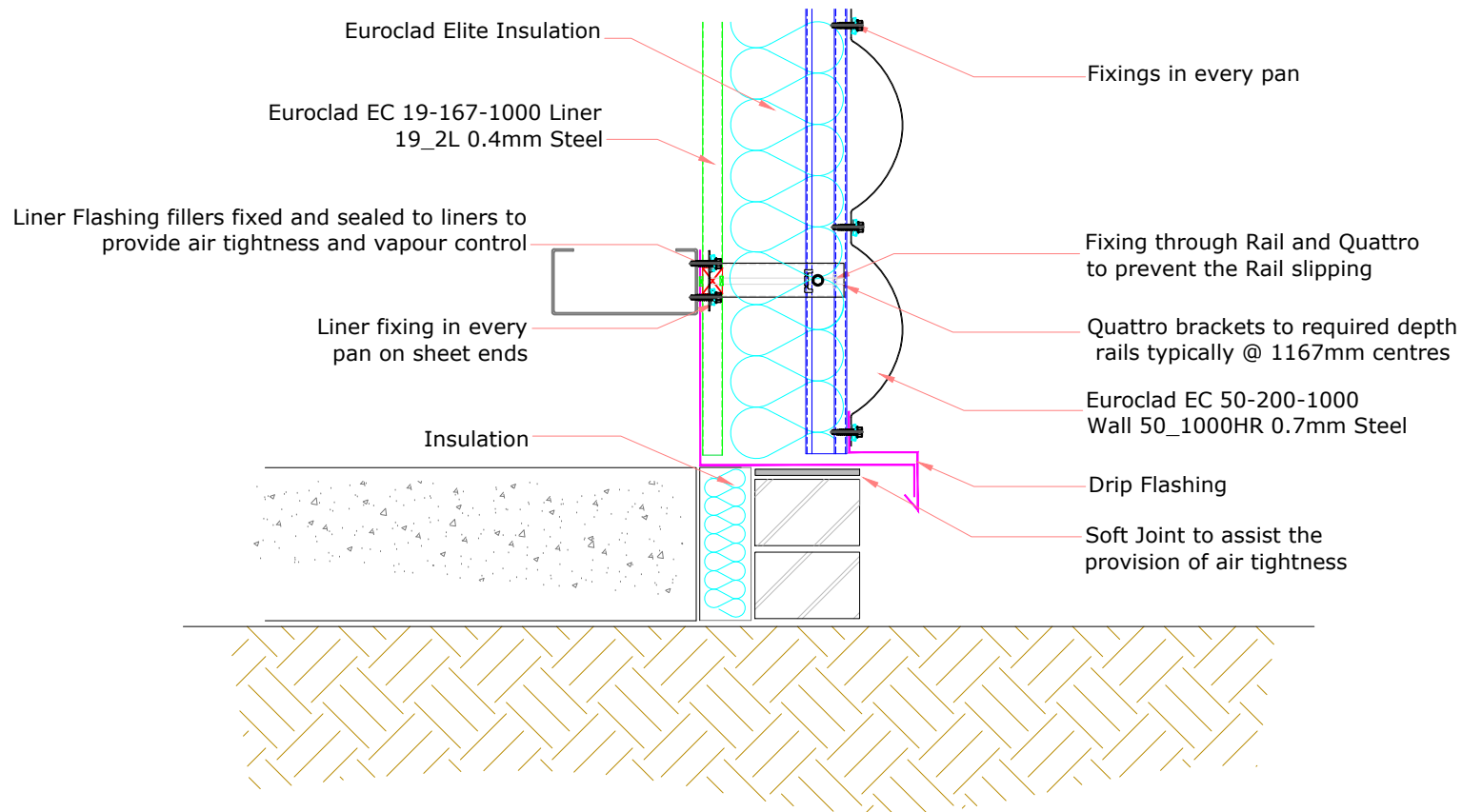
Maximum bar cantilever at free ends is 300mm.
Spigot can fall anywhere between two brackets.



TITLE: Elite System 60
 DWG NO: E60
 DRAWN: CD
 CHECK: MP
 DATE: Jan 2020
 SCALE: NTS

This draft drawing has been supplied by Euroclad Group Ltd for the purpose of guidance free of charge. It is a suggested typical detail and as such should not be assumed suitable for any specific project or application. No responsibility is assumed for errors or misinterpretations resulting from the information contained in the drawing. Details are for illustration only and no liability is accepted. We reserve the right to change the details without notice. The drawing is copyright, it remains our property.

To be read in conjunction with Elite System specification documents



ELITE SYSTEMS



www.euroclad.com
Tel: +44 (0)2922 010 101
Fax: +44 (0)2922 010 122

TITLE: Elite System 60

DWG NO: E60

DRAWN: CD

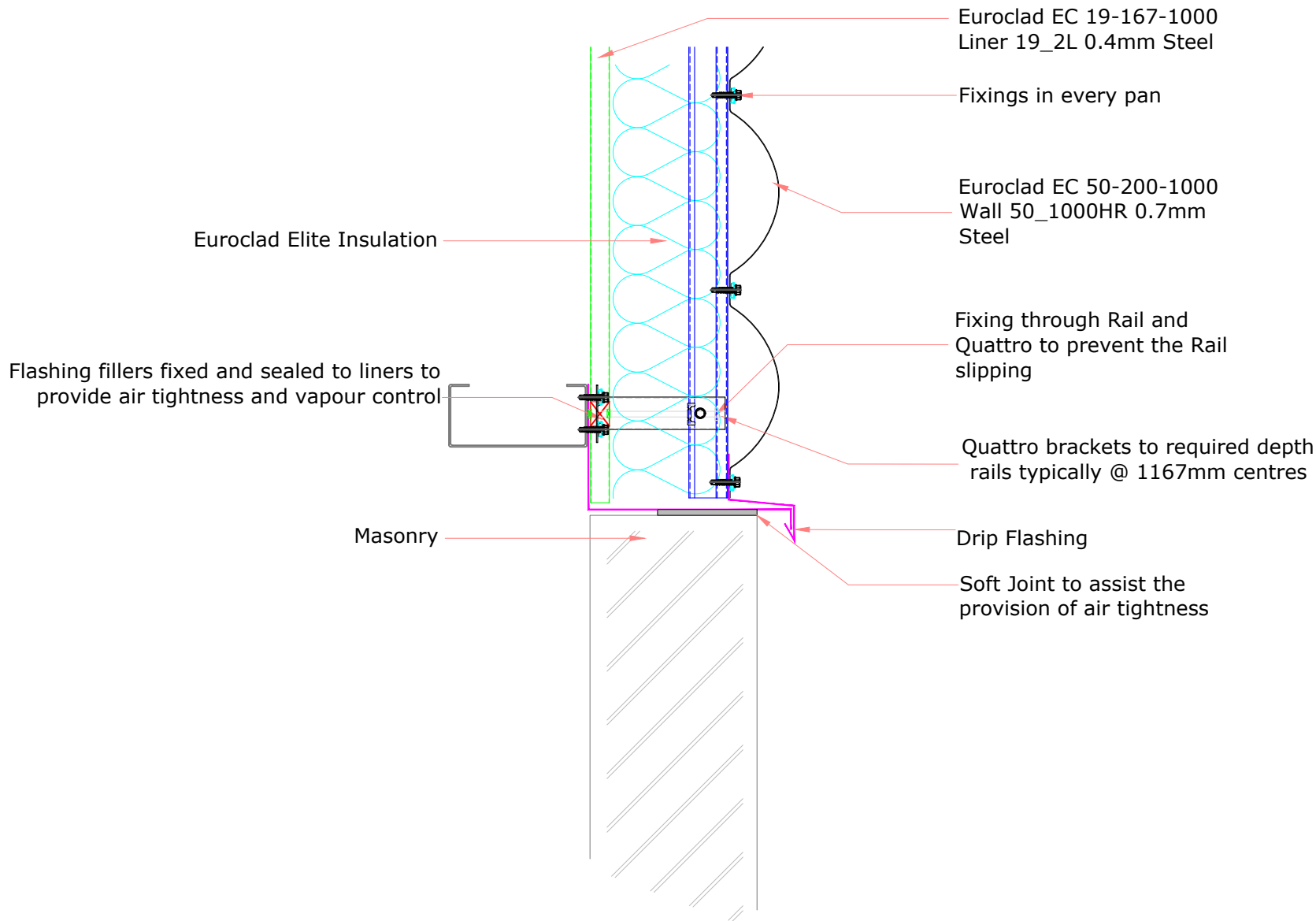
CHECK: MP

DATE: Jan 2020

SCALE: NTS

This draft drawing has been supplied by Euroclad Group Ltd for the purpose of guidance free of charge. It is a suggested typical detail and as such should not be assumed suitable for any specific project or application. No responsibility is assumed for errors or misinterpretations resulting from the information contained in the drawing. Details are for illustration only and no liability is accepted. We reserve the right to change the details without notice. The drawing is copyright, it remains our property.

To be read in conjunction with Elite System specification documents



TITLE: Elite System 60

DWG NO: E60

DRAWN: CD

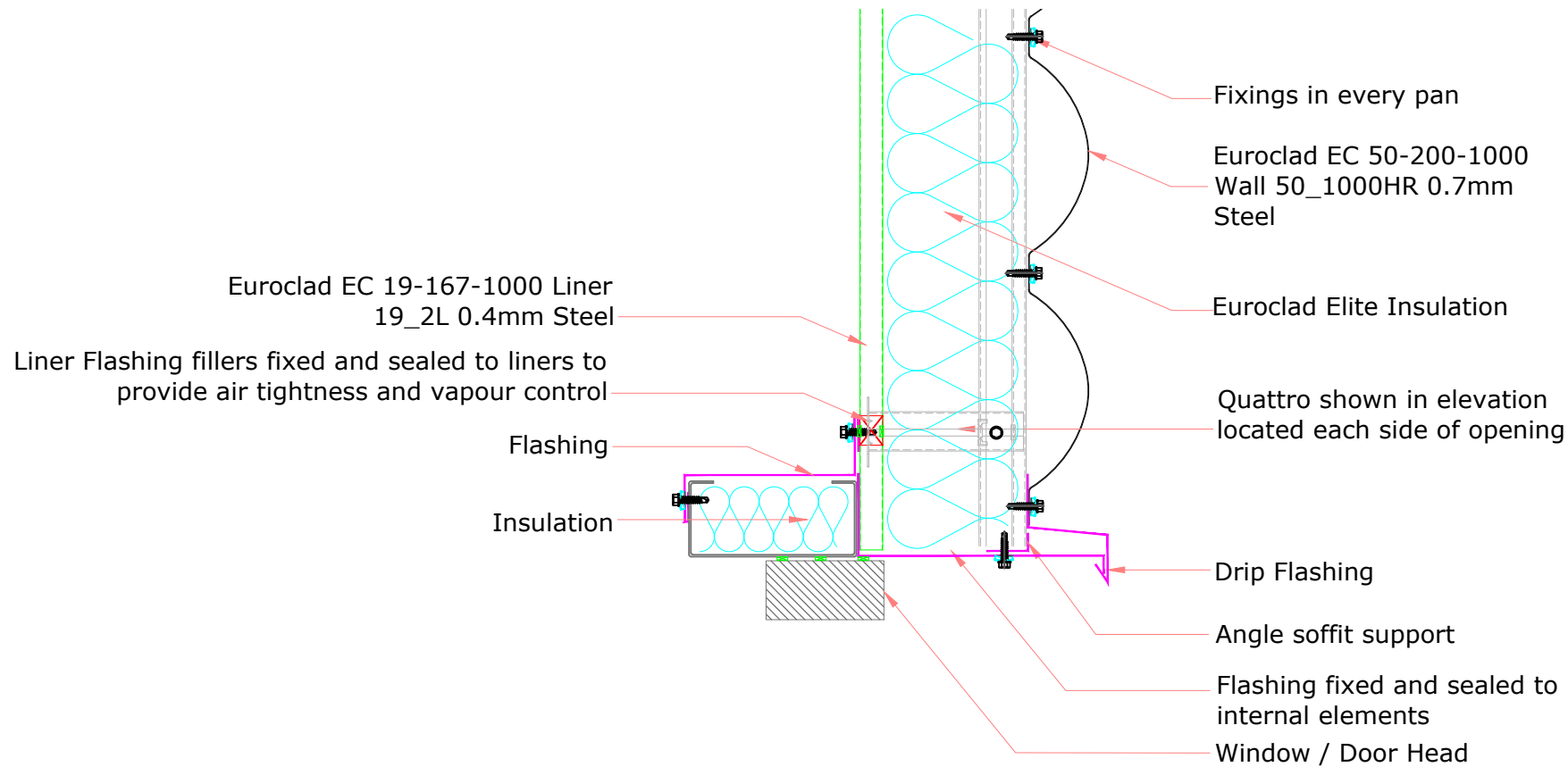
CHECK: MP

DATE: Jan 2020

SCALE: NTS

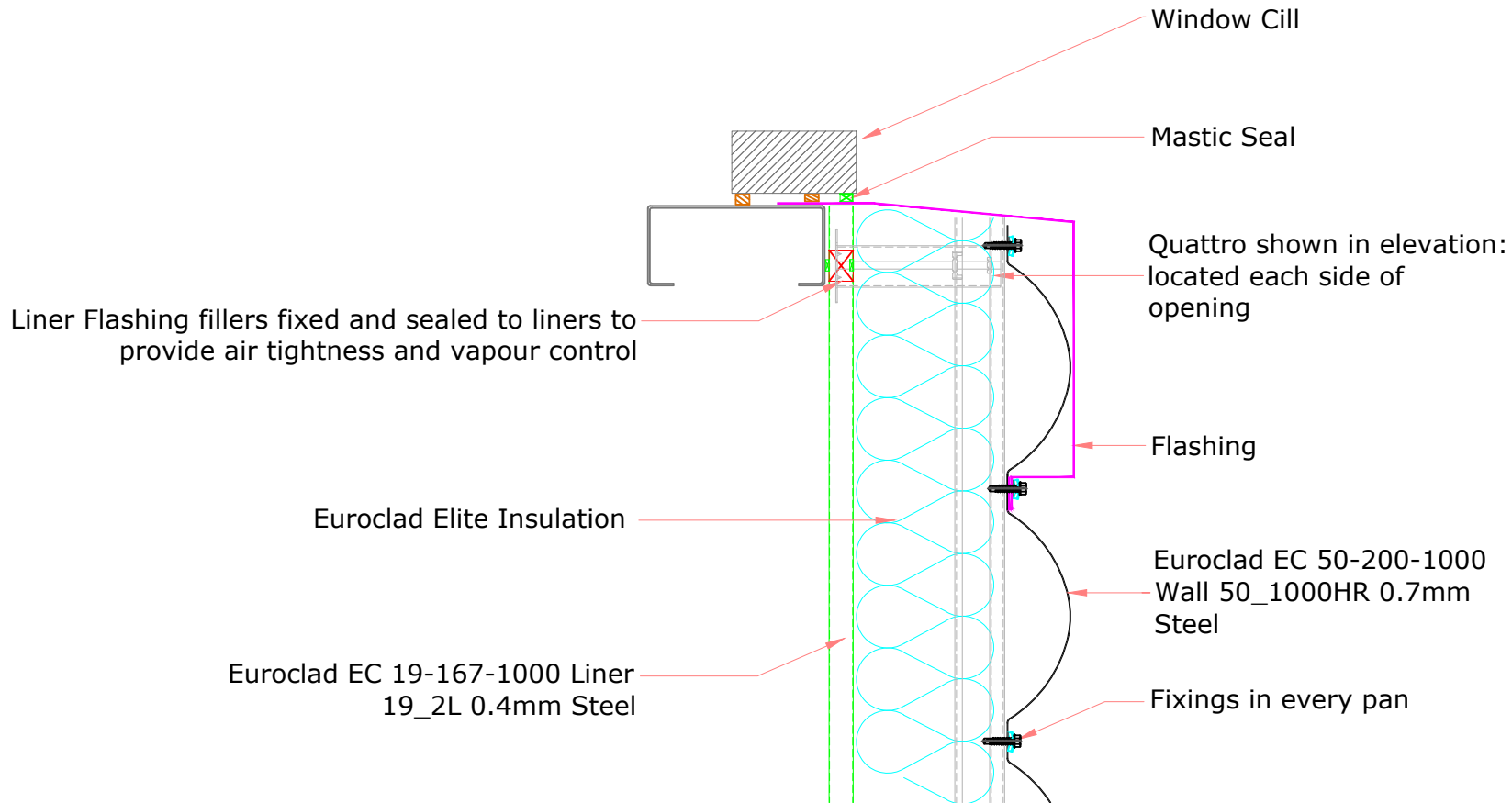
This draft drawing has been supplied by Euroclad Group Ltd for the purpose of guidance free of charge. It is a suggested typical detail and as such should not be assumed suitable for any specific project or application. No responsibility is assumed for errors or misinterpretations resulting from the information contained in the drawing. Details are for illustration only and no liability is accepted. We reserve the right to change the details without notice. The drawing is copyright, it remains our property.

To be read in conjunction with Elite System specification documents



This draft drawing has been supplied by Euroclad Group Ltd for the purpose of guidance free of charge. It is a suggested typical detail and as such should not be assumed suitable for any specific project or application. No responsibility is assumed for errors or misinterpretations resulting from the information contained in the drawing. Details are for illustration only and no liability is accepted. We reserve the right to change the details without notice. The drawing is copyright, it remains our property.

To be read in conjunction with Elite System specification documents



TITLE: Elite System 60

DWG NO: E60

DRAWN: CD

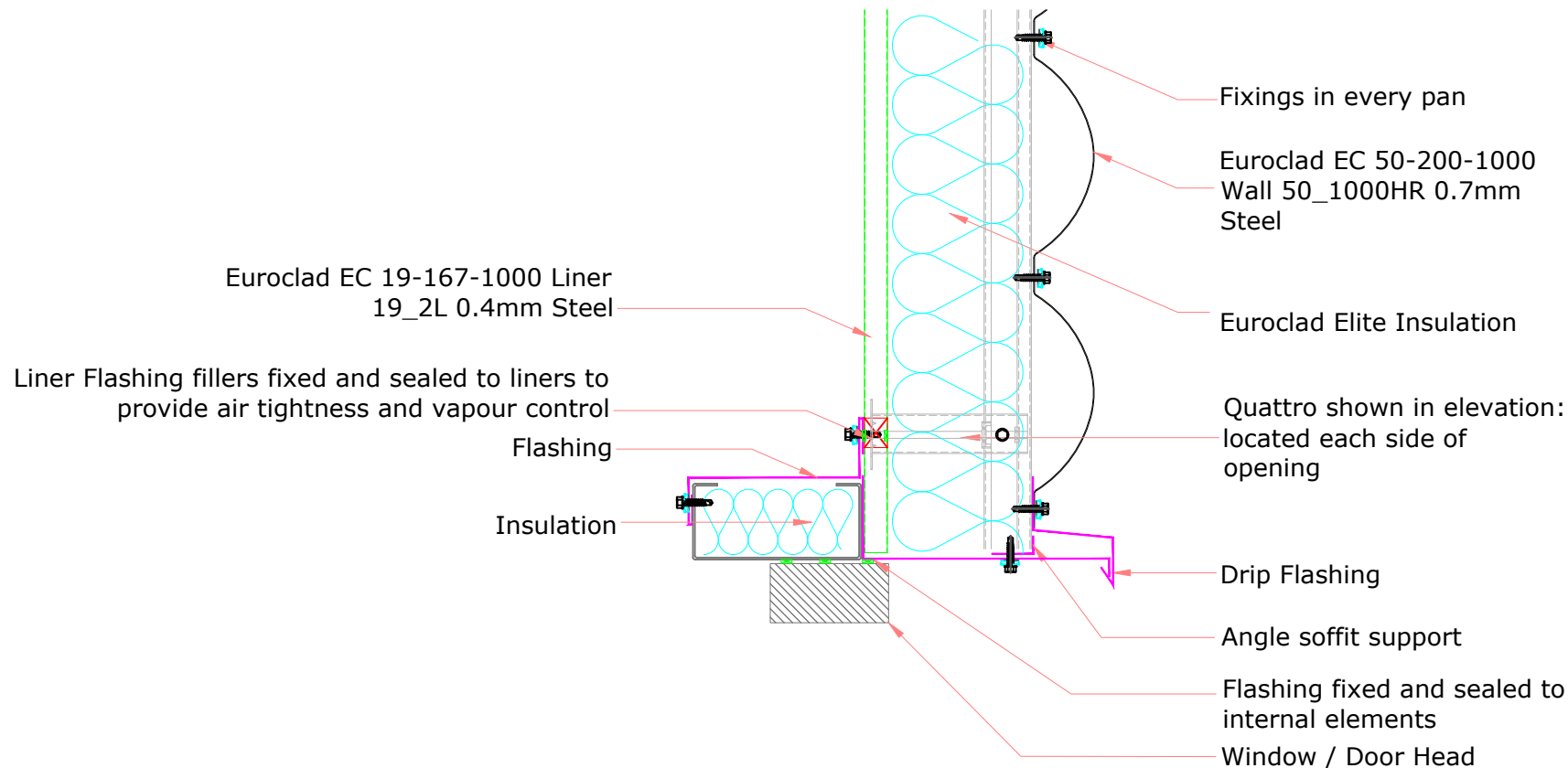
CHECK: MP

DATE: Jan 2020

SCALE: NTS

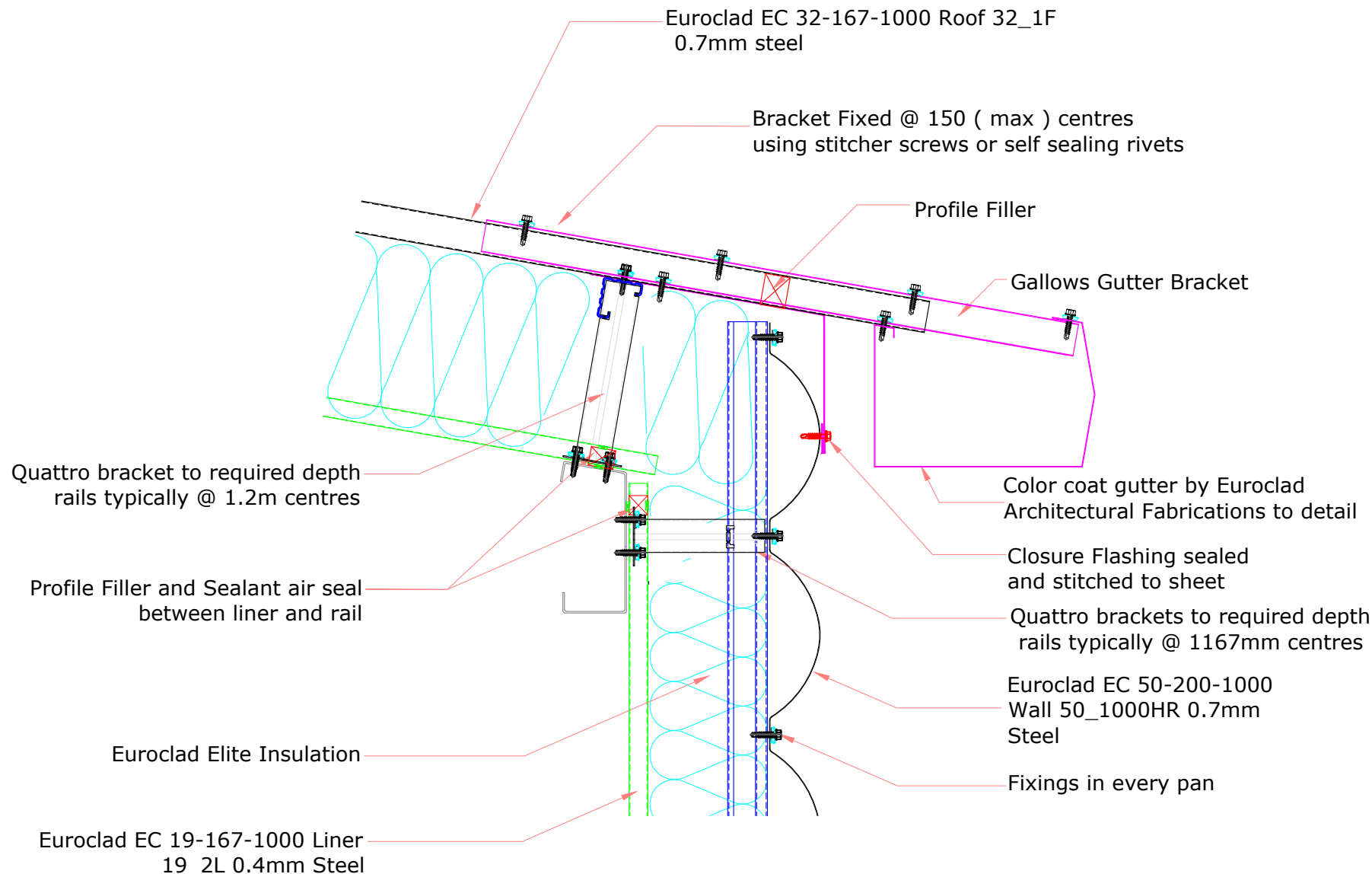
This draft drawing has been supplied by Euroclad Group Ltd for the purpose of guidance free of charge. It is a suggested typical detail and as such should not be assumed suitable for any specific project or application. No responsibility is assumed for errors or misinterpretations resulting from the information contained in the drawing. Details are for illustration only and no liability is accepted. We reserve the right to change the details without notice. The drawing is copyright, it remains our property.

To be read in conjunction with Elite System specification documents



This draft drawing has been supplied by Euroclad Group Ltd for the purpose of guidance free of charge. It is a suggested typical detail and as such should not be assumed suitable for any specific project or application. No responsibility is assumed for errors or misinterpretations resulting from the information contained in the drawing. Details are for illustration only and no liability is accepted. We reserve the right to change the details without notice. The drawing is copyright, it remains our property.

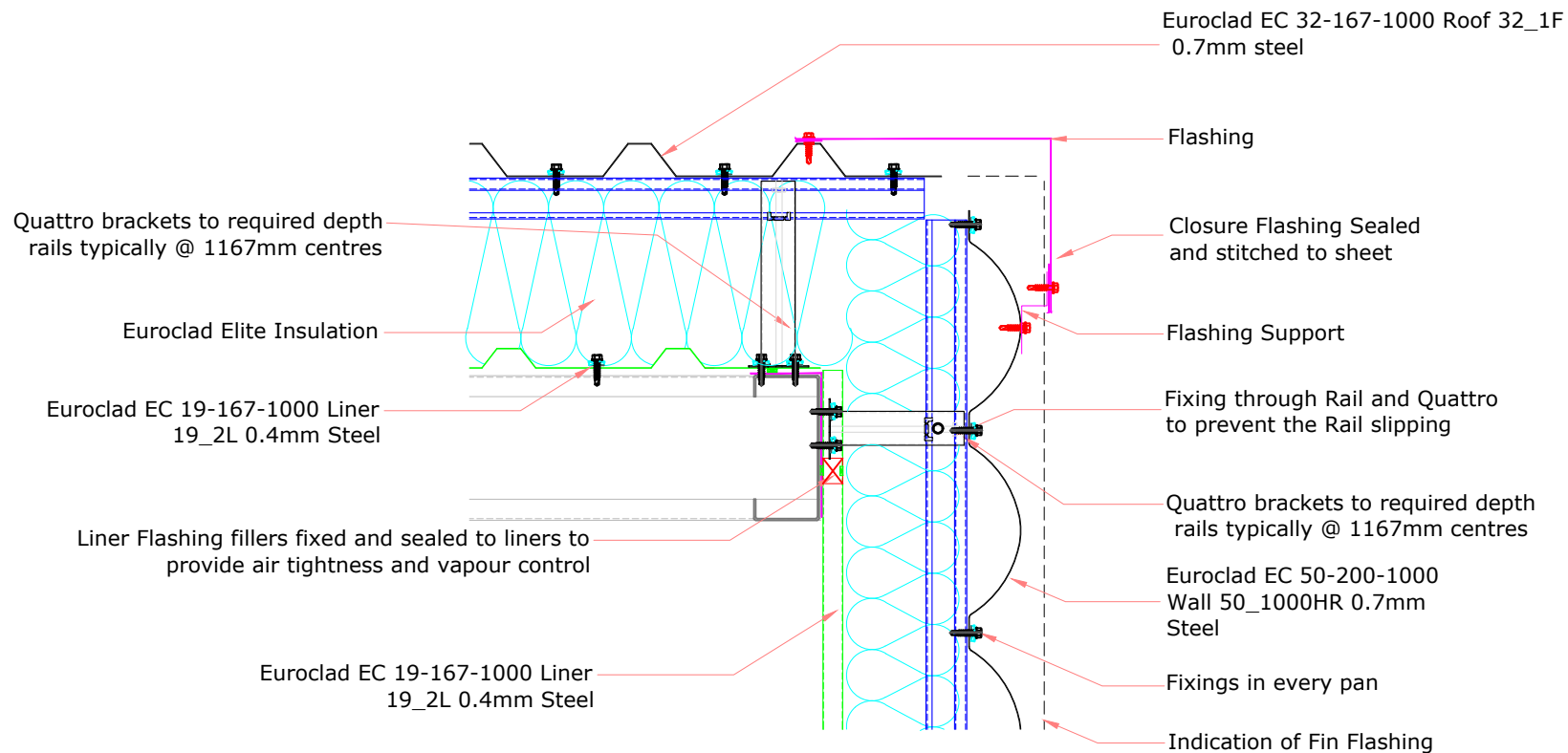
To be read in conjunction with Elite System specification documents



TITLE: Elite System 60
 DWG NO: E60
 DRAWN: CD
 CHECK: MP
 DATE: Jan 2020
 SCALE: NTS

This draft drawing has been supplied by Euroclad Group Ltd for the purpose of guidance free of charge. It is a suggested typical detail and as such should not be assumed suitable for any specific project or application. No responsibility is assumed for errors or misinterpretations resulting from the information contained in the drawing. Details are for illustration only and no liability is accepted. We reserve the right to change the details without notice. The drawing is copyright, it remains our property.

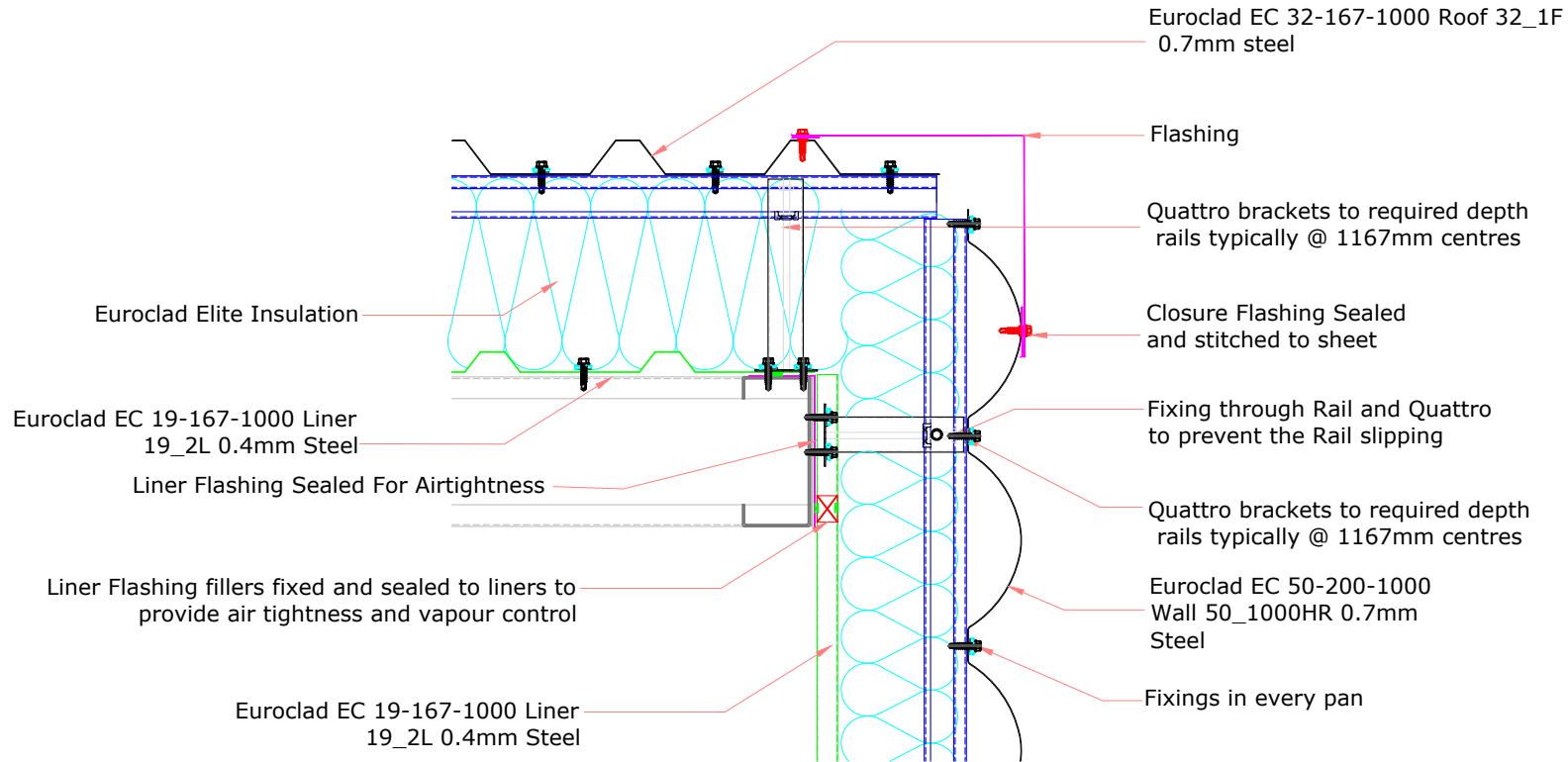
To be read in conjunction with Elite System specification documents



TITLE: Elite System 60
 DWG NO: E60
 DRAWN: CD
 CHECK: MP
 DATE: Jan 2020
 SCALE: NTS

This draft drawing has been supplied by Euroclad Group Ltd for the purpose of guidance free of charge. It is a suggested typical detail and as such should not be assumed suitable for any specific project or application. No responsibility is assumed for errors or misinterpretations resulting from the information contained in the drawing. Details are for illustration only and no liability is accepted. We reserve the right to change the details without notice. The drawing is copyright, it remains our property.

To be read in conjunction with Elite System specification documents



ELITE SYSTEMS

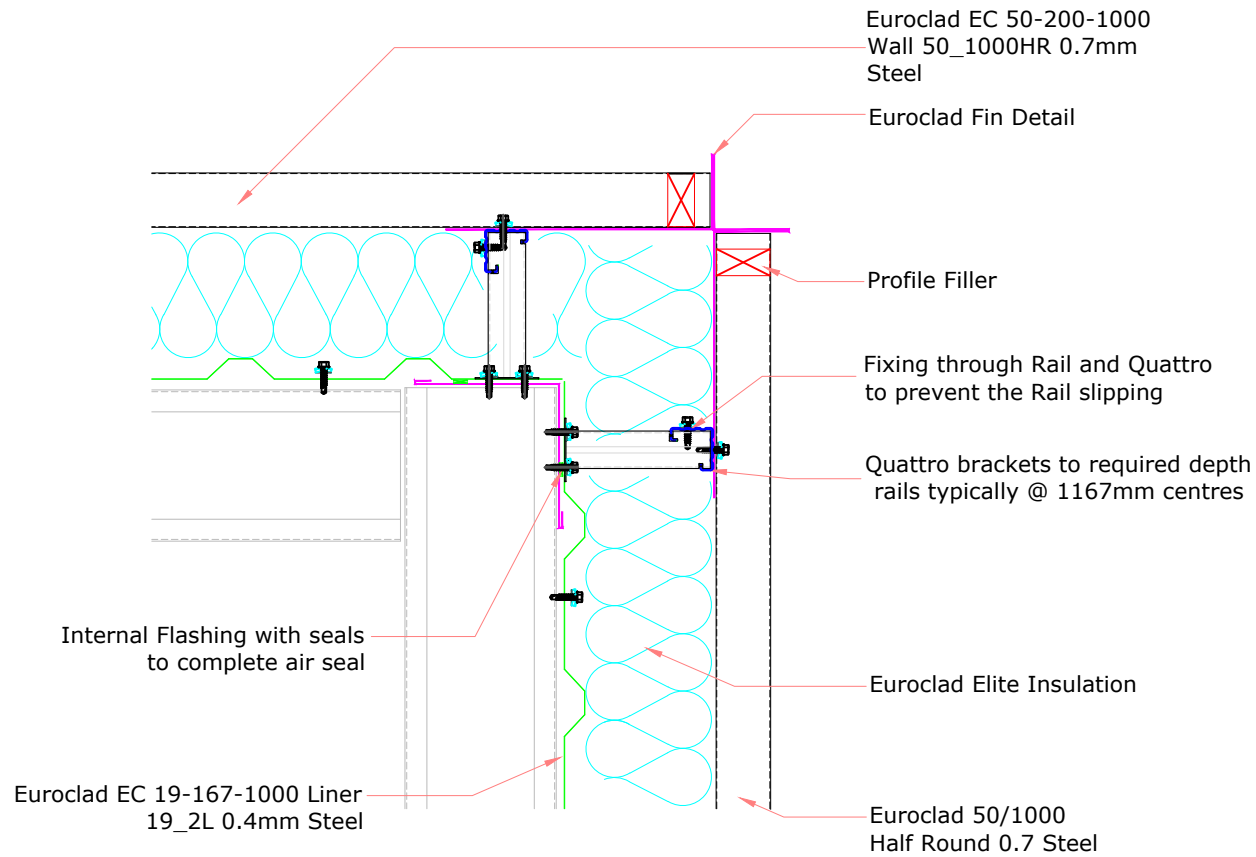


www.euroclad.com
 Tel: +44 (0)2922 010 101
 Fax: +44 (0)2922 010 122

TITLE: Elite System 60
 DWG NO: E60
 DRAWN: CD
 CHECK: MP
 DATE: Jan 2020
 SCALE: NTS

This draft drawing has been supplied by Euroclad Group Ltd for the purpose of guidance free of charge. It is a suggested typical detail and as such should not be assumed suitable for any specific project or application. No responsibility is assumed for errors or misinterpretations resulting from the information contained in the drawing. Details are for illustration only and no liability is accepted. We reserve the right to change the details without notice. The drawing is copyright, it remains our property.

To be read in conjunction with Elite System specification documents



ELITE SYSTEMS

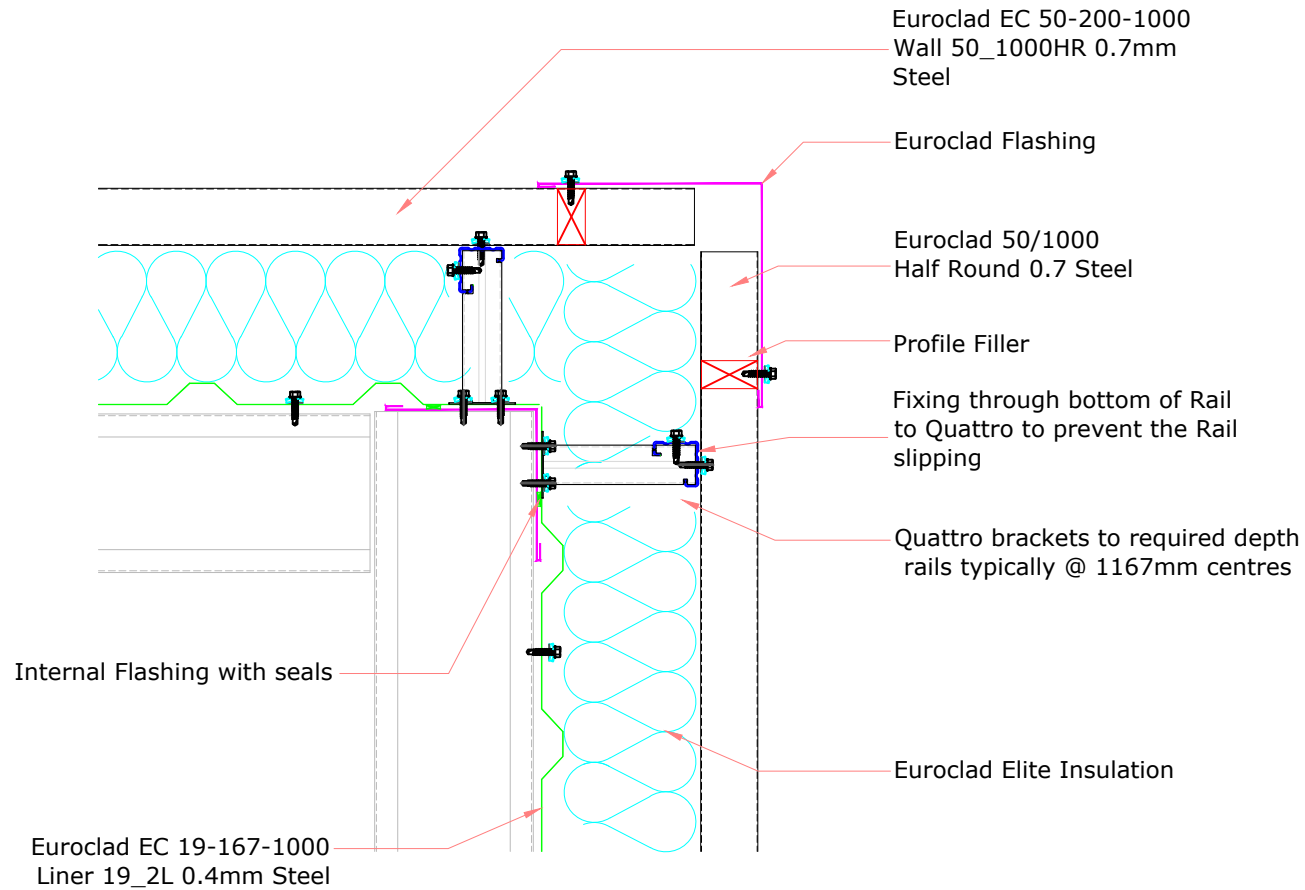


www.euroclad.com
Tel: +44 (0)2922 010 101
Fax: +44 (0)2922 010 122

TITLE: Elite System 60
DWG NO: E60
DRAWN: CD
CHECK: MP
DATE: Jan 2020
SCALE: NTS

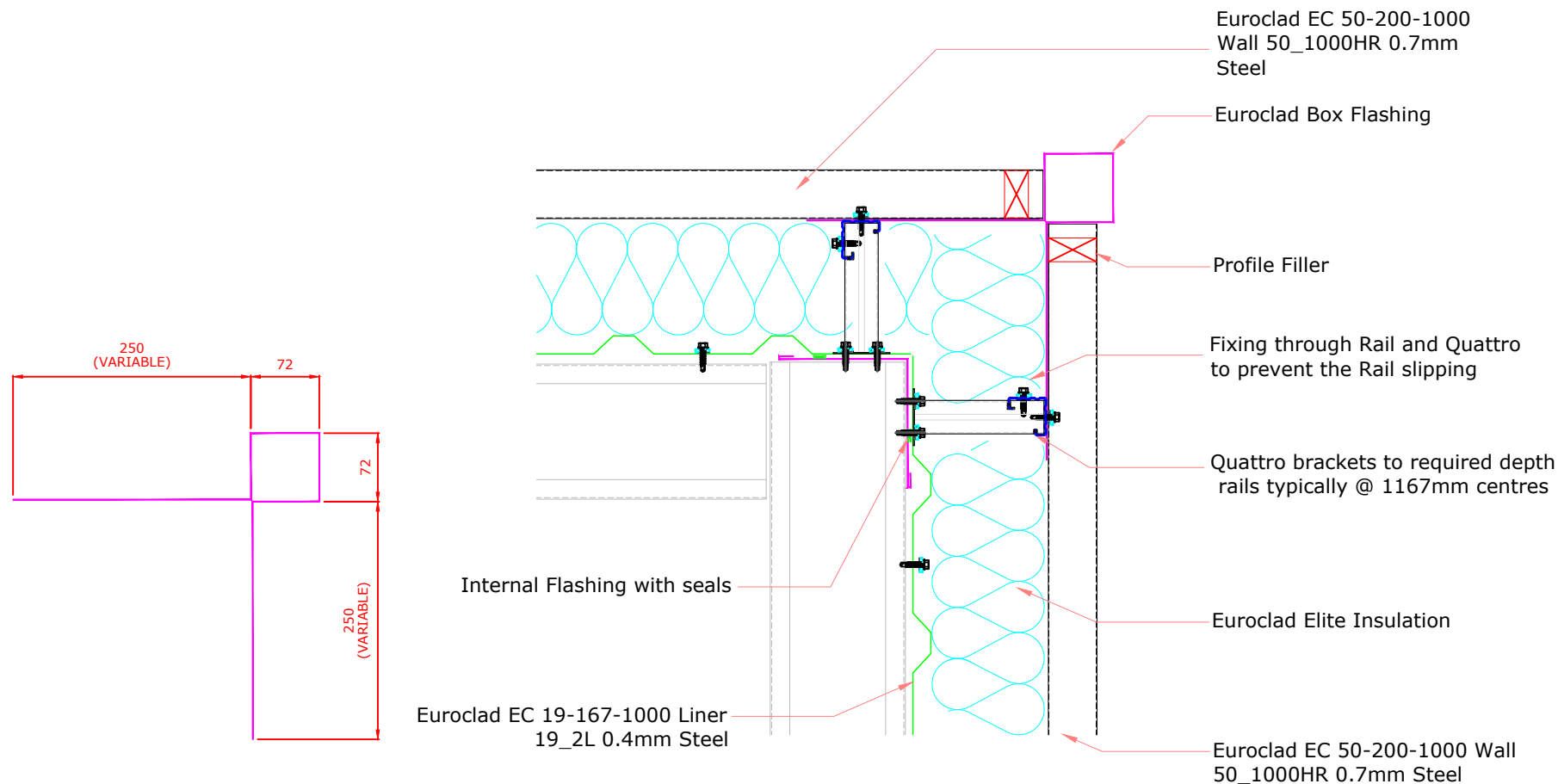
This draft drawing has been supplied by Euroclad Group Ltd for the purpose of guidance free of charge. It is a suggested typical detail and as such should not be assumed suitable for any specific project or application. No responsibility is assumed for errors or misinterpretations resulting from the information contained in the drawing. Details are for illustration only and no liability is accepted. We reserve the right to change the details without notice. The drawing is copyright, it remains our property.

To be read in conjunction with Elite System specification documents



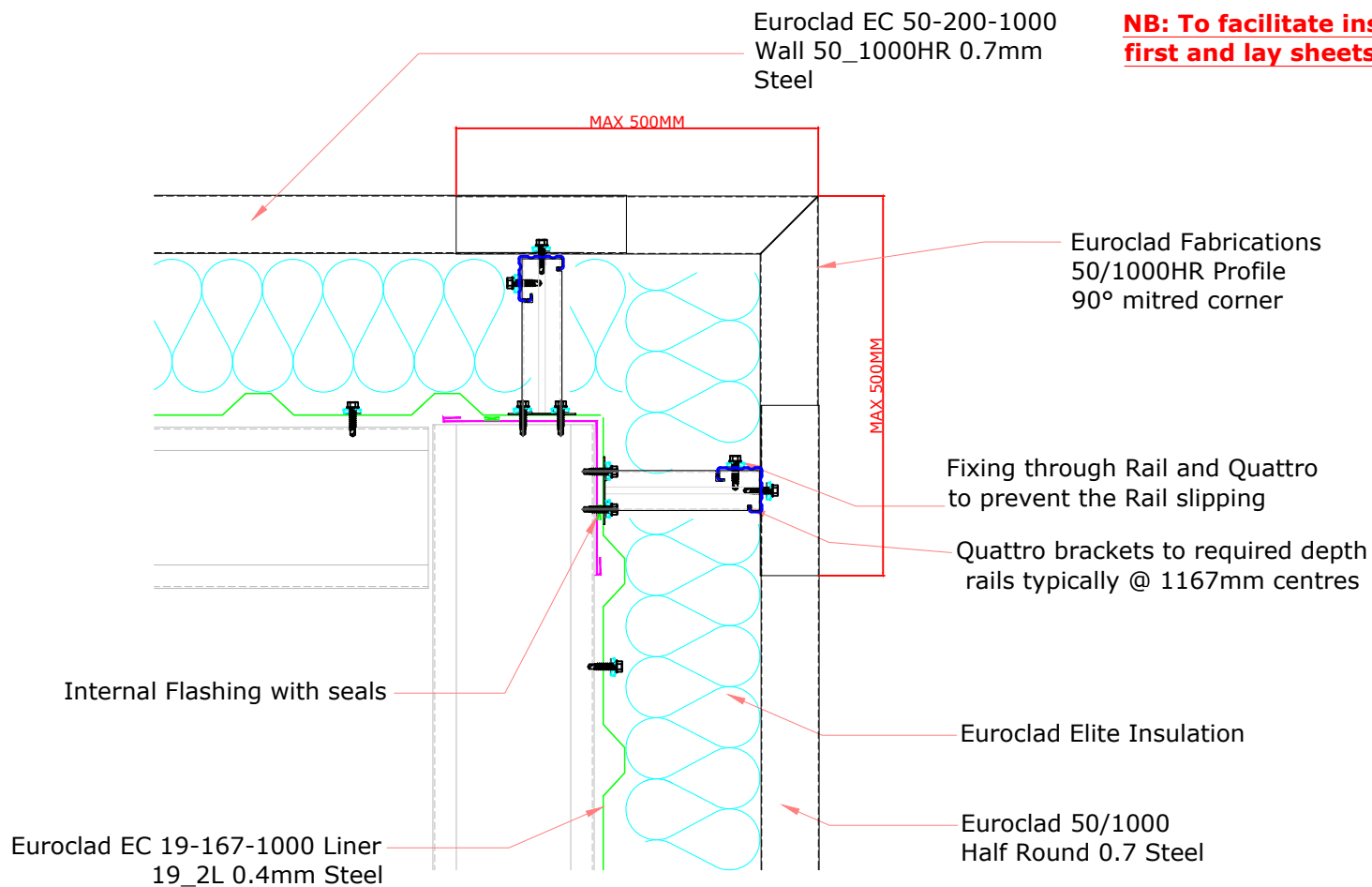
This draft drawing has been supplied by Euroclad Group Ltd for the purpose of guidance free of charge. It is a suggested typical detail and as such should not be assumed suitable for any specific project or application. No responsibility is assumed for errors or misinterpretations resulting from the information contained in the drawing. Details are for illustration only and no liability is accepted. We reserve the right to change the details without notice. The drawing is copyright, it remains our property.

To be read in conjunction with Elite System specification documents



This draft drawing has been supplied by Euroclad Group Ltd for the purpose of guidance free of charge. It is a suggested typical detail and as such should not be assumed suitable for any specific project or application. No responsibility is assumed for errors or misinterpretations resulting from the information contained in the drawing. Details are for illustration only and no liability is accepted. We reserve the right to change the details without notice. The drawing is copyright, it remains our property.

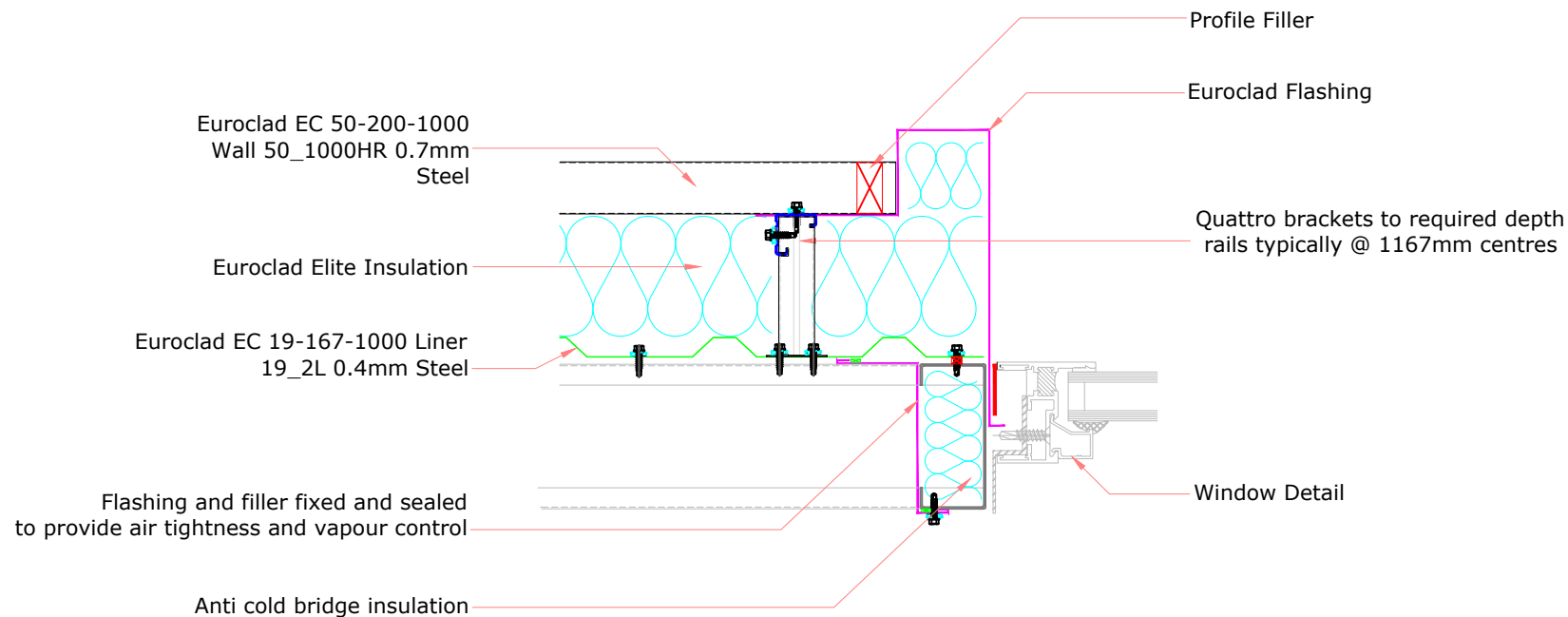
To be read in conjunction with Elite System specification documents



TITLE: Elite System 60
 DWG NO: E60
 DRAWN: CD
 CHECK: MP
 DATE: Jan 2020
 SCALE: NTS

This draft drawing has been supplied by Euroclad Group Ltd for the purpose of guidance free of charge. It is a suggested typical detail and as such should not be assumed suitable for any specific project or application. No responsibility is assumed for errors or misinterpretations resulting from the information contained in the drawing. Details are for illustration only and no liability is accepted. We reserve the right to change the details without notice. The drawing is copyright, it remains our property.

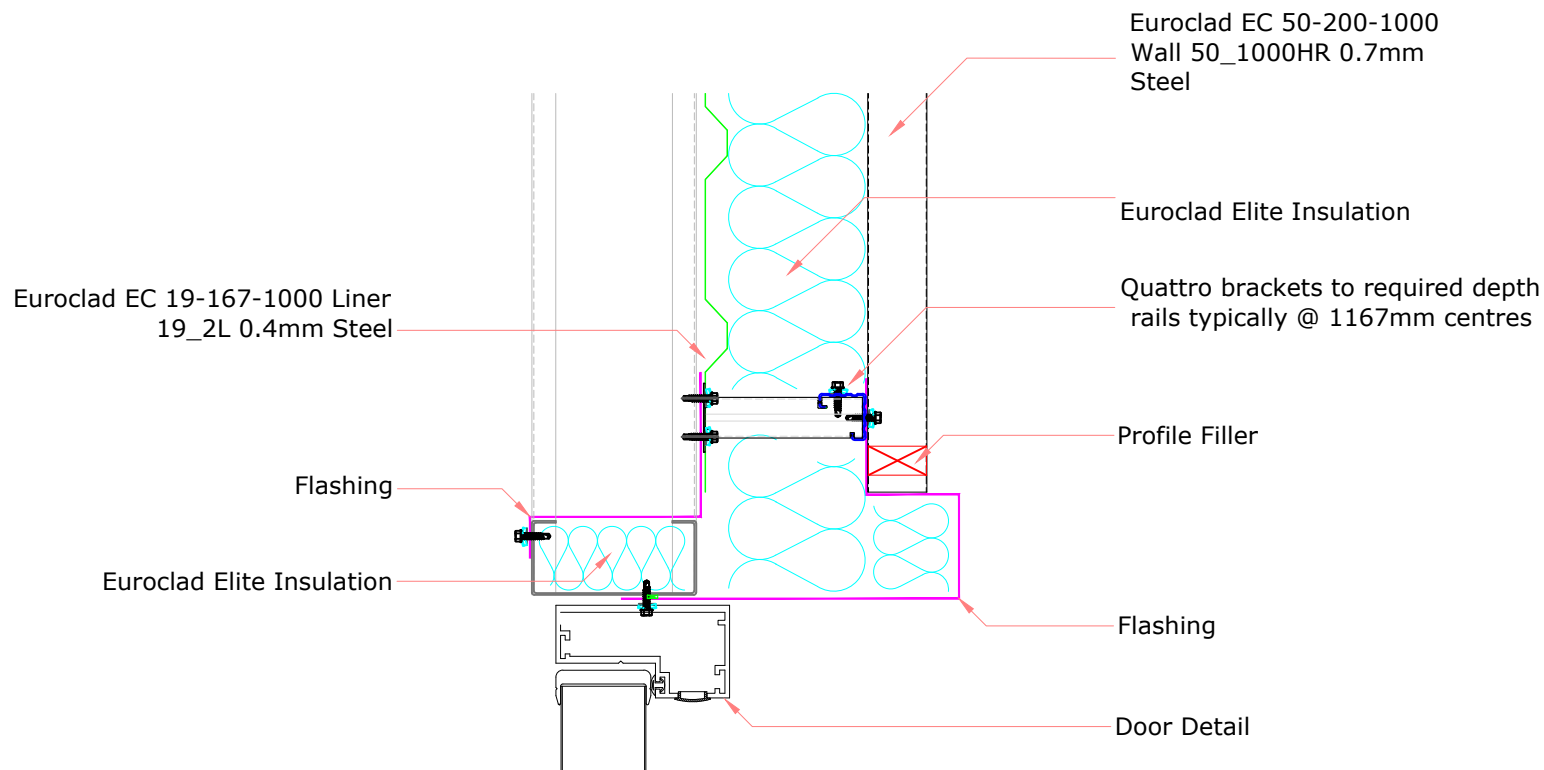
To be read in conjunction with Elite System specification documents



TITLE: Elite System 60
 DWG NO: E60
 DRAWN: CD
 CHECK: MP
 DATE: Jan 2020
 SCALE: NTS

This draft drawing has been supplied by Euroclad Group Ltd for the purpose of guidance free of charge. It is a suggested typical detail and as such should not be assumed suitable for any specific project or application. No responsibility is assumed for errors or misinterpretations resulting from the information contained in the drawing. Details are for illustration only and no liability is accepted. We reserve the right to change the details without notice. The drawing is copyright, it remains our property.

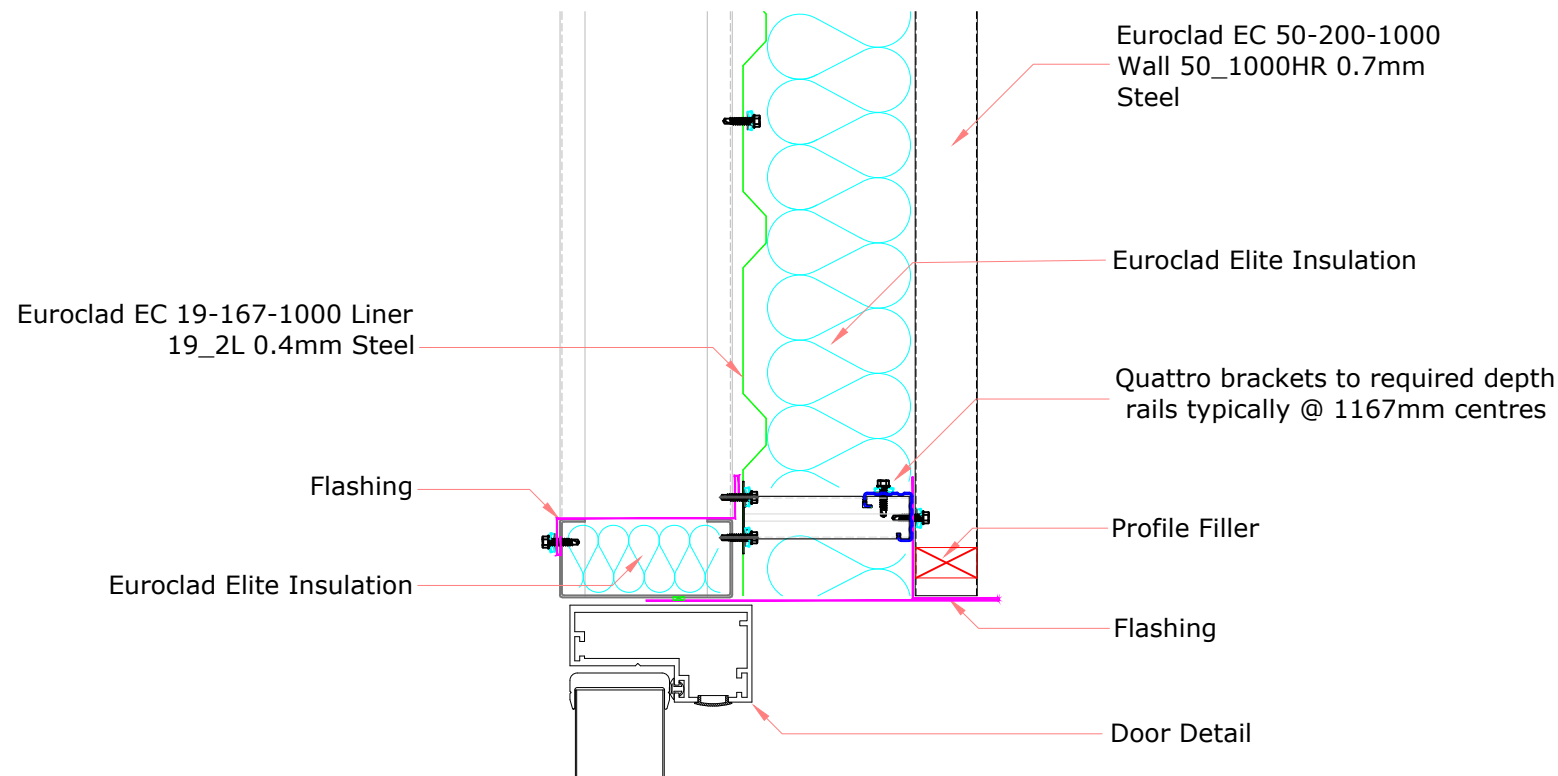
To be read in conjunction with Elite System specification documents



TITLE: Elite System 60
 DWG NO: E60
 DRAWN: CD
 CHECK: MP
 DATE: Jan 2020
 SCALE: NTS

This draft drawing has been supplied by Euroclad Group Ltd for the purpose of guidance free of charge. It is a suggested typical detail and as such should not be assumed suitable for any specific project or application. No responsibility is assumed for errors or misinterpretations resulting from the information contained in the drawing. Details are for illustration only and no liability is accepted. We reserve the right to change the details without notice. The drawing is copyright, it remains our property.

To be read in conjunction with Elite System specification documents

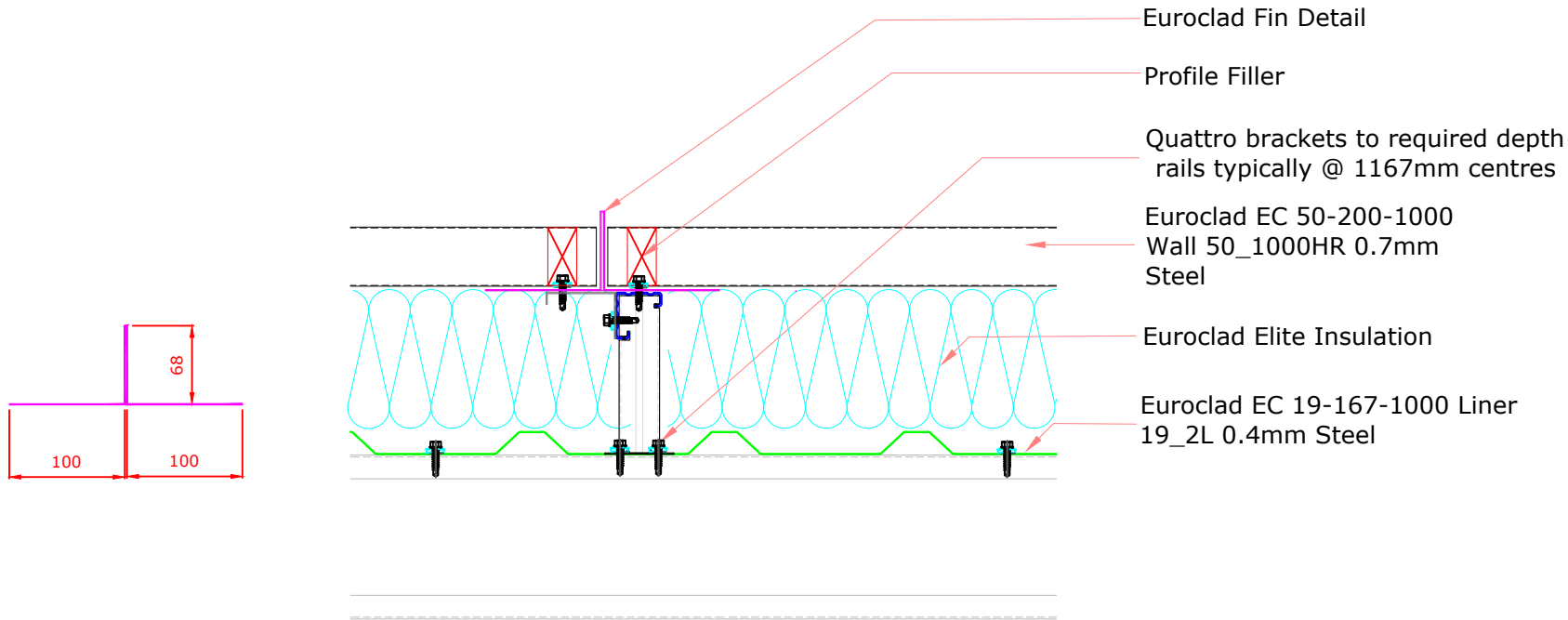


TITLE: Elite System 60
DWG NO: E60
DRAWN: CD
CHECK: MP
DATE: Jan 2020
SCALE: NTS

This draft drawing has been supplied by Euroclad Group Ltd for the purpose of guidance free of charge. It is a suggested typical detail and as such should not be assumed suitable for any specific project or application. No responsibility is assumed for errors or misinterpretations resulting from the information contained in the drawing. Details are for illustration only and no liability is accepted. We reserve the right to change the details without notice. The drawing is copyright, it remains our property.

To be read in conjunction with Elite System specification documents

ALLOW FOR ADJUSTMENT AND TOLERANCE



ELITE SYSTEMS



www.euroclad.com
Tel: +44 (0)2922 010 101
Fax: +44 (0)2922 010 122

TITLE: Elite System 60

DWG NO: E60

DRAWN: CD

CHECK: MP

DATE: Jan 2020

SCALE: NTS

This draft drawing has been supplied by Euroclad Group Ltd for the purpose of guidance free of charge. It is a suggested typical detail and as such should not be assumed suitable for any specific project or application. No responsibility is assumed for errors or misinterpretations resulting from the information contained in the drawing. Details are for illustration only and no liability is accepted. We reserve the right to change the details without notice. The drawing is copyright, it remains our property.

To be read in conjunction with Elite System specification documents

