

ELITE SYSTEMS



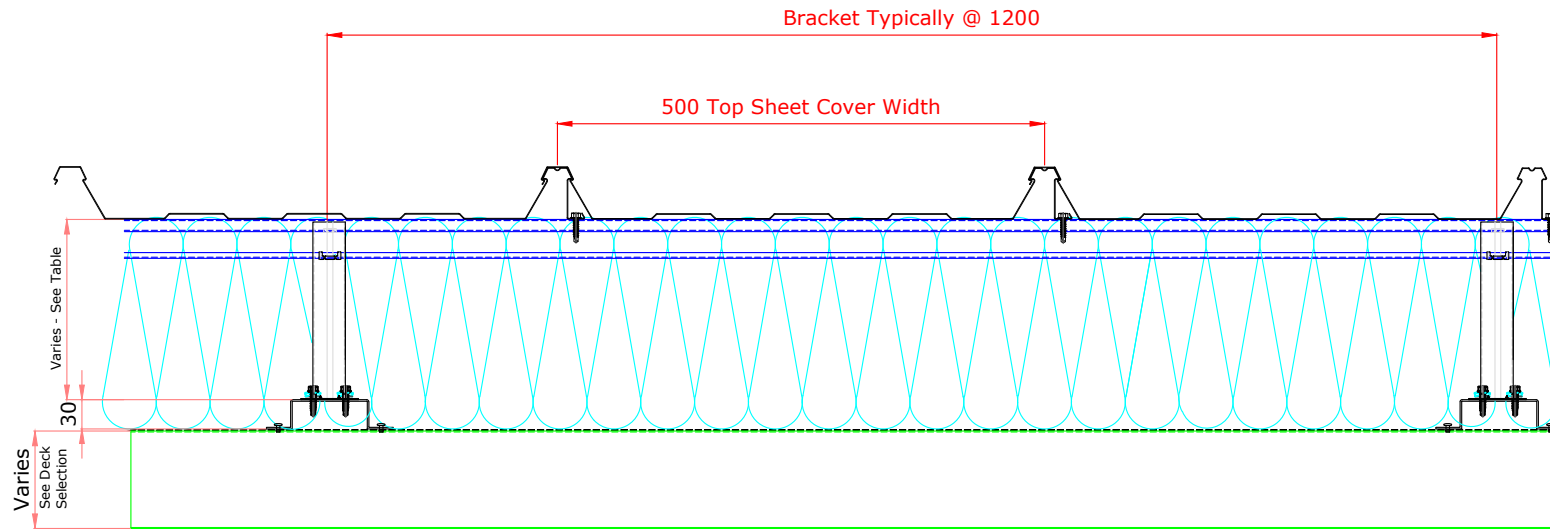
www.euroclad.com
 Tel: +44 (0)2922 010 101
 Fax: +44 (0)2922 010 122

TITLE: Elite System 6
 DWG NO: E6
 DRAWN: MP
 CHECK: PCL
 DATE: Feb 19
 SCALE: NTS

This draft drawing has been supplied by Euroclad Group Ltd for the purpose of guidance free of charge. It is a suggested typical detail and as such should not be assumed suitable for any specific project or application. No responsibility is assumed for errors or misinterpretations resulting from the information contained in the drawing. Details are for illustration only and no liability is accepted. We reserve the right to change the details without notice. The drawing is copyright, it remains our property.

See drawing number FR17 for non-fragile fixing requirements

To be read in conjunction with Elite System specification documents



Elite System 6

Bracket Height	Tophat Size	Cavity Depth	Insulation Thickness	Insulation Value	System Depth Excluding deck	U Value at 1.5M Centres	Nominal Weight/M ² #	
							Kn 40	RW
140mm	30mm	170mm	170*/180mm	0.040 λ	202mm	0.25	11.60 kg/m ²	14.30 kg/m ²
220mm	30mm	250mm	250mm*/260mm	0.040 λ	282mm	0.17	12.53 kg/m ²	16.28 kg/m ²
240mm	30mm	270mm	270mm*/280mm	0.040 λ	302mm	0.16	12.91 kg/m ²	16.84 kg/m ²
260mm	30mm	290mm	300mm	0.040 λ	322mm	0.15	13.17 kg/m ²	17.67 kg/m ²

Based on 0.7mm SF500, does not include deck

* Rockwool not available in standard thickness, weights calculated to next available thickness

Other U Values available please consult Euroclad

ELITE SYSTEMS



www.euroclad.com
Tel: +44 (0)2922 010 101
Fax: +44 (0)2922 010 122

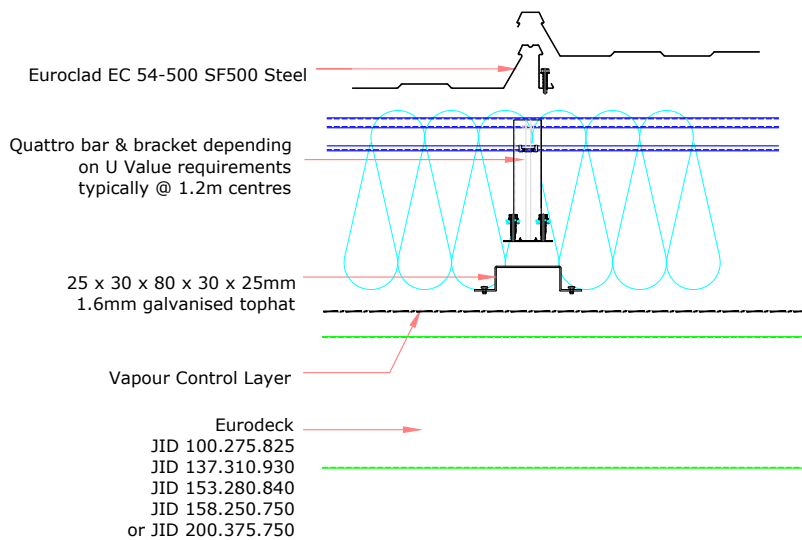
TITLE: Elite System 6
DWG NO: E6
DRAWN: MP
CHECK: PCL
DATE: Feb 19
SCALE: NTS

This draft drawing has been supplied by Euroclad Group Ltd for the purpose of guidance free of charge. It is a suggested typical detail and as such should not be assumed suitable for any specific project or application. No responsibility is assumed for errors or misinterpretations resulting from the information contained in the drawing. Details are for illustration only and no liability is accepted. We reserve the right to change the details without notice. The drawing is copyright, it remains our property.

See drawing number FR17 for non-fragile fixing requirements

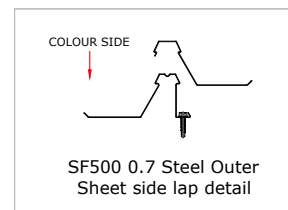
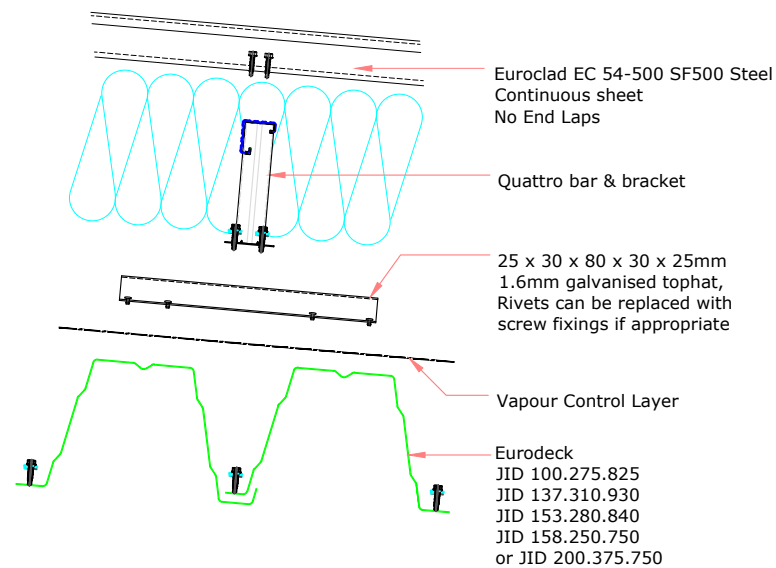
To be read in conjunction with Elite System specification documents

ELITE SYSTEM 6 SIDE LAP DETAIL



Tophat fixings
Rivets are recommended for gauges $\geq 0.7\text{mm} - 1.25\text{mm}$
Self drilling screws recommended for gauges $\geq 1.25\text{mm}$
Screw fixings specified for tophats can be replaced with rivets if required for aesthetics.
Rivets for illustration only.

ELITE SYSTEM 6 END DETAIL



ELITE SYSTEMS

EUROCLAD

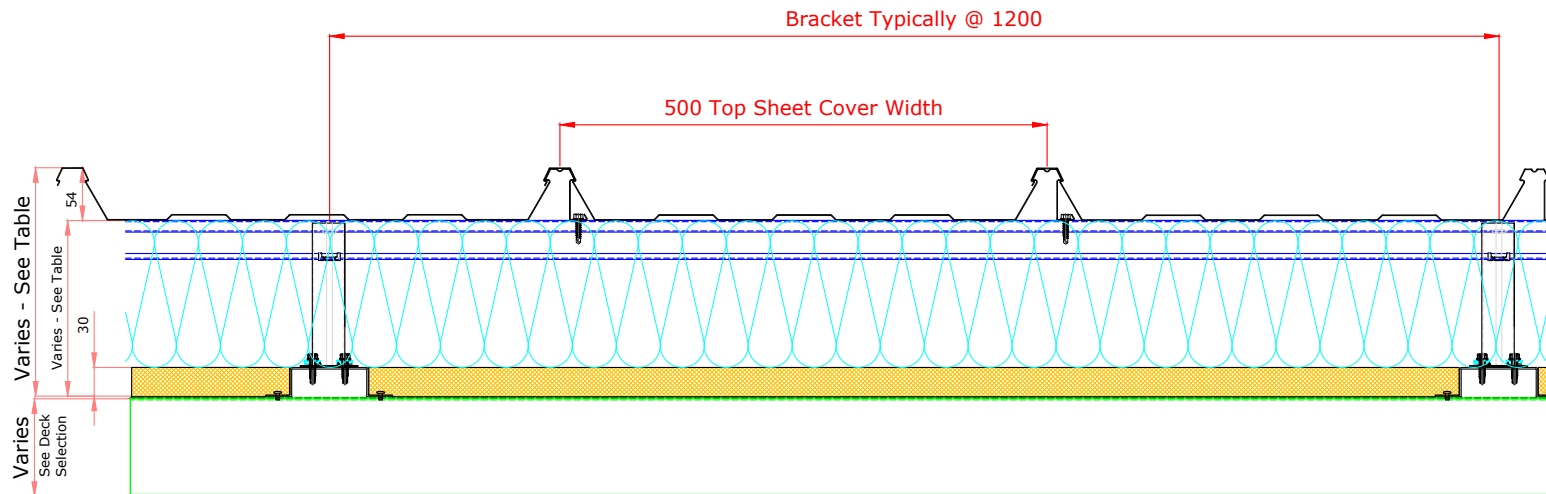
www.euroclad.com
Tel: +44 (0)2922 010 101
Fax: +44 (0)2922 010 122

TITLE: Elite System 6
DWG NO: E6
DRAWN: MP
CHECK: PCL
DATE: Feb 19
SCALE: NTS

This draft drawing has been supplied by Euroclad Group Ltd for the purpose of guidance free of charge. It is a suggested typical detail and as such should not be assumed suitable for any specific project or application. No responsibility is assumed for errors or misinterpretations resulting from the information contained in the drawing. Details are for illustration only and no liability is accepted. We reserve the right to change the details without notice. The drawing is copyright, it remains our property.

See drawing number FR17 for non-fragile fixing requirements

To be read in conjunction with Elite System specification documents



Elite System 6 A1

Bracket Height	Cavity Depth	Insulation Thickness	Insulation Value	System Depth Excluding deck	U Value at 1.5M Centres	Nominal Weight/M ² #	
						Kn 40	RW
140mm	170mm	150*/140 + 30mm	0.040 λ	224mm	0.25	12.54Kg/m ²	15.24Kg/m ²
220mm	250mm	220mm + 30mm	0.040 λ	304mm	0.17	13.58Kg/m ²	17.48Kg/m ²
240mm	270mm	240mm + 30mm	0.040 λ	324mm	0.16	13.84Kg/m ²	18.04Kg/m ²
260mm	290mm	260mm + 30mm	0.040 λ	344mm	0.15	14.10Kg/m ²	18.60Kg/m ²

Based on 0.7mm SF500, does not include deck

* Rockwool not available in standard thickness, weights calculated to next available thickness

Other U Values available please consult Euroclad

The Elite A1 systems onto structural deck achieve a **Class D** sound absorption performance.

ELITE SYSTEMS



www.euroclad.com
Tel: +44 (0)2922 010 101
Fax: +44 (0)2922 010 122

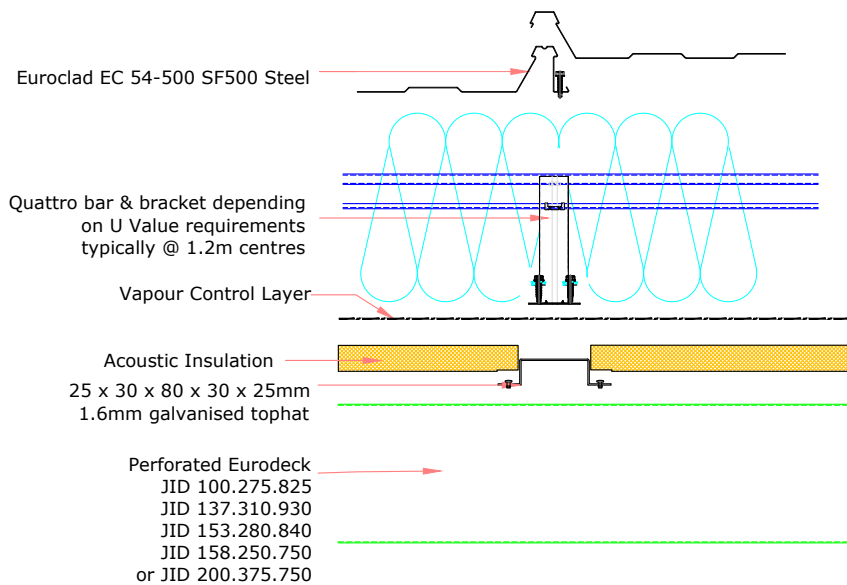
TITLE: Elite System 6
DWG NO: E6
DRAWN: MP
CHECK: PCL
DATE: Feb 19
SCALE: NTS

This draft drawing has been supplied by Euroclad Group Ltd for the purpose of guidance free of charge. It is a suggested typical detail and as such should not be assumed suitable for any specific project or application. No responsibility is assumed for errors or misinterpretations resulting from the information contained in the drawing. Details are for illustration only and no liability is accepted. We reserve the right to change the details without notice. The drawing is copyright, it remains our property.

See drawing number FR17 for non-fragile fixing requirements

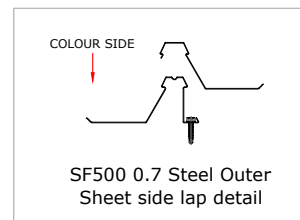
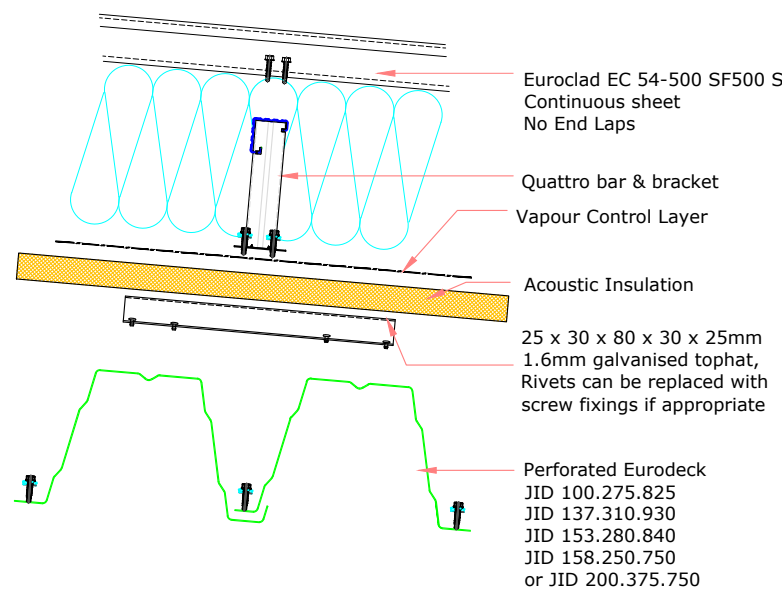
To be read in conjunction with Elite System specification documents

ELITE SYSTEM 6 SIDE LAP DETAIL



Tophat fixings
Rivets are recommended for gauges \leq 0.7mm - 1.25mm
Self drilling screws recommended for gauges $>$ 1.25mm
Screw fixings specified for tophats can be replaced with rivets if required for aesthetics.
Rivets for illustration only.

ELITE SYSTEM 6 END LAP DETAIL
TOPSHEET DOES NOT END LAP



ELITE SYSTEMS



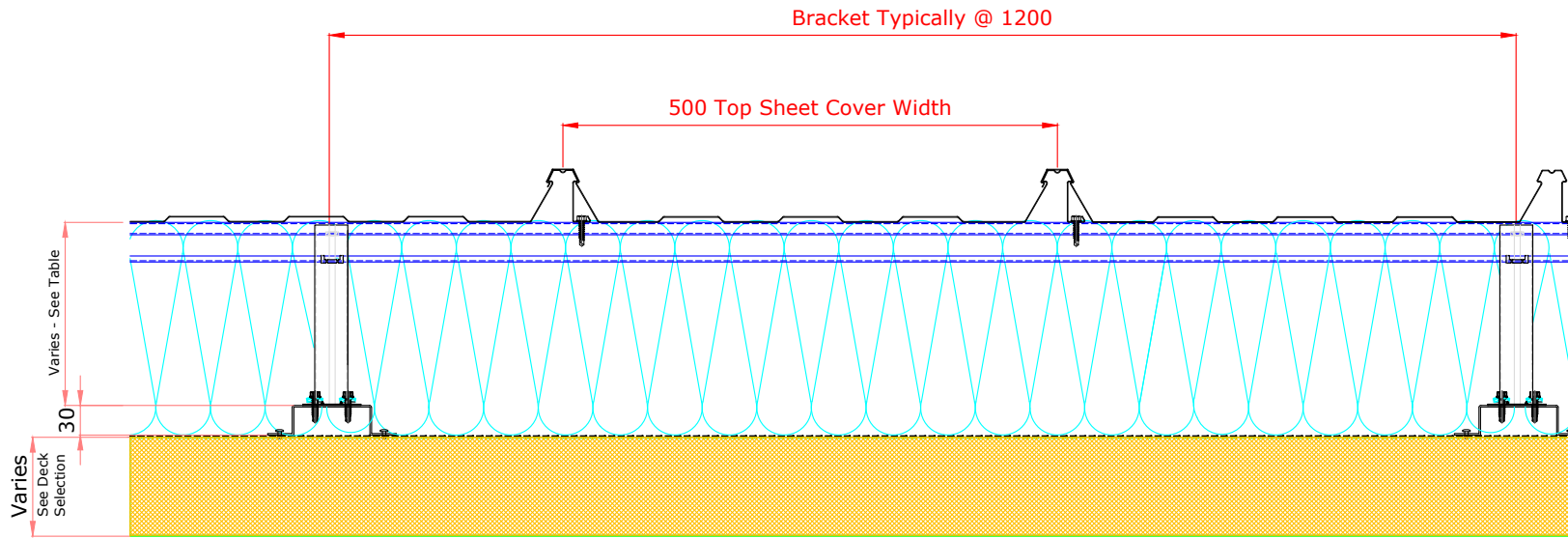
www.euroclad.com
 Tel: +44 (0)2922 010 101
 Fax: +44 (0)2922 010 122

TITLE: Elite System 6
 DWG NO: E6
 DRAWN: MP
 CHECK: PCL
 DATE: Feb 19
 SCALE: NTS

This draft drawing has been supplied by Euroclad Group Ltd for the purpose of guidance free of charge. It is a suggested typical detail and as such should not be assumed suitable for any specific project or application. No responsibility is assumed for errors or misinterpretations resulting from the information contained in the drawing. Details are for illustration only and no liability is accepted. We reserve the right to change the details without notice. The drawing is copyright, it remains our property.

See drawing number FR17 for non-fragile fixing requirements

To be read in conjunction with Elite System specification documents



Elite System 6 A2

Bracket Height	Cavity Depth	Insulation Thickness	Insulation Value	System Depth Excluding deck	U Value at 1.5M Centres	Nominal Weight/M ²	
						Kn 40	RW
140mm	170mm	170mm*/180mm	0.040 λ	224mm	0.25	17.97kg/m ²	20.94kg/m ²
220mm	250mm	250mm*/260mm	0.040 λ	304mm	0.17	18.86kg/m ²	23.15kg/m ²
240mm	270mm	270mm*/280mm	0.040 λ	324mm	0.16	19.08kg/m ²	23.70kg/m ²
260mm	290mm	300mm	0.040 λ	344mm	0.15	19.30kg/m ²	24.25kg/m ²

Weight not including deck

* Rockwool Cladding Roll only

Other u-values by request

The Elite A2 systems onto structural deck achieve a **Class C** sound absorption performance.

ELITE SYSTEMS



www.euroclad.com
 Tel: +44 (0)2922 010 101
 Fax: +44 (0)2922 010 122

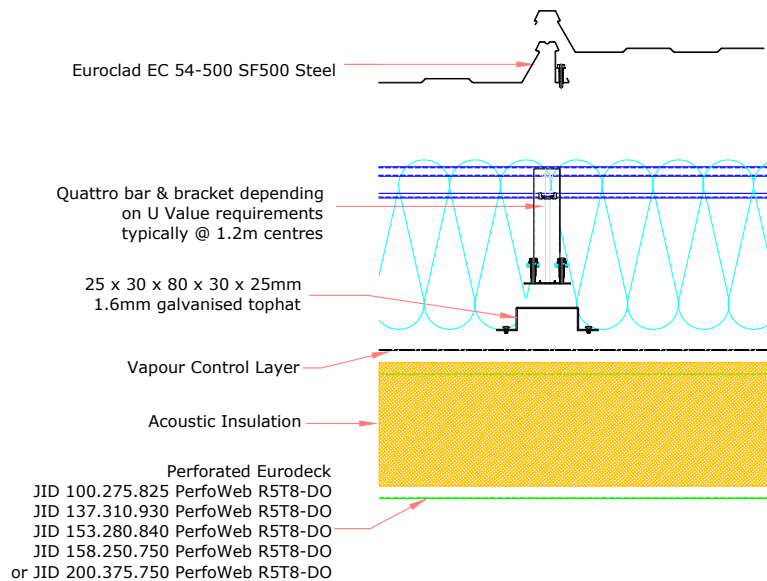
TITLE: Elite System 6
 DWG NO: E6
 DRAWN: MP
 CHECK: PCL
 DATE: Feb 19
 SCALE: NTS

This draft drawing has been supplied by Euroclad Group Ltd for the purpose of guidance free of charge. It is a suggested typical detail and as such should not be assumed suitable for any specific project or application. No responsibility is assumed for errors or misinterpretations resulting from the information contained in the drawing. Details are for illustration only and no liability is accepted. We reserve the right to change the details without notice. The drawing is copyright, it remains our property.

See drawing number FR17 for non-fragile fixing requirements

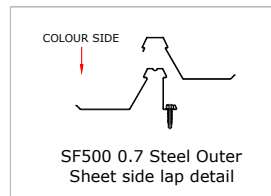
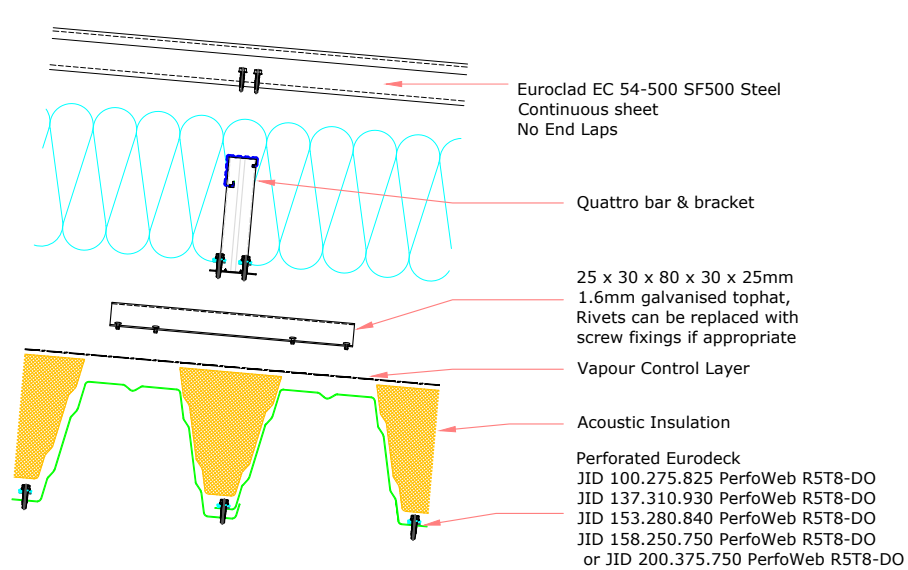
To be read in conjunction with Elite System specification documents

ELITE SYSTEM 6 SIDE LAP DETAIL

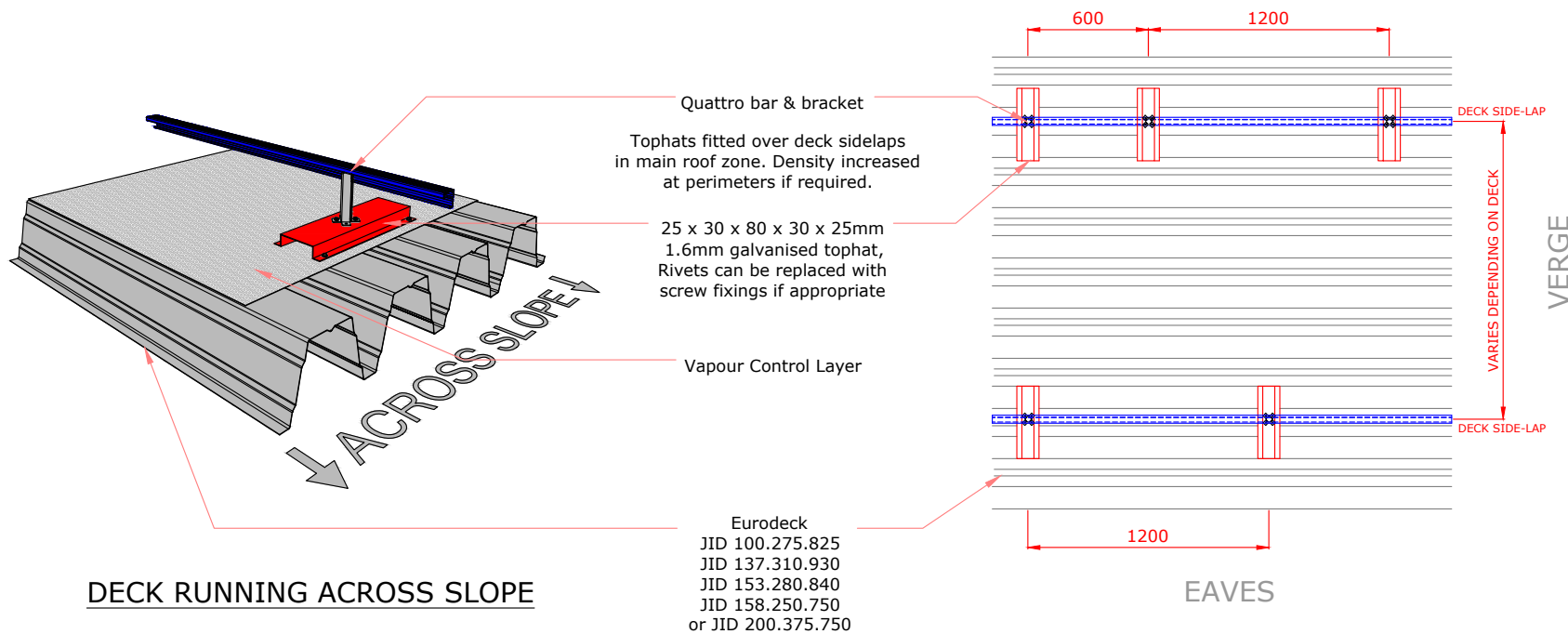


Tophat fixings
 Rivets are recommended for gauges \geq .7mm - 1.25mm
 Self drilling screws recommended for gauges \geq 1.25mm
 Screw fixings specified for tophats can be replaced with rivets if required for aesthetics.
 Rivets for illustration only.

ELITE SYSTEM 6 END LAP DETAIL
TOPSHEET DOES NOT END LAP



The distributed load from the external sheet is transferred through the spacer system and tophats to the deck. The tophats as illustrated allow the load to be distributed to each and every deck sheet, avoiding any 1 sheet taking all of the load. It also allows spacer rails to be fitted to the deck in straight rows (rather than diagonal). The use of tophats c400mm long allows for ease of installation on curved roofs. In most cases the maximum spacing achieved will not cause any issues for the external sheet load/span capacity. However, some deck sheets with larger widths will result in centres which may become problematic for the external sheet span ie 1120 wide deck giving centres of 2.240M. In such cases other deck profiles should be considered or the use of longer tophats to allow closer centres for the spacer rails to be achieved. In all cases the external sheet load should be distributed to all deck sheets.



Tophat and Rail centres Upslope determined by loadings and deck cover-width. Typically fixed on each deck sheet for approx 2M from eaves & ridge line and then straddling the deck sidelap in main roof zones at 2 x deck coverwidth. Tophat/Bracket centres along rail determined by loading but typically at 1.2M

ELITE SYSTEMS



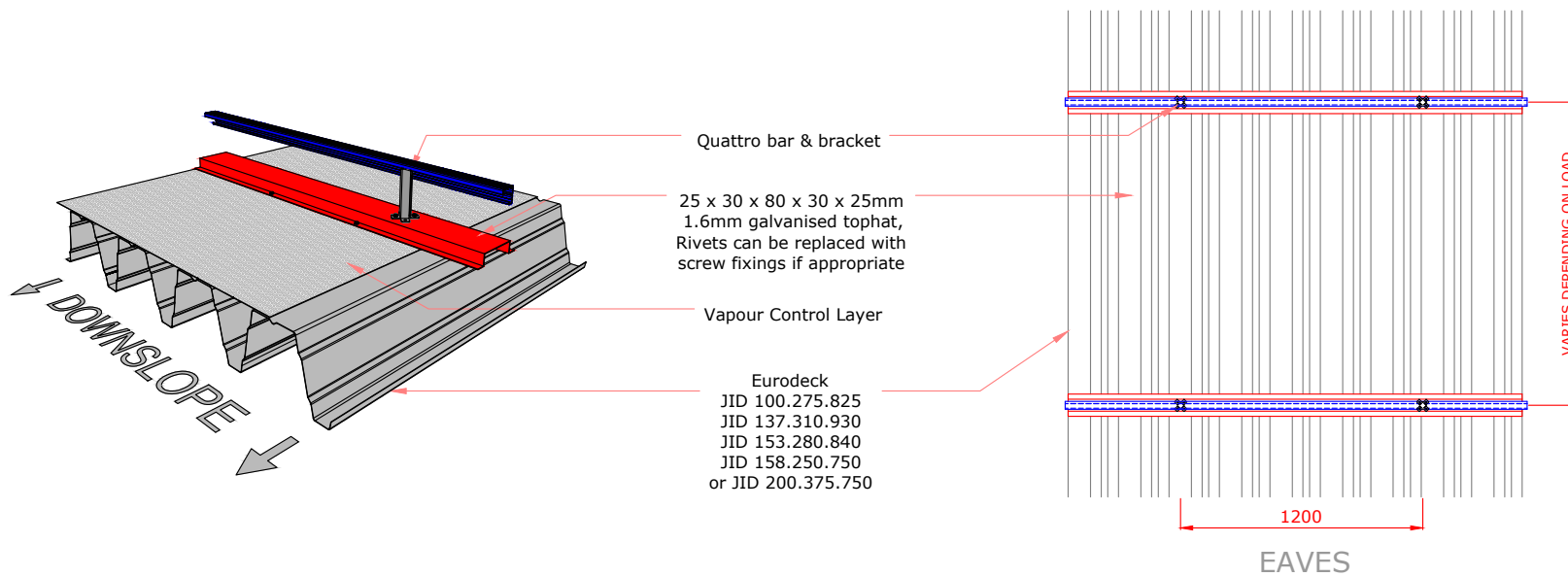
www.euroclad.com
Tel: +44 (0)2922 010 101
Fax: +44 (0)2922 010 122

TITLE: Elite System 6
DWG NO: E6
DRAWN: MP
CHECK: PCL
DATE: Feb 19
SCALE: NTS

This draft drawing has been supplied by Euroclad Group Ltd for the purpose of guidance free of charge. It is a suggested typical detail and as such should not be assumed suitable for any specific project or application. No responsibility is assumed for errors or misinterpretations resulting from the information contained in the drawing. Details are for illustration only and no liability is accepted. We reserve the right to change the details without notice. The drawing is copyright, it remains our property.

See drawing number FR17 for non-fragile fixing requirements

To be read in conjunction with Elite System specification documents



ELITE SYSTEMS

EUROCLAD

www.euroclad.com
Tel: +44 (0)2922 010 101
Fax: +44 (0)2922 010 122

EUROCLAD EC 54-500 SF500 EXTERNAL SHEET

TITLE: Elite System 6

DWG NO: E6

DRAWN: MP

CHECK: PCL

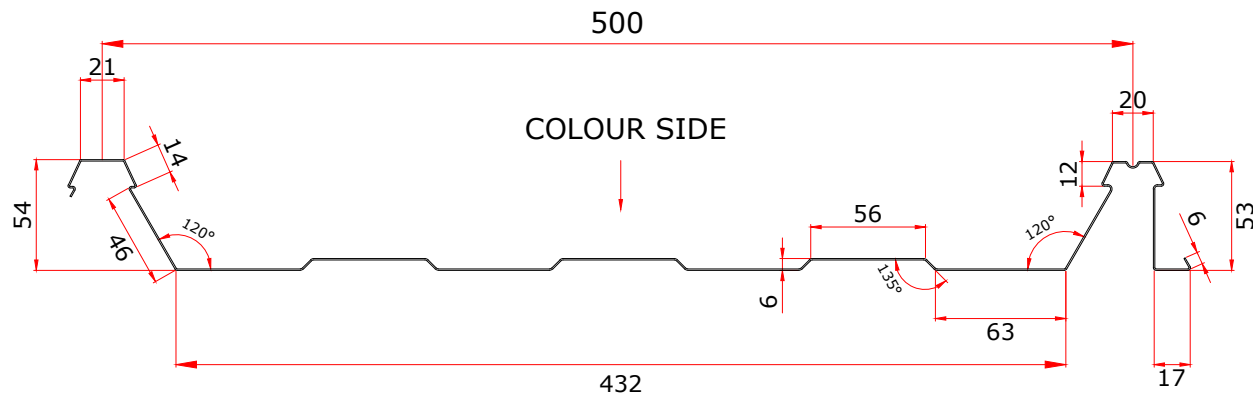
DATE: Feb 19

SCALE: NTS

This draft drawing has been supplied by Euroclad Group Ltd for the purpose of guidance free of charge. It is a suggested typical detail and as such should not be assumed suitable for any specific project or application. No responsibility is assumed for errors or misinterpretations resulting from the information contained in the drawing. Details are for illustration only and no liability is accepted. We reserve the right to change the details without notice. The drawing is copyright, it remains our property.

See drawing number FR17 for non-fragile fixing requirements

To be read in conjunction with Elite System specification documents



ELITE SYSTEMS

EUROCLAD

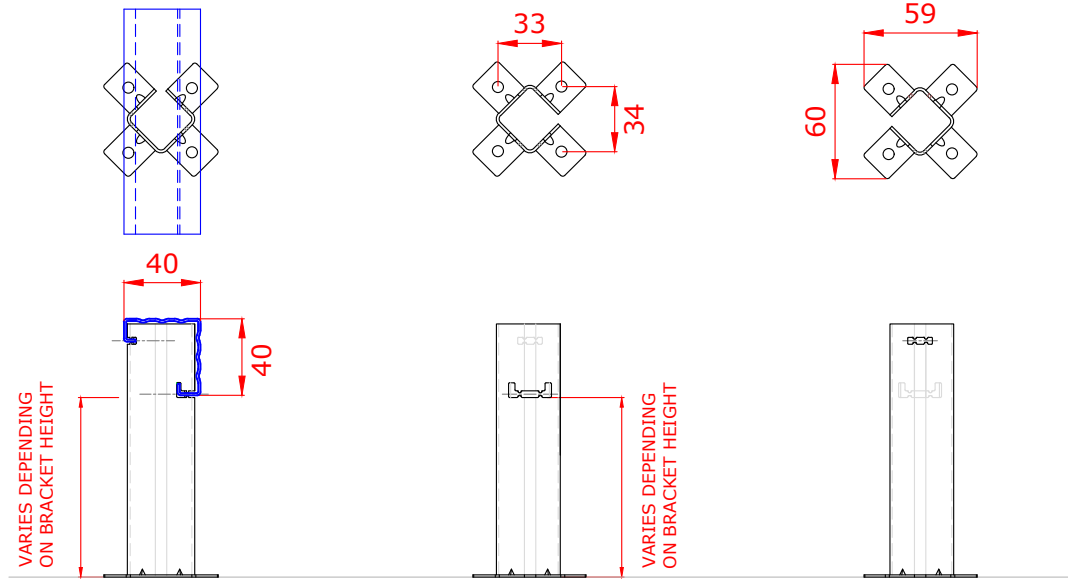
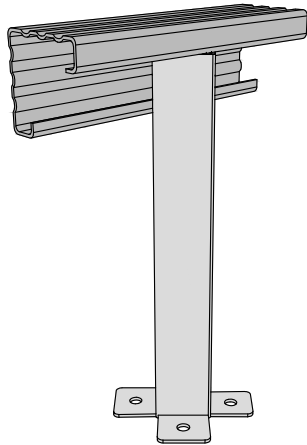
www.euroclad.com
Tel: +44 (0)2922 010 101
Fax: +44 (0)2922 010 122

TITLE: Elite System 6
DWG NO: E6
DRAWN: MP
CHECK: PCL
DATE: Feb 19
SCALE: NTS

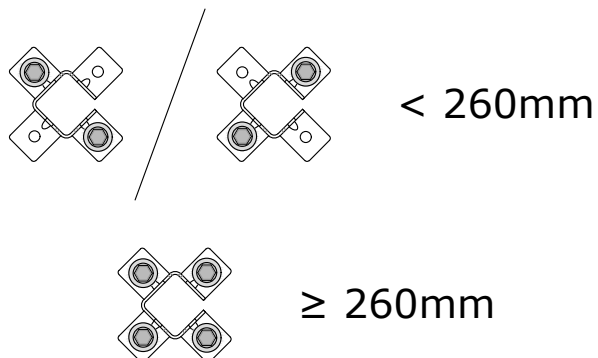
This draft drawing has been supplied by Euroclad Group Ltd for the purpose of guidance free of charge. It is a suggested typical detail and as such should not be assumed suitable for any specific project or application. No responsibility is assumed for errors or misinterpretations resulting from the information contained in the drawing. Details are for illustration only and no liability is accepted. We reserve the right to change the details without notice. The drawing is copyright, it remains our property.

See drawing number FR17 for non-fragile fixing requirements

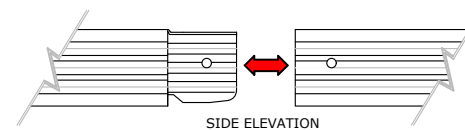
To be read in conjunction with Elite System specification documents



Brackets less than 260mm require
2 fixings diagonally opposite.
Brackets 260mm or more require
4 fixings.



Maximum bar cantilever at free
ends is 300mm.
Spigot can fall anywhere between
two brackets.



ELITE SYSTEMS

EUROCLAD

www.euroclad.com
Tel: +44 (0)2922 010 101
Fax: +44 (0)2922 010 122

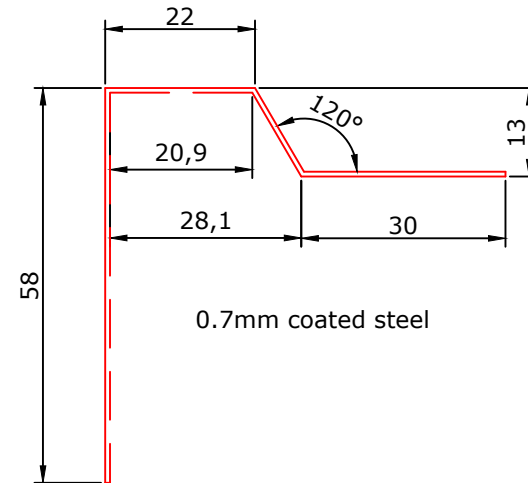
TITLE: Elite System 6
DWG NO: E6
DRAWN: MP
CHECK: PCL
DATE: Feb 19
SCALE: NTS

This draft drawing has been supplied by Euroclad Group Ltd for the purpose of guidance free of charge. It is a suggested typical detail and as such should not be assumed suitable for any specific project or application. No responsibility is assumed for errors or misinterpretations resulting from the information contained in the drawing. Details are for illustration only and no liability is accepted. We reserve the right to change the details without notice. The drawing is copyright, it remains our property.

See drawing number FR17 for non-fragile fixing requirements

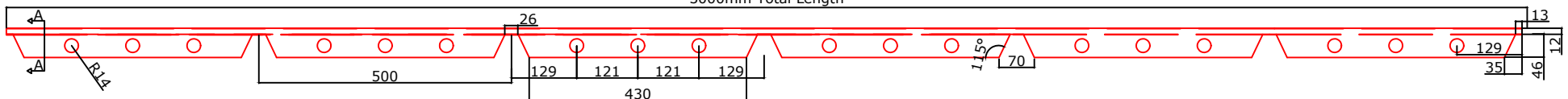
To be read in conjunction with Elite System specification documents

Section A-A



RIDGE SUPPORT SECTION ECSF-RSP

3000mm Total Length



ELITE SYSTEMS

EUROCLAD

www.euroclad.com
Tel: +44 (0)2922 010 101
Fax: +44 (0)2922 010 122

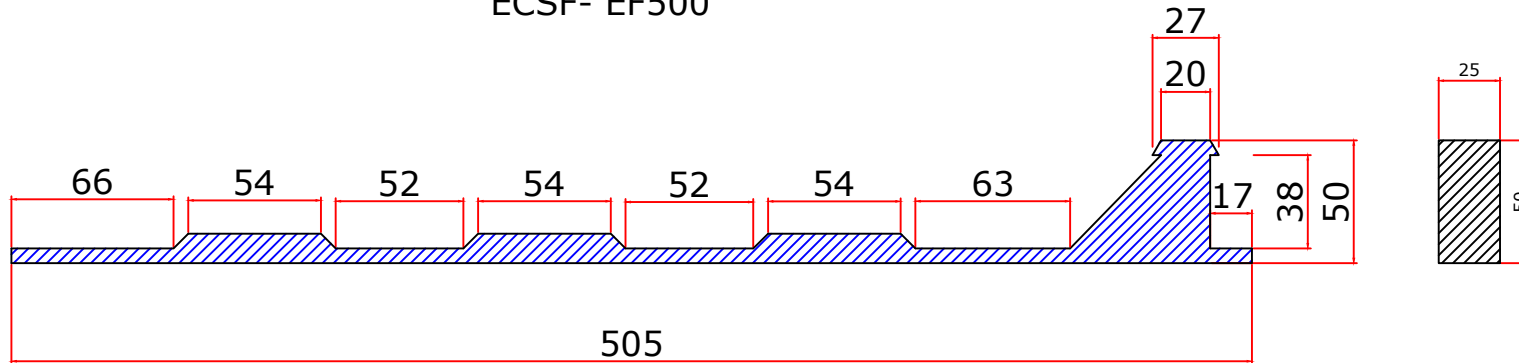
TITLE: Elite System 6
DWG NO: E6
DRAWN: MP
CHECK: PCL
DATE: Feb 19
SCALE: NTS

This draft drawing has been supplied by Euroclad Group Ltd for the purpose of guidance free of charge. It is a suggested typical detail and as such should not be assumed suitable for any specific project or application. No responsibility is assumed for errors or misinterpretations resulting from the information contained in the drawing. Details are for illustration only and no liability is accepted. We reserve the right to change the details without notice. The drawing is copyright, it remains our property.

See drawing number FR17 for non-fragile fixing requirements

To be read in conjunction with Elite System specification documents

**SMALL FLUTE EAVES FILLER
ECSF- EF500**



ELITE SYSTEMS

EUROCLAD

www.euroclad.com
Tel: +44 (0)2922 010 101
Fax: +44 (0)2922 010 122

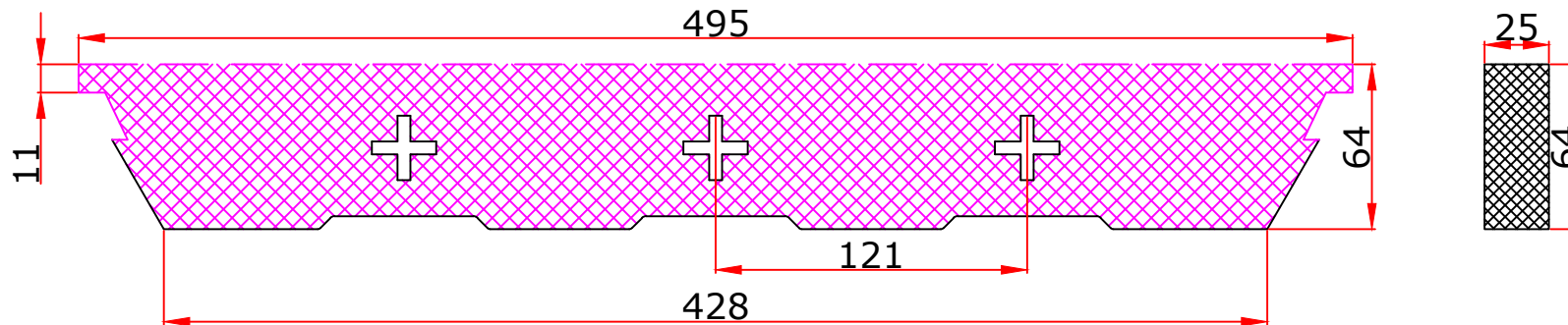
TITLE: Elite System 6
DWG NO: E6
DRAWN: MP
CHECK: PCL
DATE: Feb 19
SCALE: NTS

This draft drawing has been supplied by Euroclad Group Ltd for the purpose of guidance free of charge. It is a suggested typical detail and as such should not be assumed suitable for any specific project or application. No responsibility is assumed for errors or misinterpretations resulting from the information contained in the drawing. Details are for illustration only and no liability is accepted. We reserve the right to change the details without notice. The drawing is copyright, it remains our property.

See drawing number FR17 for non-fragile fixing requirements

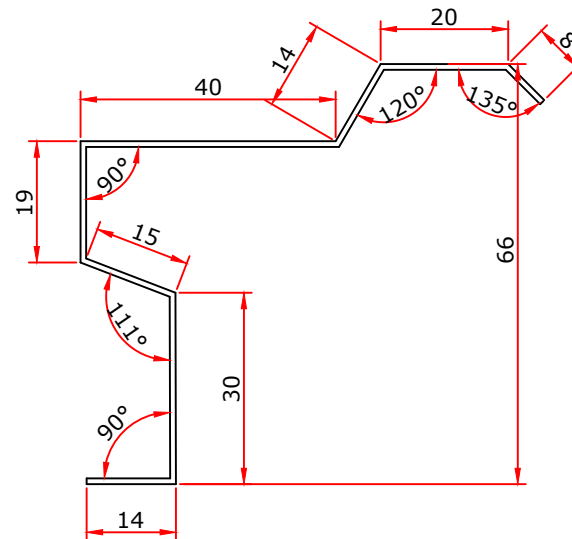
To be read in conjunction with Elite System specification documents

RIDGE FILLER ECSF-RF500



Note: Remove slug (part cut crosses) of material prior to installation to allow for ventilation

VERGE SUPPORT SECTION ECSF-V3



ELITE SYSTEMS

EUROCLAD

www.euroclad.com
Tel: +44 (0)2922 010 101
Fax: +44 (0)2922 010 122

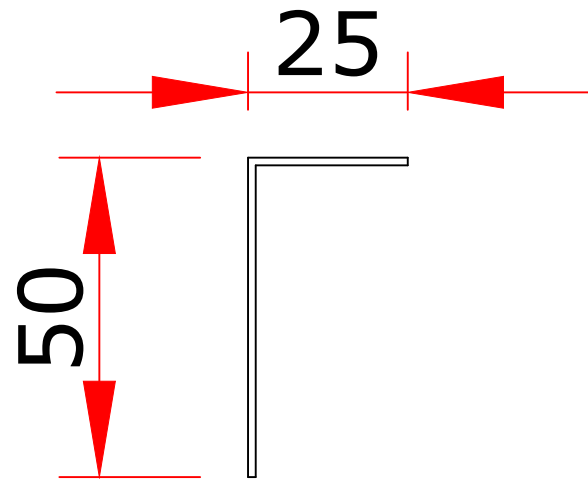
TITLE: Elite System 6
DWG NO: E6
DRAWN: MP
CHECK: PCL
DATE: Feb 19
SCALE: NTS

This draft drawing has been supplied by Euroclad Group Ltd for the purpose of guidance free of charge. It is a suggested typical detail and as such should not be assumed suitable for any specific project or application. No responsibility is assumed for errors or misinterpretations resulting from the information contained in the drawing. Details are for illustration only and no liability is accepted. We reserve the right to change the details without notice. The drawing is copyright, it remains our property.

See drawing number FR17 for non-fragile fixing requirements

To be read in conjunction with Elite System specification documents

EAVES DRIP ANGLE ECSF-DA



ELITE SYSTEMS

EUROCLAD

www.euroclad.com
Tel: +44 (0)2922 010 101
Fax: +44 (0)2922 010 122

TITLE: Elite System 6

DWG NO: E6

DRAWN: MP

CHECK: PCL

DATE: Feb 19

SCALE: NTS

This draft drawing has been supplied by Euroclad Group Ltd for the purpose of guidance free of charge. It is a suggested typical detail and as such should not be assumed suitable for any specific project or application. No responsibility is assumed for errors or misinterpretations resulting from the information contained in the drawing. Details are for illustration only and no liability is accepted. We reserve the right to change the details without notice. The drawing is copyright, it remains our property.

See drawing number FR17 for non-fragile fixing requirements

To be read in conjunction with Elite System specification documents

ELITE SYSTEMS

EUROCLAD

www.euroclad.com
Tel: +44 (0)2922 010 101
Fax: +44 (0)2922 010 122

TITLE: Elite System 6
DWG NO: E6
DRAWN: MP
CHECK: PCL
DATE: Feb 19
SCALE: NTS

This draft drawing has been supplied by Euroclad Group Ltd for the purpose of guidance free of charge. It is a suggested typical detail and as such should not be assumed suitable for any specific project or application. No responsibility is assumed for errors or misinterpretations resulting from the information contained in the drawing. Details are for illustration only and no liability is accepted. We reserve the right to change the details without notice. The drawing is copyright, it remains our property.

See drawing number FR17 for non-fragile fixing requirements

To be read in conjunction with Elite System specification documents

Standard Accessory Clamp. EC SF Clamp 50

