

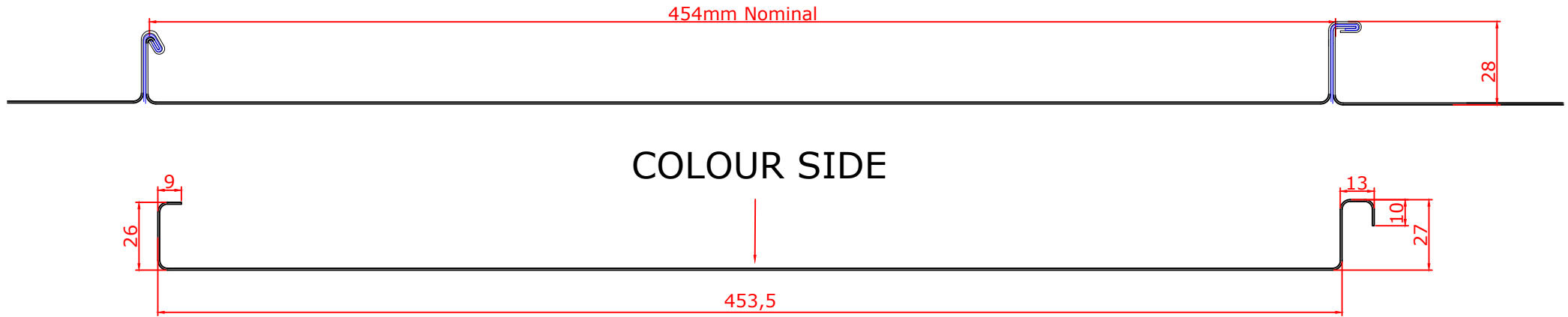


**TITLE: Vioo Standard Components**  
**DWG NO: V12\_Standard Components**  
**SCALE: NTS**  
**ISSUE DATE: Sep 2018**

(To be read in conjunction with Vioo system specification documents)

**Euro Clad Ltd,**  
**Wentloog Corporate Park,**  
**Wentloog Road, Cardiff CF3 2ER**  
**Tel: +44 (0)2922 010101**  
**Fax: +44 (0)2922 010122**  
**Website: [www.vioorooft.com](http://www.vioorooft.com)**

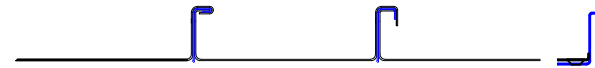
This draft drawing has been supplied by Euro Clad Ltd for the purpose of guidance free of charge. It is a suggested typical detail and as such should not be assumed suitable for any specific project or application. No responsibility is assumed for errors or misinterpretations resulting from the information contained in the drawing. Details are for illustration only and no liability is accepted. We reserve the right to change the details without notice. The drawing is copyright, it remains our property.



Material:  
0.9mm Aluminium  
0.7mm Steel

Other sheet widths only available through consultation

"Stage 1 Seam" (Steel Material Only)



"Stage 2 Seam" (Aluminium Material Only)



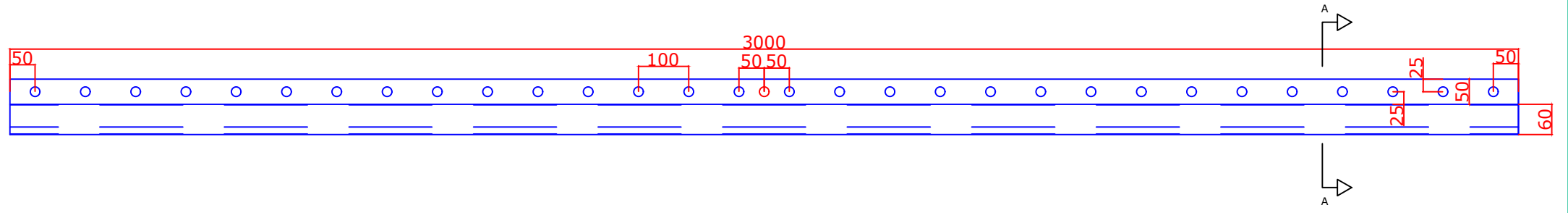


**TITLE: Vieo Standard Components**  
**DWG NO: V12\_Standard Components**  
**SCALE: NTS**  
**ISSUE DATE: Sep 2018**

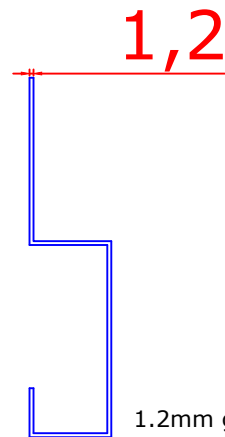
(To be read in conjunction with Vieo system specification documents)

**Euro Clad Ltd,**  
**Wentloog Corporate Park,**  
**Wentloog Road, Cardiff CF3 2ER**  
**Tel: +44 (0)2922 010101**  
**Fax: +44 (0)2922 010122**  
**Website: [www.vieorooft.com](http://www.vieorooft.com)**

This draft drawing has been supplied by Euro Clad Ltd for the purpose of guidance free of charge. It is a suggested typical detail and as such should not be assumed suitable for any specific project or application. No responsibility is assumed for errors or misinterpretations resulting from the information contained in the drawing. Details are for illustration only and no liability is accepted. We reserve the right to change the details without notice. The drawing is copyright, it remains our property.



## Section A-A



1.2mm galv steel  
Isolation tape to be used in conjunction  
with aluminium Vieo sheet



**TITLE: Vieo Standard Components**  
**DWG NO: V12\_Standard Components**  
**SCALE: NTS**  
**ISSUE DATE: Sep 2018**

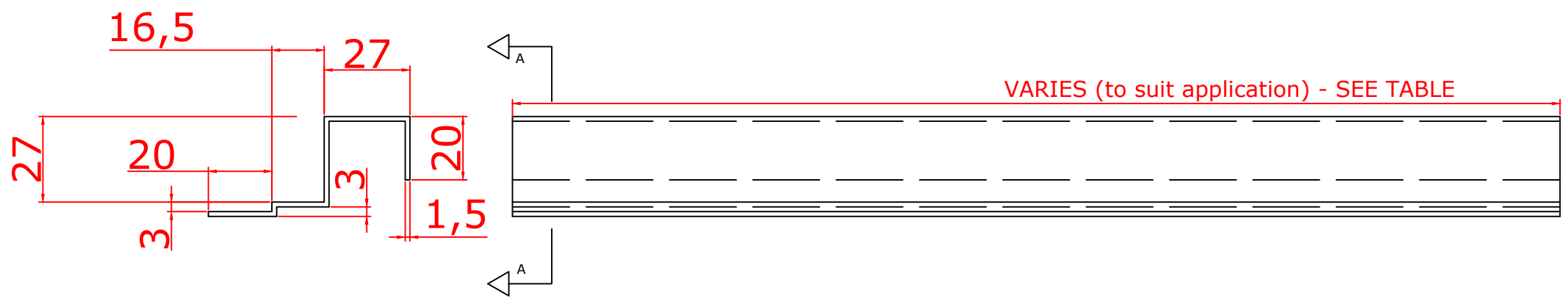
(To be read in conjunction with Vieo system specification documents)

**Euro Clad Ltd,**  
**Wentloog Corporate Park,**  
**Wentloog Road, Cardiff CF3 2ER**  
**Tel: +44 (0)2922 010101**  
**Fax: +44 (0)2922 010122**  
**Website: [www.vieorooft.com](http://www.vieorooft.com)**

This draft drawing has been supplied by Euro Clad Ltd for the purpose of guidance free of charge. It is a suggested typical detail and as such should not be assumed suitable for any specific project or application. No responsibility is assumed for errors or misinterpretations resulting from the information contained in the drawing. Details are for illustration only and no liability is accepted. We reserve the right to change the details without notice. The drawing is copyright, it remains our property.

Material: Aluminium  
Length: 439mm, 325mm or 5M Part Refs: VC 454,  
VC 340, VC5  
(Other lengths available through consultation)

**Section A-A**



Coloured Closure Cover To Match Vieo Sheet Material If Req'd.

<b>Application</b>	<b>Length</b>
<b>Filler Closure for Vieo 454mm</b>	0.439M
<b>Filler Closure for Vieo 340mm</b>	0.325M
<b>Verge or Raked Filler Closure Blank*</b>	5.000M

\* Also for sheet widths other than 454mm or 340mm



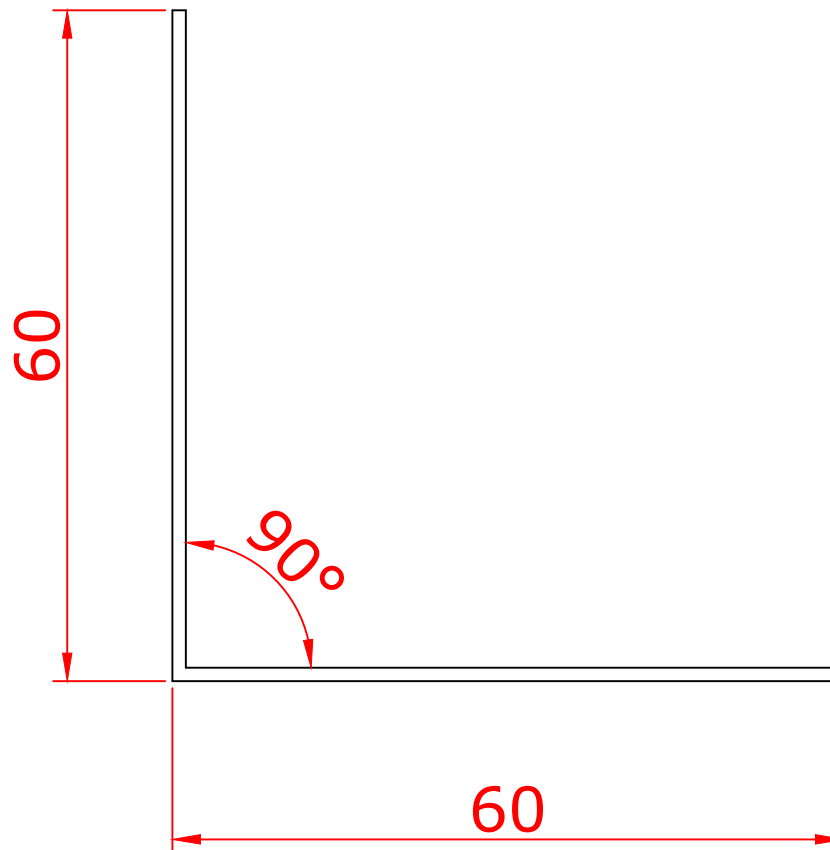
<b>TITLE: Vio Standard Components</b>
<b>DWG NO: V12_Standard Components</b>
<b>SCALE: NTS</b>
<b>ISSUE DATE: Sep 2018</b>

(To be read in conjunction with Vio system specification documents)

**Euro Clad Ltd,**  
**Wentloog Corporate Park,**  
**Wentloog Road, Cardiff CF3 2ER**  
**Tel: +44 (0)2922 010101**  
**Fax: +44 (0)2922 010122**  
**Website: [www.vieorooft.com](http://www.vieorooft.com)**

This draft drawing has been supplied by Euro Clad Ltd for the purpose of guidance free of charge. It is a suggested typical detail and as such should not be assumed suitable for any specific project or application. No responsibility is assumed for errors or misinterpretations resulting from the information contained in the drawing. Details are for illustration only and no liability is accepted. We reserve the right to change the details without notice. The drawing is copyright, it remains our property.

Material: 1.2mm Galvanised Steel  
Length: 3.000M  
Part Ref: Vio-RA3





**TITLE: Vio Standard Components**

**DWG NO: V12\_Standard Components**

**SCALE: NTS**

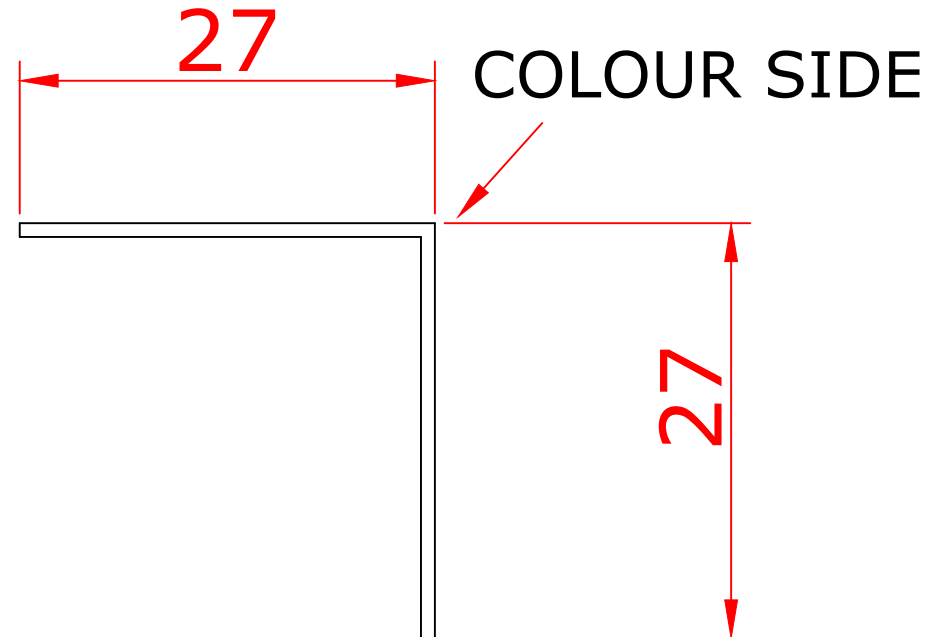
**ISSUE DATE: Sep 2018**

Drawn by: CD Checked by: MP

(To be read in conjunction with Vio system specification documents)

**Euro Clad Ltd,  
Wentloog Corporate Park,  
Wentloog Road, Cardiff CF3 2ER  
Tel: +44 (0)2922 010101  
Fax: +44 (0)2922 010122  
Website: [www.vieorooft.com](http://www.vieorooft.com)**

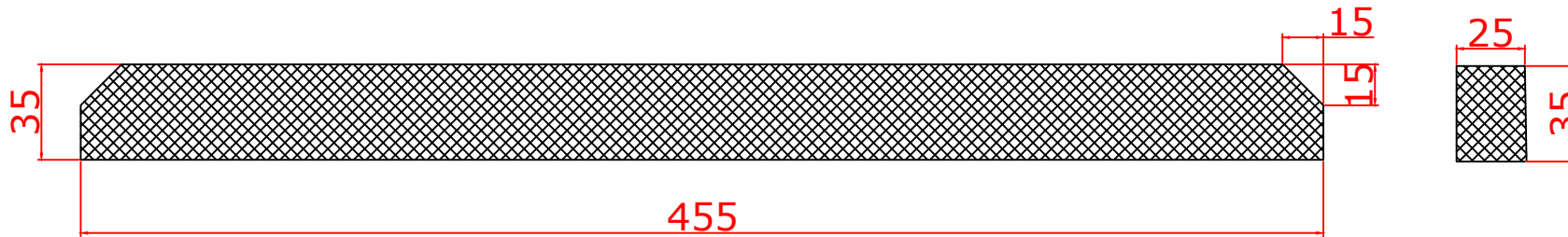
This draft drawing has been supplied by Euro Clad Ltd for the purpose of guidance free of charge. It is a suggested typical detail and as such should not be assumed suitable for any specific project or application. No responsibility is assumed for errors or misinterpretations resulting from the information contained in the drawing. Details are for illustration only and no liability is accepted. We reserve the right to change the details without notice. The drawing is copyright, it remains our property.



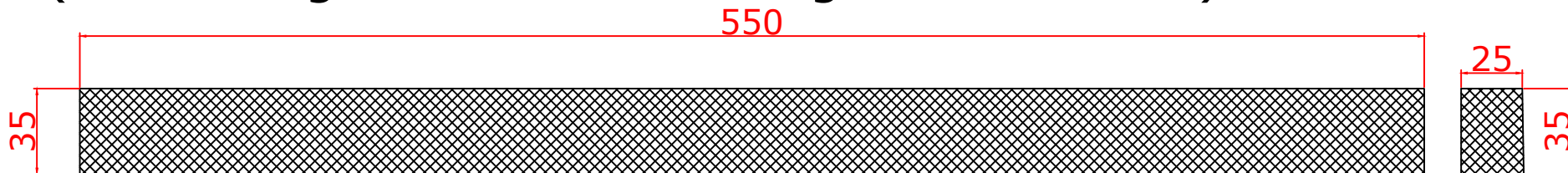
Material: 0.7mm Coated Steel or 0.9mm Coated Aluminium  
Length: 3.000M  
Part Ref: Vio-CC3

Material: EPDM, Metallocene or "Supaseal"

## Standard Profile Filler for 454mm Vieo



Profile Filler Blank for Rakes & sheet widths other than 454mm  
(Other lengths available through consultation)





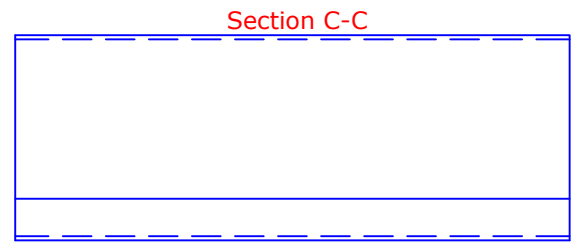
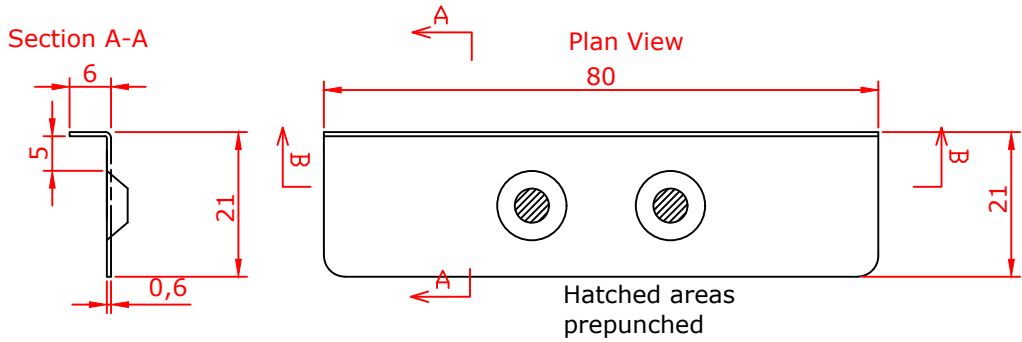
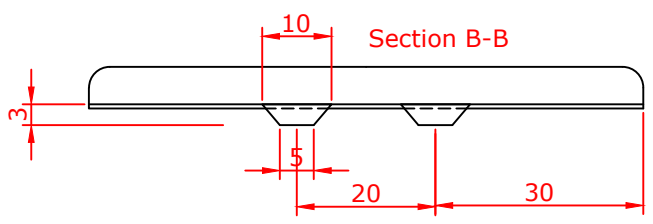
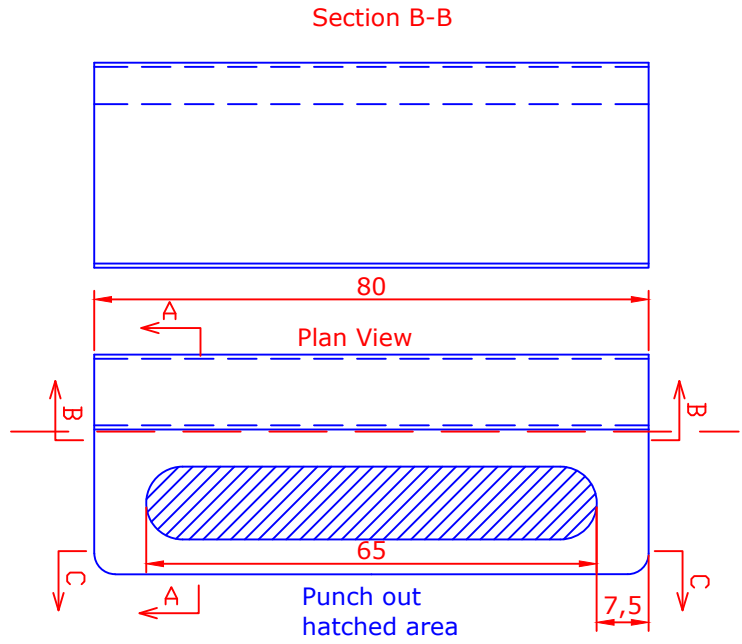
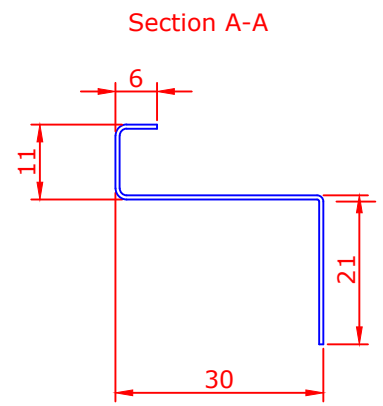
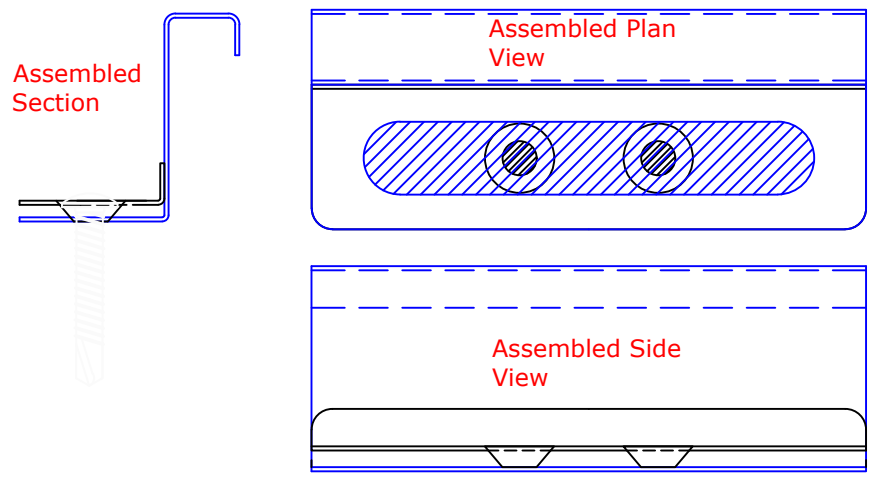
<b>TITLE: Vieo Standard Components</b>
<b>DWG NO: V12_Standard Components</b>
<b>SCALE: NTS</b>
<b>ISSUE DATE: Sep 2018</b>

(To be read in conjunction with Vieo system specification documents)

**Euro Clad Ltd,**  
**Wentloog Corporate Park,**  
**Wentloog Road, Cardiff CF3 2ER**  
**Tel: +44 (0)2922 010101**  
**Fax: +44 (0)2922 010122**  
**Website: [www.vieorooft.com](http://www.vieorooft.com)**

This draft drawing has been supplied by Euro Clad Ltd for the purpose of guidance free of charge. It is a suggested typical detail and as such should not be assumed suitable for any specific project or application. No responsibility is assumed for errors or misinterpretations resulting from the information contained in the drawing. Details are for illustration only and no liability is accepted. We reserve the right to change the details without notice. The drawing is copyright, it remains our property.

Material: Stainless Steel  
Part Ref: Vieo-Sliding Clip  
2 Fixings per Clip (supplied separately)





**TITLE: Vieo Standard Components**

**DWG NO: V12\_Standard Components**

**SCALE: NTS**

**ISSUE DATE: Sep 2018**

Drawn by: CD Checked by: MP

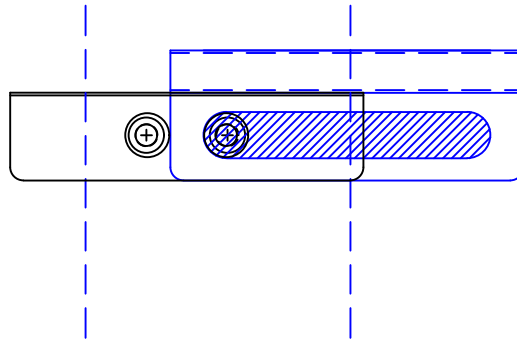
(To be read in conjunction with Vieo system specification documents)

**Euro Clad Ltd,  
Wentloog Corporate Park,  
Wentloog Road, Cardiff CF3 2ER  
Tel: +44 (0)2922 010101  
Fax: +44 (0)2922 010122  
Website: [www.vieorooft.com](http://www.vieorooft.com)**

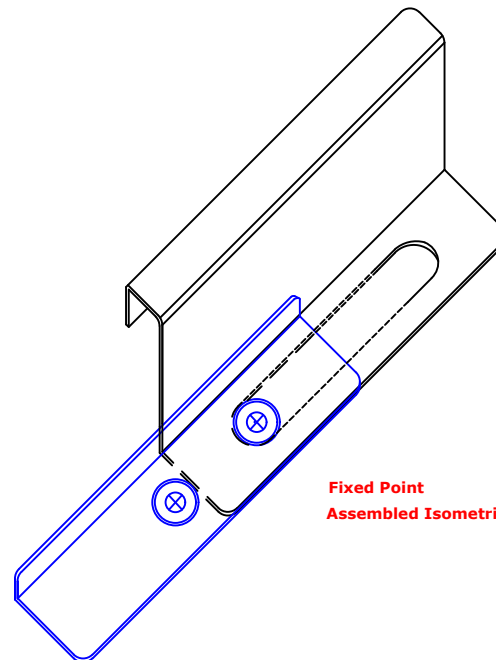
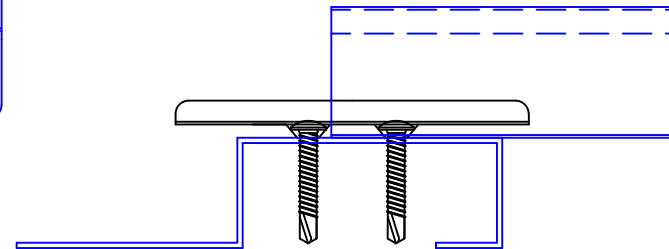
This draft drawing has been supplied by Euro Clad Ltd for the purpose of guidance free of charge. It is a suggested typical detail and as such should not be assumed suitable for any specific project or application. No responsibility is assumed for errors or misinterpretations resulting from the information contained in the drawing. Details are for illustration only and no liability is accepted. We reserve the right to change the details without notice. The drawing is copyright, it remains our property.

**Alternative for use elsewhere on slope: Create Fixed Point Using Clip with fixing either side**

**Plan View**



**Side View**



**Fixed Point  
Assembled Isometric View**





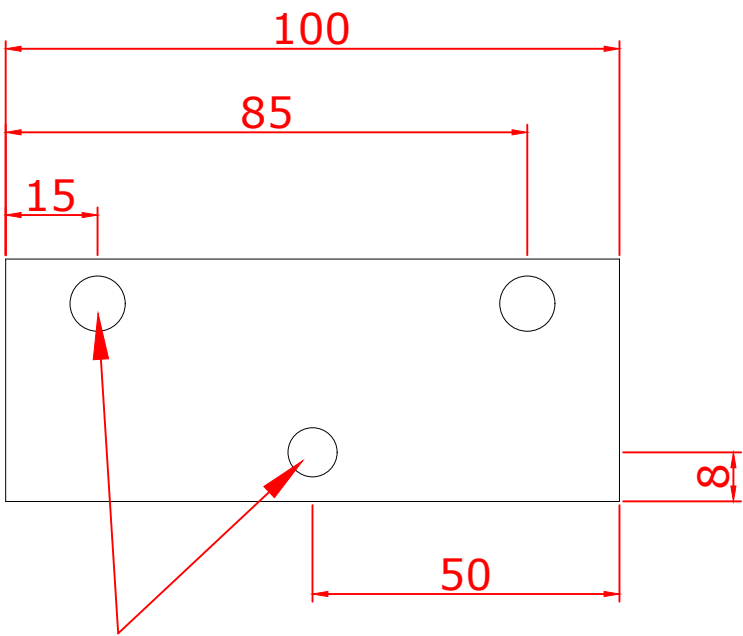
<b>TITLE: Vieo Standard Components</b>
<b>DWG NO: V12_Standard Components</b>
<b>SCALE: NTS</b>
<b>ISSUE DATE: Sep 2018</b>

(To be read in conjunction with Vieo system specification documents)

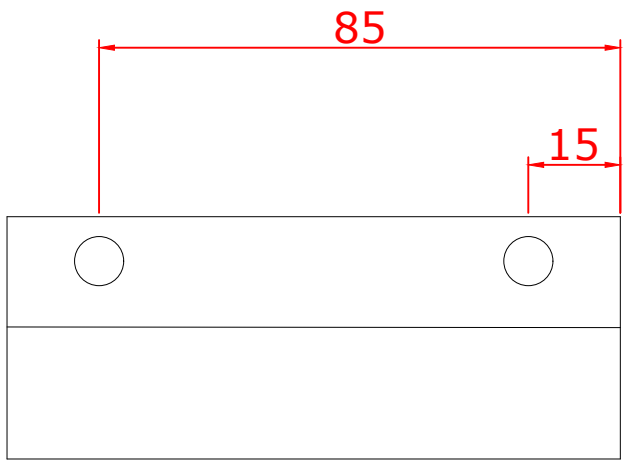
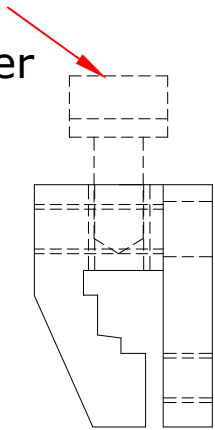
**Euro Clad Ltd,**  
**Wentloog Corporate Park,**  
**Wentloog Road, Cardiff CF3 2ER**  
**Tel: +44 (0)2922 010101**  
**Fax: +44 (0)2922 010122**  
**Website: [www.vieorooft.com](http://www.vieorooft.com)**

This draft drawing has been supplied by Euro Clad Ltd for the purpose of guidance free of charge. It is a suggested typical detail and as such should not be assumed suitable for any specific project or application. No responsibility is assumed for errors or misinterpretations resulting from the information contained in the drawing. Details are for illustration only and no liability is accepted. We reserve the right to change the details without notice. The drawing is copyright, it remains our property.

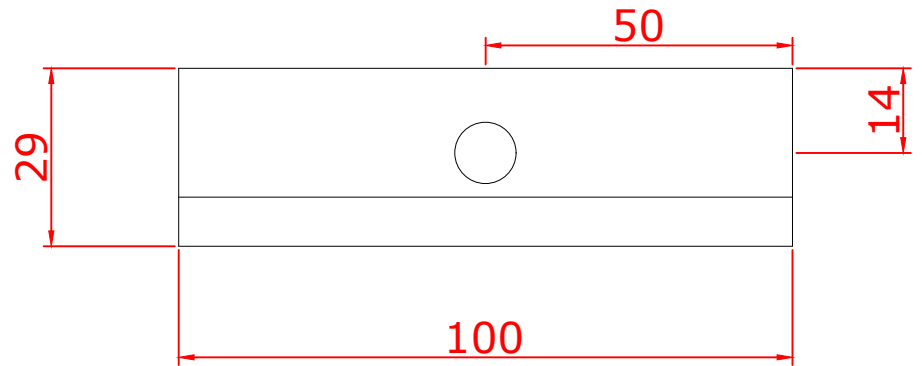
Drawn by: CD Checked by: MP



1 x M10 Bolt with washer



Secured with M8 bolts with cap heads





<b>TITLE: Vieo Standard Components</b>
<b>DWG NO: V12_Standard Components</b>
<b>SCALE: NTS</b>
<b>ISSUE DATE: Sep 2018</b>

(To be read in conjunction with Vieo system specification documents)

**Euro Clad Ltd,**  
**Wentloog Corporate Park,**  
**Wentloog Road, Cardiff CF3 2ER**  
**Tel: +44 (0)2922 010101**  
**Fax: +44 (0)2922 010122**  
**Website: [www.vieorooft.com](http://www.vieorooft.com)**

Drawn by: CD Checked by: MP

This draft drawing has been supplied by Euro Clad Ltd for the purpose of guidance free of charge. It is a suggested typical detail and as such should not be assumed suitable for any specific project or application. No responsibility is assumed for errors or misinterpretations resulting from the information contained in the drawing. Details are for illustration only and no liability is accepted. We reserve the right to change the details without notice. The drawing is copyright, it remains our property.

H5 Hex Allen Key required for bolt removal

M6 bolt

