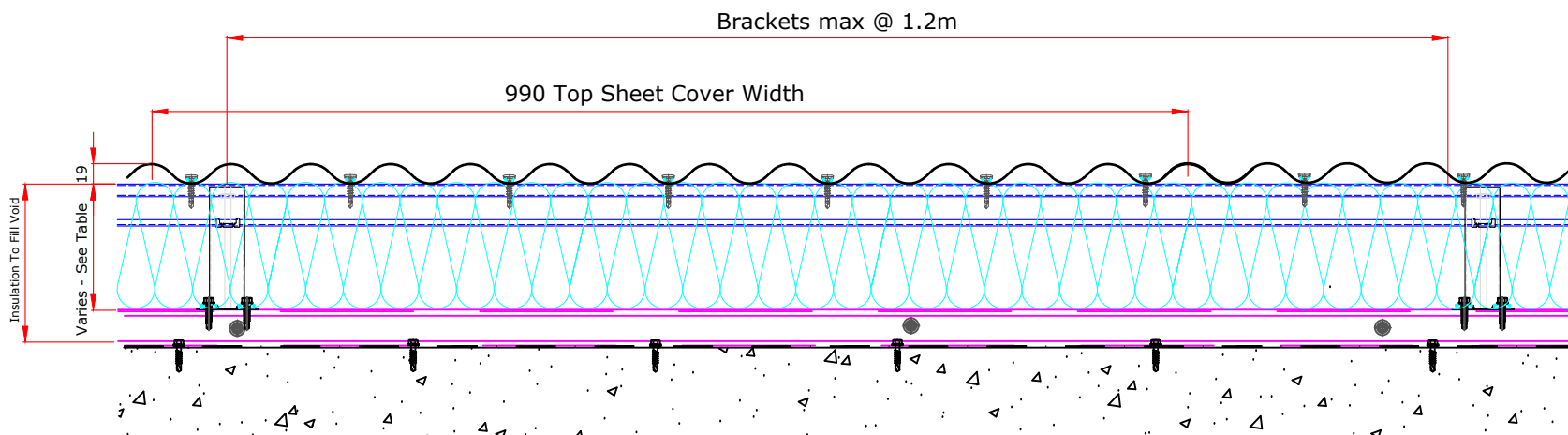


TITLE: Refresh Wall Brick/Block existing with Vertical Sinusoidal 13.5/3 Outer Profile
 DWG NO:
 DRAWN: EP
 CHECK: PCL
 DATE: May 2017
 SCALE: NTS

This draft drawing has been supplied by Euro Clad Ltd for the purpose of guidance free of charge. It is a suggested typical detail and as such should not be assumed suitable for any specific project or application. No responsibility is assumed for errors or misinterpretations resulting from the information contained in the drawing. Details are for illustration only and no liability is accepted. We reserve the right to change the details without notice. The drawing is copyright, it remains our property.

To be read in conjunction with Refresh guidance and specification documents



Refresh Wall Brick/Block Existing with Vertical Sinusoidal Outer Profile

Quattro Bracket Height	Insulation Thickness *	Insulation Value	Minimum U Value with Rails at 1.8M & Brackets at 1.2M Centres
120mm	160mm	0.040	0.37
140mm	180mm	0.040	0.31
160mm	200mm	0.040	0.27
180mm	220mm	0.040	0.24
200mm	240mm	0.040	0.22
220mm	260mm	0.040	0.20

* Insulation thickness is increased to allow for cleats/ tophats, typically based on Quattro bracket depth + 40mm.
 No allowance made for performance of block/brick wall in U value stated.

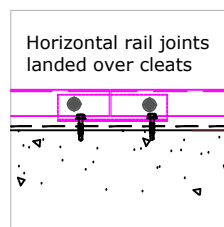
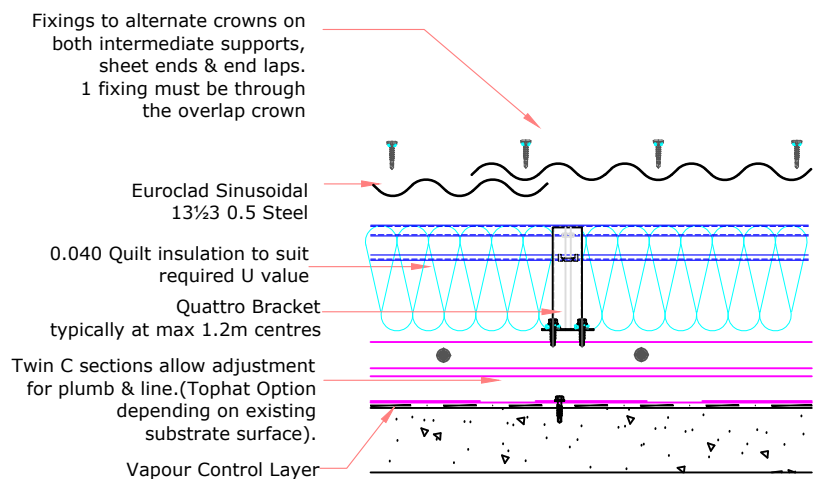
TITLE: Refresh Wall Brick/Block existing with Vertical Sinusoidal 13.5/3 Outer Profile

DWG NO:
DRAWN: EP
CHECK: PCL
DATE: May 2017
SCALE: NTS

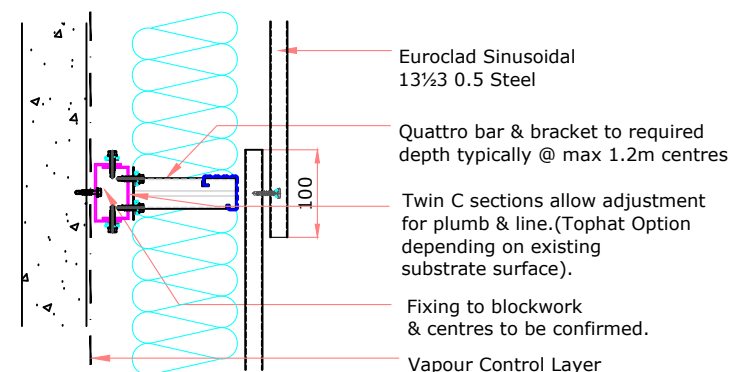
This draft drawing has been supplied by Euro Clad Ltd for the purpose of guidance free of charge. It is a suggested typical detail and as such should not be assumed suitable for any specific project or application. No responsibility is assumed for errors or misinterpretations resulting from the information contained in the drawing. Details are for illustration only and no liability is accepted. We reserve the right to change the details without notice. The drawing is copyright, it remains our property.

To be read in conjunction with Refresh guidance and specification documents

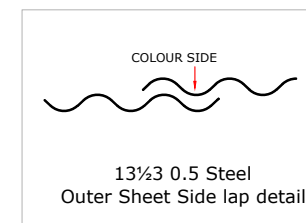
REFRESH WALL WITH VERTICAL SINUSOIDAL PROFILE SIDE LAP DETAIL



REFRESH WALL WITH VERTICAL SINUSOIDAL PROFILE END LAP DETAIL



STANDARD LAP DETAIL



SINUSOIDAL 13.5/3 0.5mm EXTERNAL SHEET

EUROCLAD

www.euroclad.com
Tel: +44 (0)2922 010 101
Fax: +44 (0)2922 010 122



TITLE: Refresh Wall Brick/Block existing with Vertical Sinusoidal 13.5/3 Outer Profile

DWG NO:

DRAWN: EP

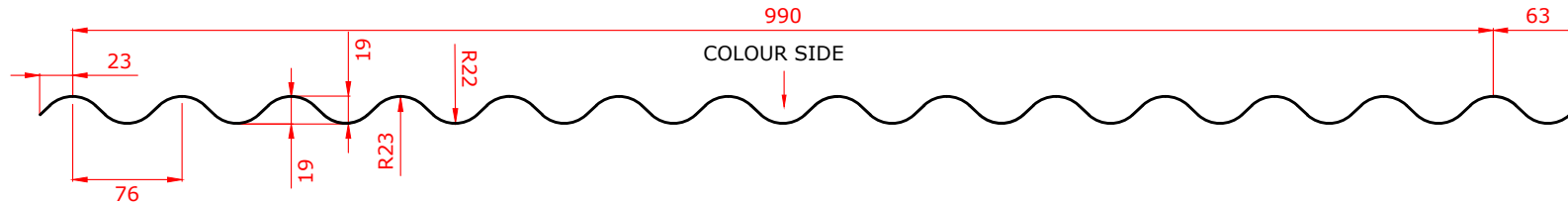
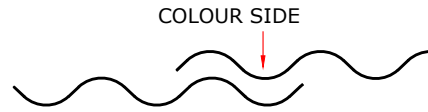
CHECK: PCL

DATE: May 2017

SCALE: NTS

This draft drawing has been supplied by Euro Clad Ltd for the purpose of guidance free of charge. It is a suggested typical detail and as such should not be assumed suitable for any specific project or application. No responsibility is assumed for errors or misinterpretations resulting from the information contained in the drawing. Details are for illustration only and no liability is accepted. We reserve the right to change the details without notice. The drawing is copyright, it remains our property.

To be read in conjunction with Refresh guidance and specification documents



TITLE: Refresh Wall Brick/Block existing with Vertical Sinusoidal 13.5/3 Outer Profile

DWG NO:

DRAWN: EP

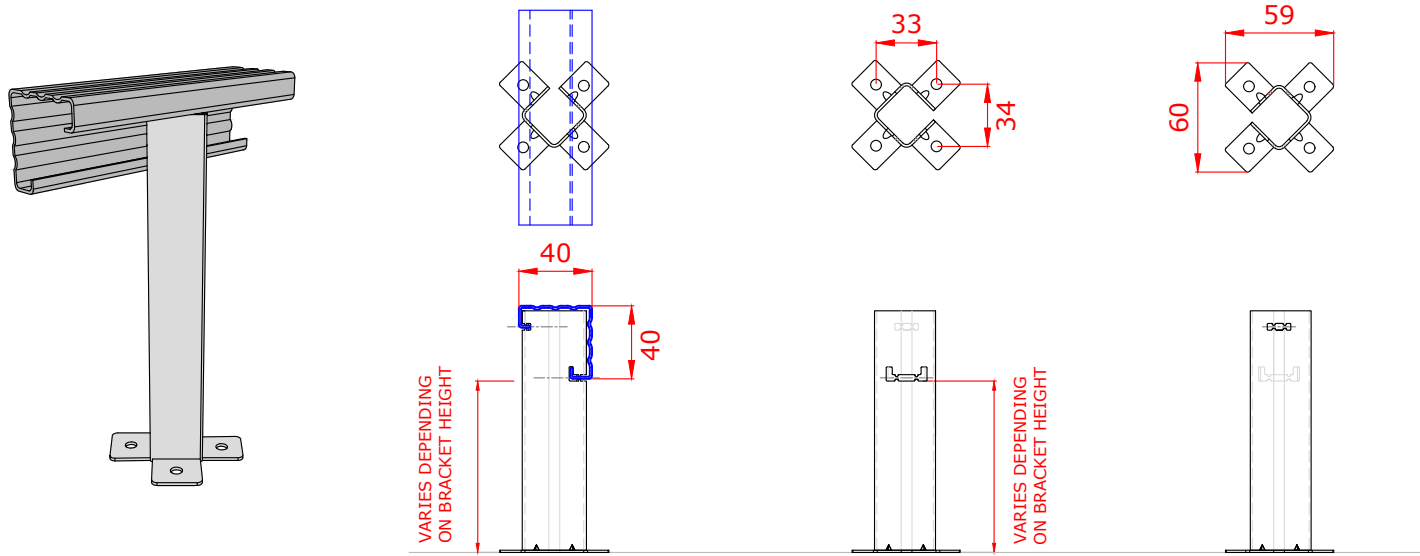
CHECK: PCL

DATE: May 2017

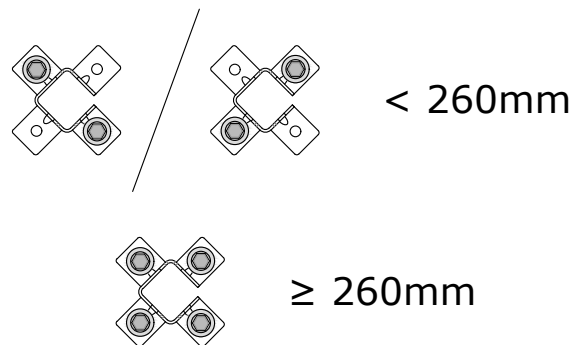
SCALE: NTS

This draft drawing has been supplied by Euro Clad Ltd for the purpose of guidance free of charge. It is a suggested typical detail and as such should not be assumed suitable for any specific project or application. No responsibility is assumed for errors or misinterpretations resulting from the information contained in the drawing. Details are for illustration only and no liability is accepted. We reserve the right to change the details without notice. The drawing is copyright, it remains our property.

To be read in conjunction with Refresh guidance and specification documents



Brackets less than 260mm require 2 fixings diagonally opposite.
 Brackets 260mm or more require 4 fixings.



TITLE: Refresh Wall Brick/Block
existing with Vertical Sinusoidal
13.5/3 Outer Profile

DWG NO:

DRAWN: EP

CHECK: PCL

DATE: May 2017

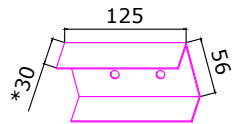
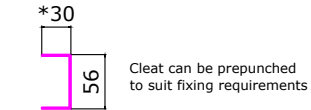
SCALE: NTS

This draft drawing has been supplied by Euro Clad Ltd for the purpose of guidance free of charge. It is a suggested typical detail and as such should not be assumed suitable for any specific project or application. No responsibility is assumed for errors or misinterpretations resulting from the information contained in the drawing. Details are for illustration only and no liability is accepted. We reserve the right to change the details without notice. The drawing is copyright, it remains our property.

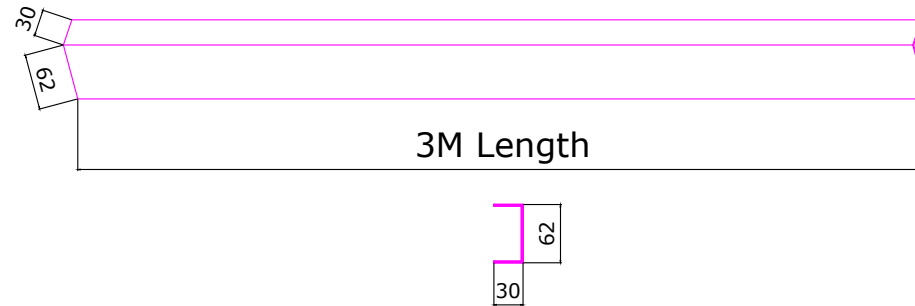
To be read in conjunction with Refresh guidance and specification documents

**Galv 'C' Rails and cleats are preferable
when wall surface is uneven and allows for adjustment.**

***Cleat depth can be adjusted
according to site requirements**

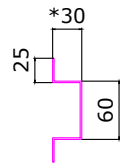


Material: 1.5mm Galv



**Tophats can be considered if wall surface
is even with little variation.**

***Tophat depth can be adjusted
according to site requirements**



Material: 1.5mm Galv

