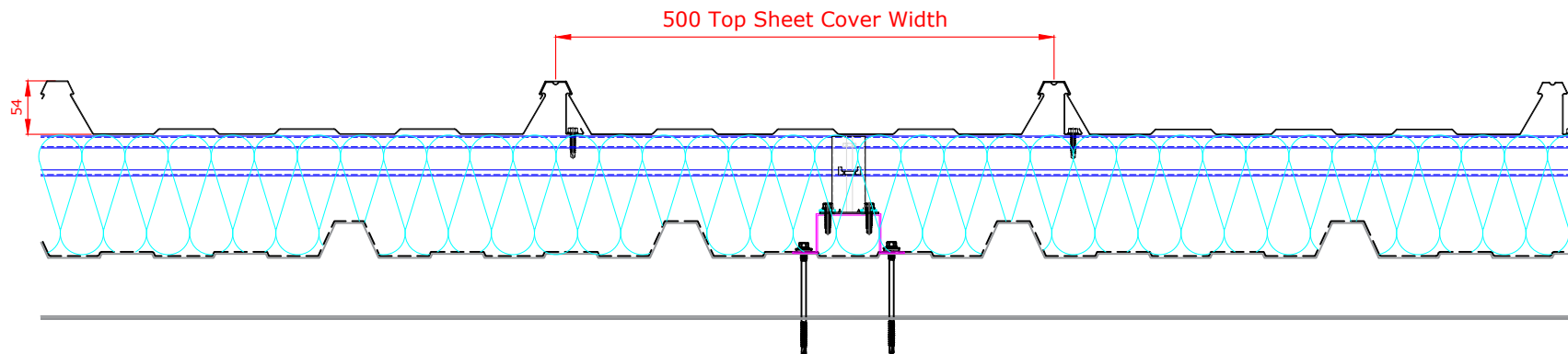


TITLE: Refresh Roof Composite Existing with SF500 Outer Profile  
DWG NO:  
DRAWN: EP  
CHECK: PCL  
DATE: March 2017  
SCALE: NTS

This draft drawing has been supplied by Euro Clad Ltd for the purpose of guidance free of charge. It is a suggested typical detail and as such should not be assumed suitable for any specific project or application. No responsibility is assumed for errors or misinterpretations resulting from the information contained in the drawing. Details are for illustration only and no liability is accepted. We reserve the right to change the details without notice. The drawing is copyright, it remains our property.

To be read in conjunction with Refresh guidance and specification documents



### Refresh Roof Composite Panel Existing with SF500 Outer Sheet

Bracket Height	Continuous Tophat Height	Insulation Thickness*	Insulation Value	U Value at 1.5M Centres	Nominal Weight/M <sup>2</sup> From top of existing*
80mm Quattro	≥ to existing profile height	120mm	0.040	0.57	10.90
180mm Quattro	≥ to existing profile height	220mm	0.040	0.25	12.21
260mm Quattro	≥ to existing profile height	300mm	0.040	0.17	13.26

\* Based upon a 40mm high 1.5mm Galv continuous tophat

TITLE: Refresh Roof Composite Existing with SF500 Outer Profile  
DWG NO:

DRAWN: EP

CHECK: PCL

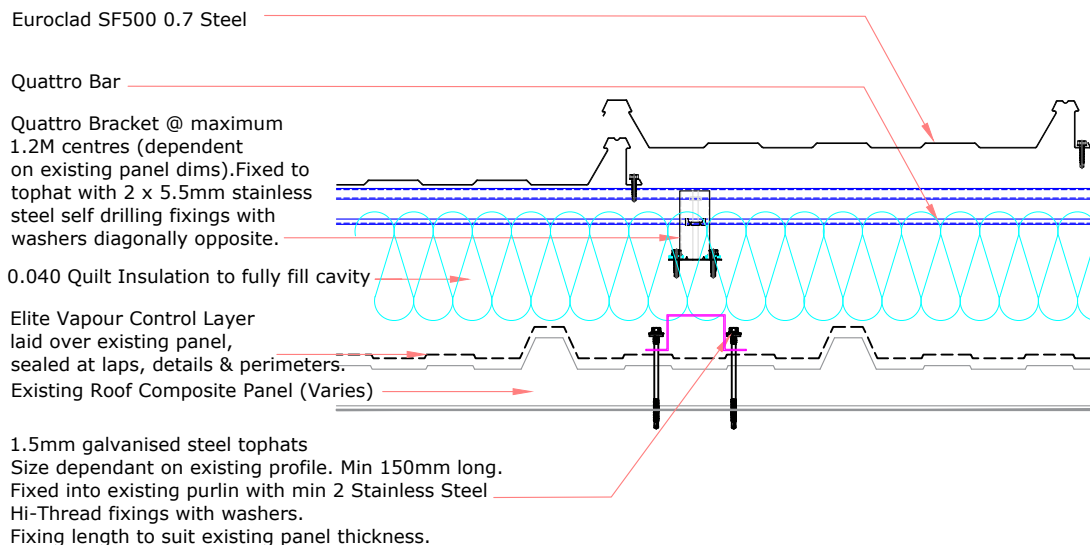
DATE: March 2017

SCALE: NTS

This draft drawing has been supplied by Euro Clad Ltd for the purpose of guidance free of charge. It is a suggested typical detail and as such should not be assumed suitable for any specific project or application. No responsibility is assumed for errors or misinterpretations resulting from the information contained in the drawing. Details are for illustration only and no liability is accepted. We reserve the right to change the details without notice. The drawing is copyright, it remains our property.

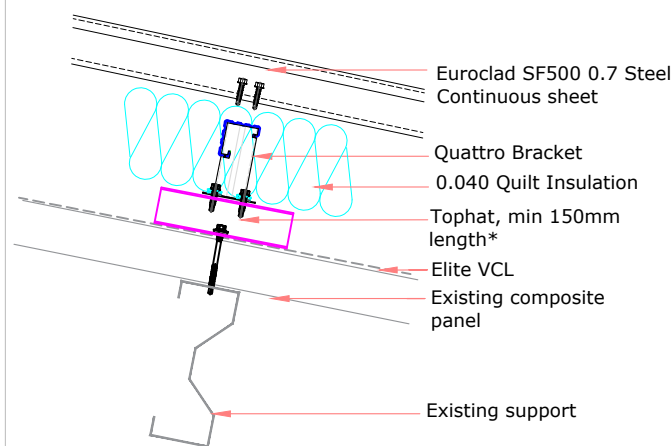
To be read in conjunction with Refresh guidance and specification documents

**SIDE LAP DETAIL**

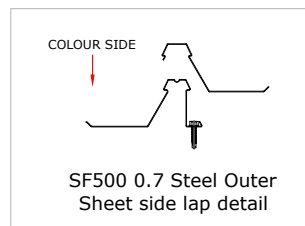


**SECTION THROUGH LENGTH**

TOP SHEET DOES NOT END LAP



\*Tophats may be fitted in continuous runs (to allow adjustment of upslope Quattro rail centres). In such cases 1.5mm galv splice connections are required where tophat ends land > 300mm from existing supports and Quattro bracket lands on cantilevered length



TITLE: Refresh Roof Composite  
Existing with SF500 Outer Profile  
DWG NO:

DRAWN: EP

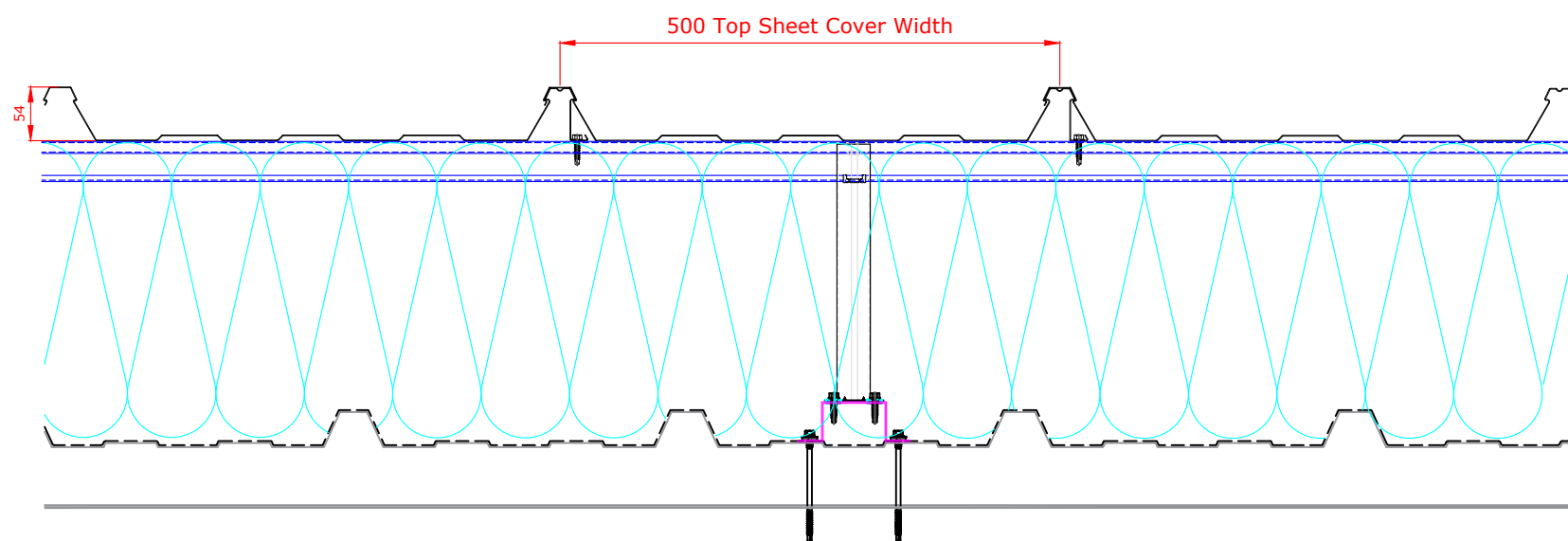
CHECK: PCL

DATE: March 2017

SCALE: NTS

This draft drawing has been supplied by Euro Clad Ltd for the purpose of guidance free of charge. It is a suggested typical detail and as such should not be assumed suitable for any specific project or application. No responsibility is assumed for errors or misinterpretations resulting from the information contained in the drawing. Details are for illustration only and no liability is accepted. We reserve the right to change the details without notice. The drawing is copyright, it remains our property.

To be read in conjunction with Refresh guidance and specification documents



TITLE: Refresh Roof Composite  
Existing with SF500 Outer Profile  
DWG NO:  
DRAWN: EP  
CHECK: PCL  
DATE: March 2017  
SCALE: NTS

This draft drawing has been supplied by Euro Clad Ltd for the purpose of guidance free of charge. It is a suggested typical detail and as such should not be assumed suitable for any specific project or application. No responsibility is assumed for errors or misinterpretations resulting from the information contained in the drawing. Details are for illustration only and no liability is accepted. We reserve the right to change the details without notice. The drawing is copyright, it remains our property.

To be read in conjunction with Refresh guidance and specification documents

**SIDE LAP DETAIL**

Euroclad SF500 0.7 Steel

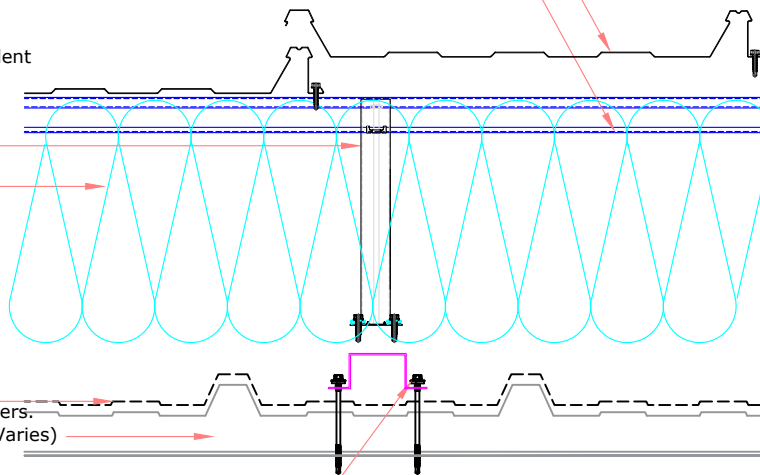
Quattro Bar

Quattro Bracket 260mm @ maximum 1.2M centres (dependent on existing panel dims). Fixed to tophat with 2 x 5.5mm stainless steel self drilling fixings with washers diagonally opposite.

260mm of 0.040 insulation + additional 0.040 insulation to suit tophat depth to achieve 0.18 u-value

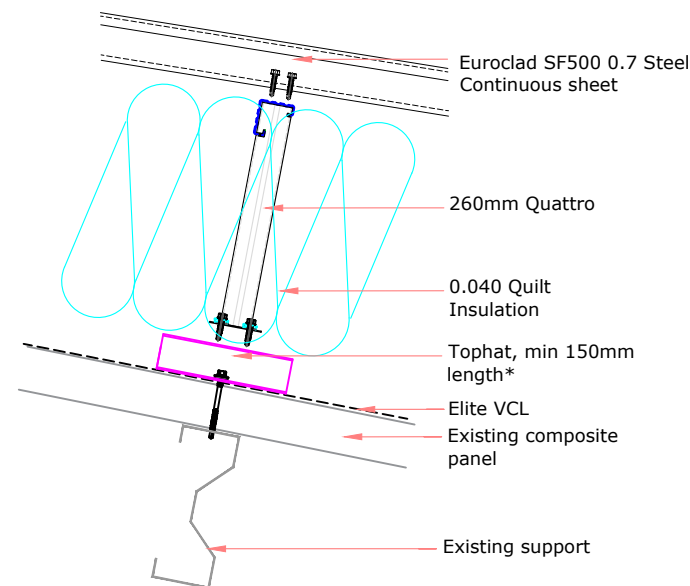
Elite Vapour Control Layer laid over existing panel, sealed at laps, details & perimeters.  
Existing Roof Composite Panel (Varies)

1.5mm galvanised steel tophats  
Size dependant on existing profile. Min 150mm long.  
Fixed into existing purlin with min 2 Stainless Steel Hi-Thread fixings with washers.  
Fixing length to suit existing panel thickness.



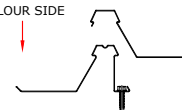
**SECTION THROUGH LENGTH**

TOP SHEET DOES NOT END LAP



\*Tophats may be fitted in continuous runs (to allow adjustment of upslope Quattro rail centres). In such cases 1.5mm galv splice connections are required where tophat ends land > 300mm from existing supports and Quattro bracket lands on cantilevered length.

COLOUR SIDE



SF500 0.7 Steel Outer Sheet side lap detail

# EUROCLAD SF500 SECRET FIX 0.7mm EXTERNAL SHEET

**EUROCLAD**

www.euroclad.com  
Tel: +44 (0)2922 010 101  
Fax: +44 (0)2922 010 122

**r**efresh

TITLE: Refresh Roof Composite  
Existing with SF500 Outer Profile  
DWG NO:

DRAWN: EP

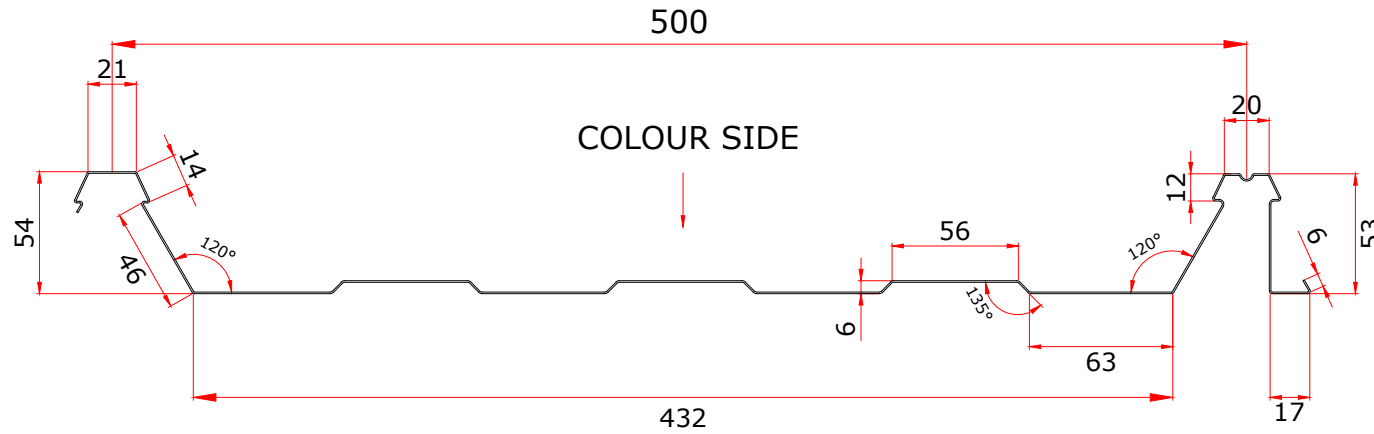
CHECK: PCL

DATE: March 2017

SCALE: NTS

This draft drawing has been supplied by Euro Clad Ltd for the purpose of guidance free of charge. It is a suggested typical detail and as such should not be assumed suitable for any specific project or application. No responsibility is assumed for errors or misinterpretations resulting from the information contained in the drawing. Details are for illustration only and no liability is accepted. We reserve the right to change the details without notice. The drawing is copyright, it remains our property.

To be read in conjunction with Refresh guidance and specification documents



TITLE: Refresh Roof Composite Existing with SF500 Outer Profile  
DWG NO:

DRAWN: EP

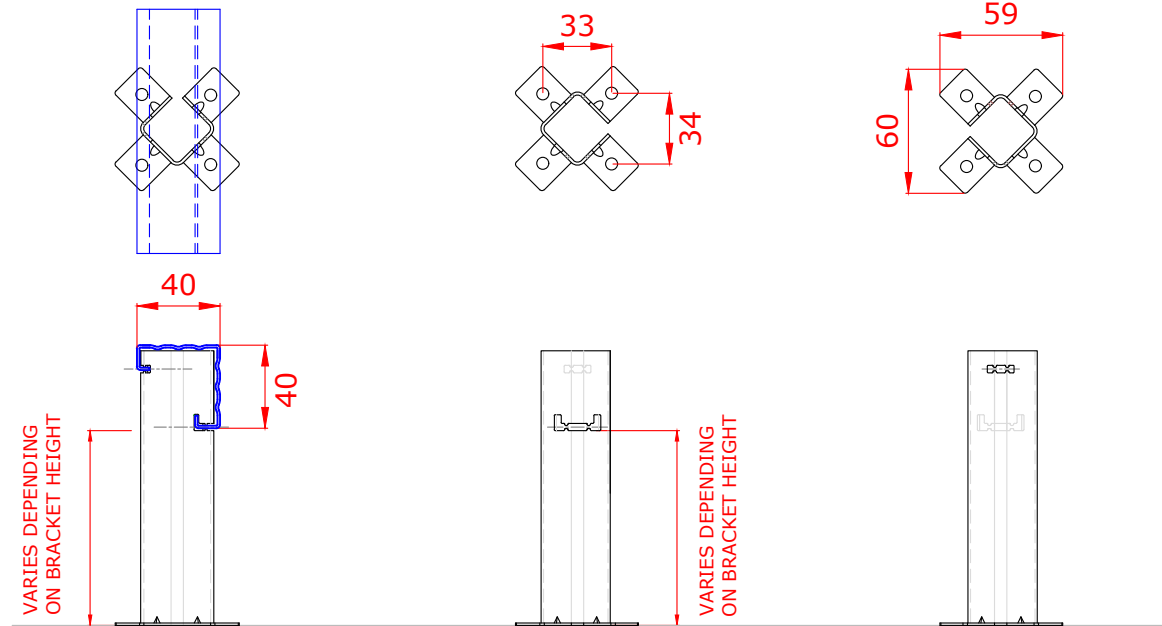
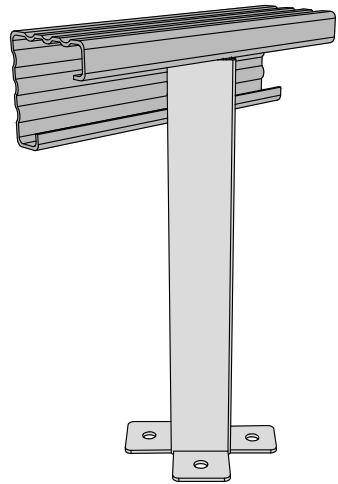
CHECK: PCL

DATE: March 2017

SCALE: NTS

This draft drawing has been supplied by Euro Clad Ltd for the purpose of guidance free of charge. It is a suggested typical detail and as such should not be assumed suitable for any specific project or application. No responsibility is assumed for errors or misinterpretations resulting from the information contained in the drawing. Details are for illustration only and no liability is accepted. We reserve the right to change the details without notice. The drawing is copyright, it remains our property.

To be read in conjunction with Refresh guidance and specification documents



Brackets less than 260mm require 2 fixings diagonally opposite.  
Brackets 260mm or more require 4 fixings.

