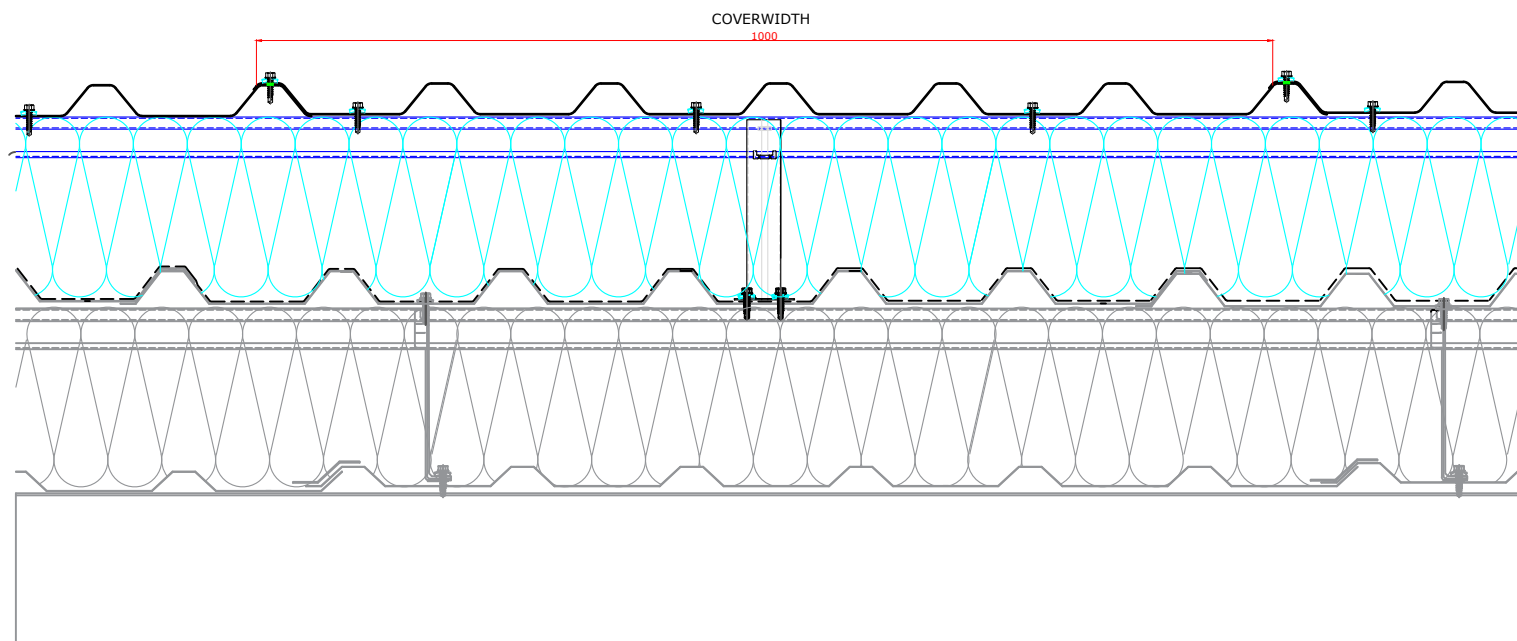


TITLE: Refresh Roof Existing Trapezoidal Profile
 DWG NO:
 DRAWN: EP
 CHECK: PCL
 DATE: March 2017
 SCALE: NTS

This draft drawing has been supplied by Euro Clad Ltd for the purpose of guidance free of charge. It is a suggested typical detail and as such should not be assumed suitable for any specific project or application. No responsibility is assumed for errors or misinterpretations resulting from the information contained in the drawing. Details are for illustration only and no liability is accepted. We reserve the right to change the details without notice. The drawing is copyright, it remains our property.

To be read in conjunction with Refresh guidance and specification documents



Refresh Roof Trapezoidal Existing with Trapezoidal Outer Sheet				
Bracket Height*	Insulation Thickness*	Insulation Value	U Value at 1.5M Centres	Nominal Weight/M ² From top of existing*
120mm Quattro	120mm	0.040	0.57	9.40
220mm Quattro	220mm	0.040	0.25	10.71
300mm Quattro	300mm	0.040	0.17	11.76

* Based upon a 40mm existing profile

Quattro spacer system fixed directly to existing spacer is dependant on existing profile trough dimension and support spacer bearer width. Tophats may be required if existing profile or support spacer are too small. They may also be utilised to reduce span for new profile sheet if required.

TITLE: Refresh Roof Existing Trapezoidal Profile
DWG NO:
DRAWN: EP
CHECK: PCL
DATE: March 2017
SCALE: NTS

This draft drawing has been supplied by Euro Clad Ltd for the purpose of guidance free of charge. It is a suggested typical detail and as such should not be assumed suitable for any specific project or application. No responsibility is assumed for errors or misinterpretations resulting from the information contained in the drawing. Details are for illustration only and no liability is accepted. We reserve the right to change the details without notice. The drawing is copyright, it remains our property.

To be read in conjunction with Refresh guidance and specification documents

SIDE LAP DETAIL

Fixings in alternate troughs on intermediate supports and in all troughs at sheet ends & end laps

Stitcher at 450mm centres

6 x 5 class A butyl

Euroclad 32/1000 1F 0.7mm steel as standard.

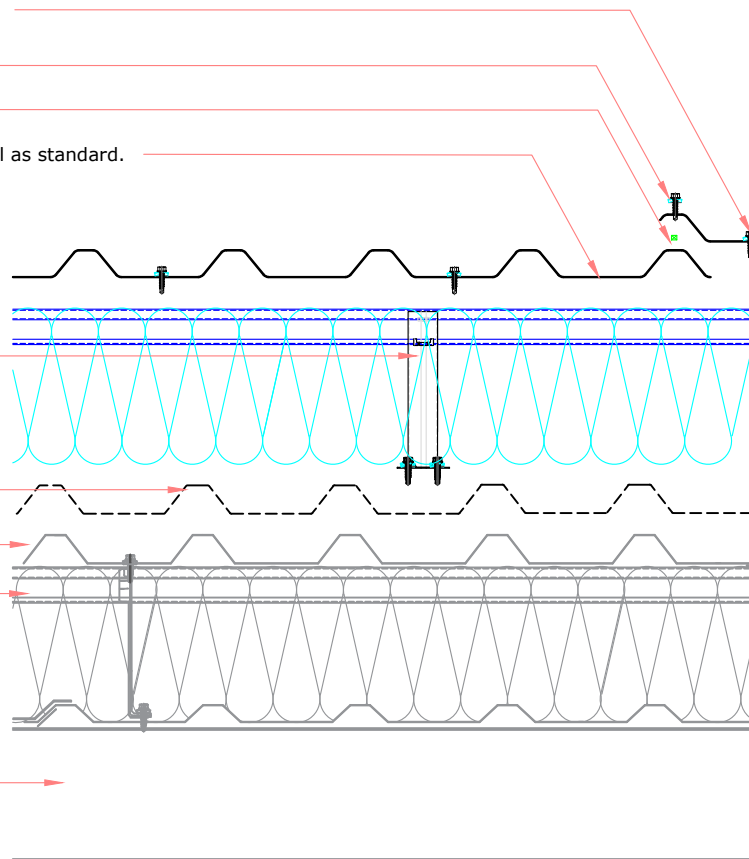
Quattro bar & bracket to required depth typically @ max 1.2m centres.

Elite VCL, alternatively existing profile can be fully sealed

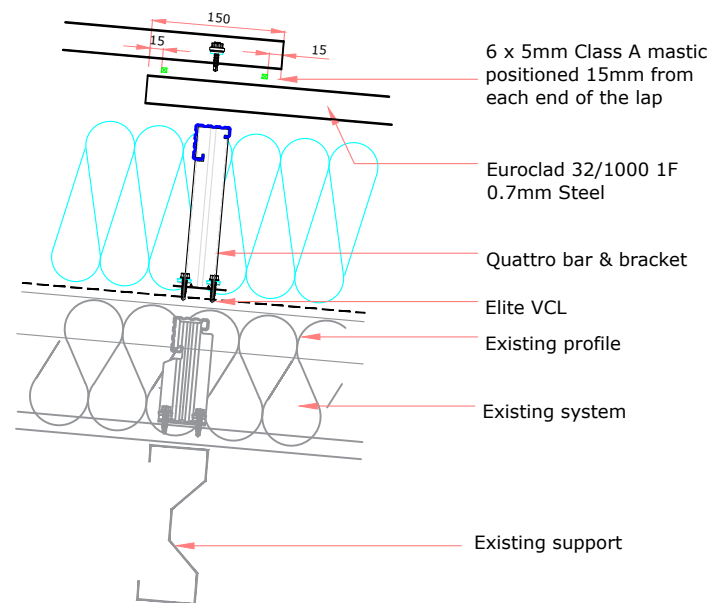
Existing profile

Existing spacer
Minimum 40mm bearer width
Minimum 1.5mm-3mm gauge
Structural engineer to confirm if existing can accommodate new

Existing structure



END LAP DETAIL

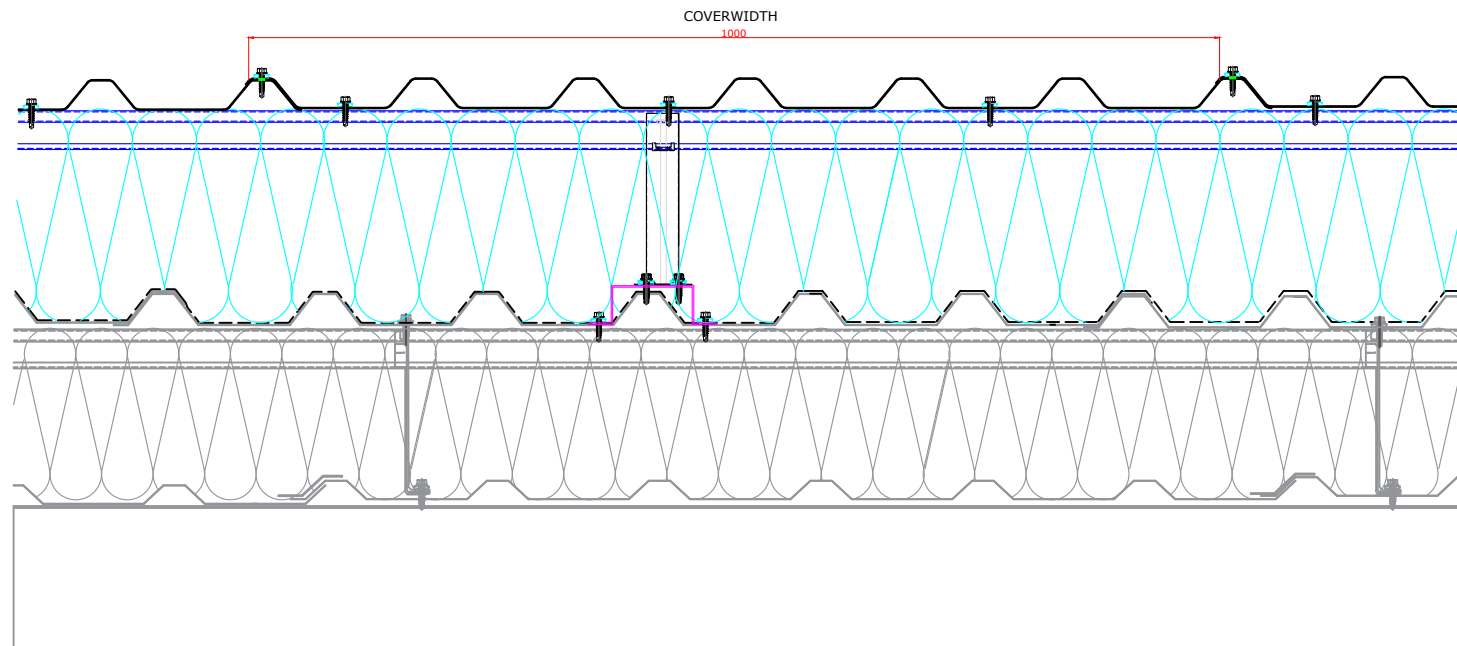


32_1000_1F 0.7 Steel Outer Sheet side lap detail

TITLE: Refresh Roof Existing Trapezoidal Profile
 DWG NO:
 DRAWN: EP
 CHECK: PCL
 DATE: March 2017
 SCALE: NTS

This draft drawing has been supplied by Euro Clad Ltd for the purpose of guidance free of charge. It is a suggested typical detail and as such should not be assumed suitable for any specific project or application. No responsibility is assumed for errors or misinterpretations resulting from the information contained in the drawing. Details are for illustration only and no liability is accepted. We reserve the right to change the details without notice. The drawing is copyright, it remains our property.

To be read in conjunction with Refresh guidance and specification documents



Refresh Roof Trapezoidal Existing with Trapezoidal Outer Sheet					
Bracket Height	Continuous Tophat Height	Insulation Thickness*	Insulation Value	U Value at 1.5M Centres	Nominal Weight/M ² From top of existing*
80mm Quattro	≥ to existing profile height	120mm	0.040	0.57	10.90
180mm Quattro	≥ to existing profile height	220mm	0.040	0.25	12.21
260mm Quattro	≥ to existing profile height	300mm	0.040	0.17	13.26

* Based upon a 40mm high 1.5mm Galv continuous tophat

Quattro spacer system fixed directly to tophat.
 Tophat is then fixed to existing spacer with sizing dependant on existing profile.
 Tophats may be required if existing profile or support spacer are too small.
 They may also be utilised to reduce span for new profile sheet if required.

TITLE: Refresh Roof Existing Trapezoidal Profile
DWG NO:
DRAWN: EP
CHECK: PCL
DATE: March 2017
SCALE: NTS

This draft drawing has been supplied by Euro Clad Ltd for the purpose of guidance free of charge. It is a suggested typical detail and as such should not be assumed suitable for any specific project or application. No responsibility is assumed for errors or misinterpretations resulting from the information contained in the drawing. Details are for illustration only and no liability is accepted. We reserve the right to change the details without notice. The drawing is copyright, it remains our property.

To be read in conjunction with Refresh guidance and specification documents

SIDE LAP DETAIL

Fixings in alternate troughs on intermediate supports and in all troughs at sheet ends & end laps

Stitcher at 450mm centres

6 x 5 class A butyl

Euroclad 32/1000 1F 0.7mm steel as standard.

Quattro bar & bracket to required depth @ maximum 1.2m centres

0.040 insulation to fill cavity

1.5mm galvanised steel tophat to span existing crowns.

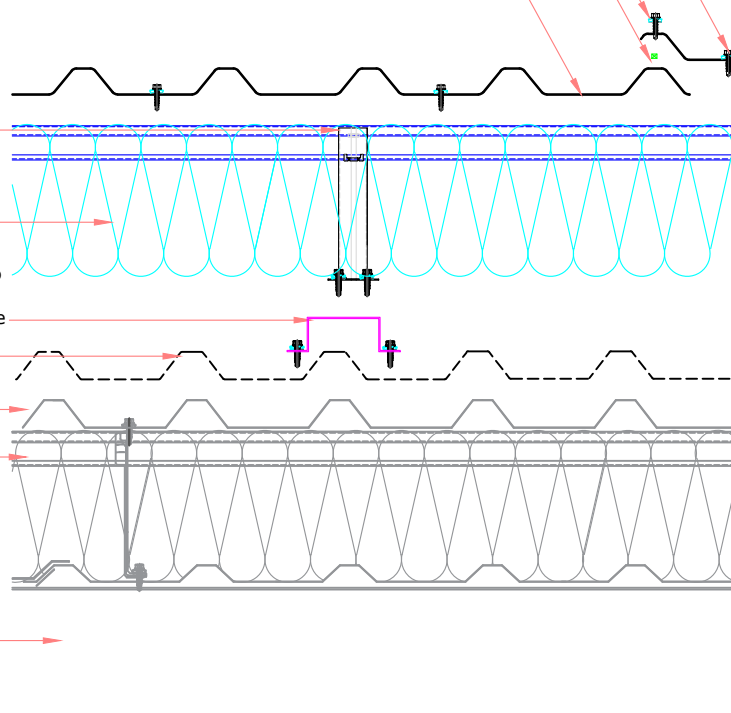
Size dependant on existing profile

Elite VCL, alternatively existing profile can be fully sealed

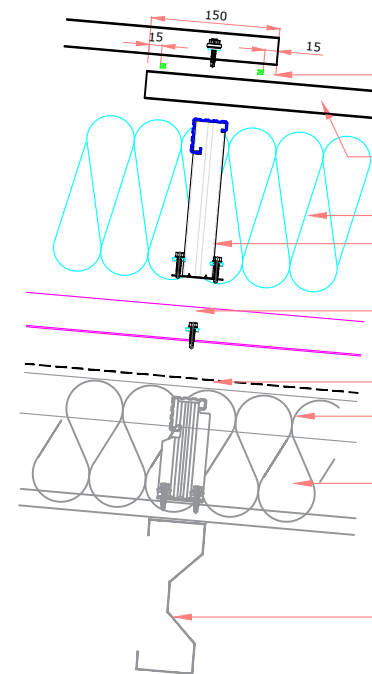
Existing profile

Existing spacer
Minimum 40mm bearer width
Minimum 1.5mm-3mm gauge
Structural engineer to confirm if existing can accommodate new

Existing structure



END LAP DETAIL



6 x 5mm Class A mastic positioned 15mm from each end of the lap

Euroclad 32/1000 1F 0.7mm steel

0.040 Quilt Insulation

Quattro bar & bracket

Tophat to span over existing profile crowns*

Elite VCL

Existing profile

Existing system

Existing support



32_1000_1F 0.7 Steel Outer Sheet side lap detail

*Tophats may be fitted in continuous runs (to allow adjustment of upslope Quattro rail centres). In such cases 1.5mm galv splice connections are required where tophat ends land > 300mm from existing supports and Quattro bracket lands on cantilevered length. Tophats can have a minimum length of 150mm but this is dependant on suitability and loading.

EUROCLAD 32 / 1000 1F 0.7mm EXTERNAL SHEET

EUROCLAD

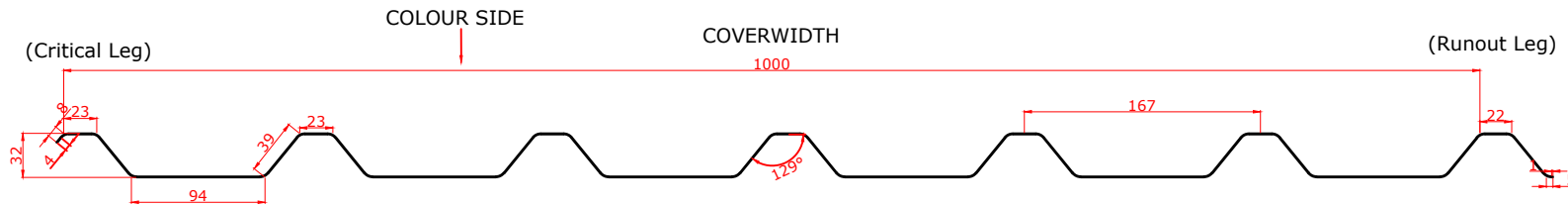
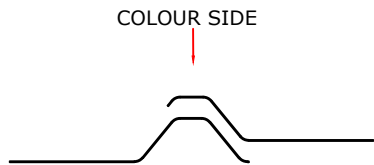
www.euroclad.com
Tel: +44 (0)2922 010 101
Fax: +44 (0)2922 010 122

refresh

TITLE: Refresh Roof Existing
Trapezoidal Profile
DWG NO:
DRAWN: EP
CHECK: PCL
DATE: March 2017
SCALE: NTS

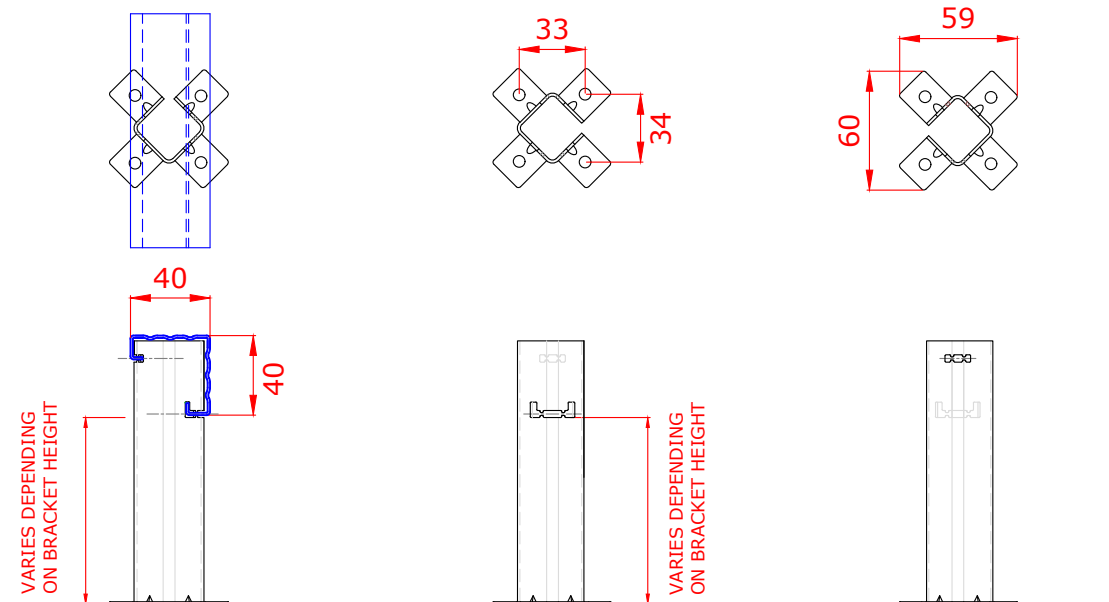
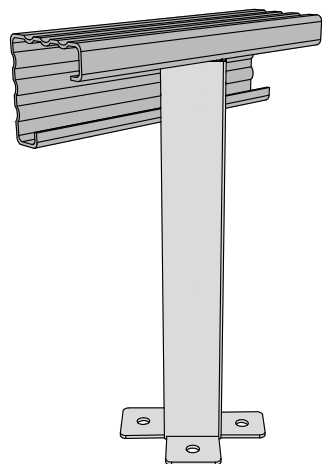
This draft drawing has been supplied by Euro Clad Ltd for the purpose of guidance free of charge. It is a suggested typical detail and as such should not be assumed suitable for any specific project or application. No responsibility is assumed for errors or misinterpretations resulting from the information contained in the drawing. Details are for illustration only and no liability is accepted. We reserve the right to change the details without notice. The drawing is copyright, it remains our property.

To be read in conjunction with Refresh guidance and specification documents



This draft drawing has been supplied by Euro Clad Ltd for the purpose of guidance free of charge. It is a suggested typical detail and as such should not be assumed suitable for any specific project or application. No responsibility is assumed for errors or misinterpretations resulting from the information contained in the drawing. Details are for illustration only and no liability is accepted. We reserve the right to change the details without notice. The drawing is copyright, it remains our property.

To be read in conjunction with Refresh guidance and specification documents



Brackets less than 260mm require 2 fixings diagonally opposite.
Brackets 260mm or more require 4 fixings.

