

Elite System 58

Bracket Height	Insulation Thickness	Insulation Value	Overall System Depth	U Value at 1.5M Centres
100mm	100mm	0.040	125mm	0.43
120mm	120mm	0.040	145mm	0.36
140mm	140mm	0.040	165mm	0.31
160mm	160mm	0.040	185mm	0.27
180mm	180mm	0.040	205mm	0.24
200mm	200mm	0.040	225mm	0.22
220mm	220mm	0.040	245mm	0.20

Please Note:

System is Fire rated using Knauf Factoryclad 40 ECOSE insulation of minimum thickness 120mm with steel outer sheet only. Ensure roll edges are lapped/butted to ensure no gaps.

Fire Resistance performance 120 minutes Integrity, 15 minutes (min) Insulation.

Meets the requirements of Building Regulations Part B for external walls where fire attack is from inside the building and the wall is 1M or more from the boundary.

The vertical joint detail is required to maintain continuity of the external metal skin to achieve fire rating.

Please refer to the technical note: Installer guidance for quilt insulation in Elite Wall Systems

Refer to Technical for advice on constructions requiring better U values than those shown.

ELITE SYSTEMS

EUROCLAD

www.euroclad.com
Tel: +44 (0)2922 010 101
Fax: +44 (0)2922 010 122

TITLE: Elite System 58

DWG NO: E58

DRAWN: MP

CHECK: PCL

DATE: Dec 15

SCALE: NTS

This draft drawing has been supplied by Euro Clad Ltd for the purpose of guidance free of charge. It is a suggested typical detail and as such should not be assumed suitable for any specific project or application. No responsibility is assumed for errors or misinterpretations resulting from the information contained in the drawing. Details are for illustration only and no liability is accepted. We reserve the right to change the details without notice. The drawing is copyright, it remains our property.

To be read in conjunction with Elite System specification documents

ELITE SYSTEMS



www.euroclad.com
 Tel: +44 (0)2922 010 101
 Fax: +44 (0)2922 010 122

TITLE: Elite System 58
 DWG NO: E58
 DRAWN: MP
 CHECK: PCL
 DATE: Dec 15
 SCALE: NTS

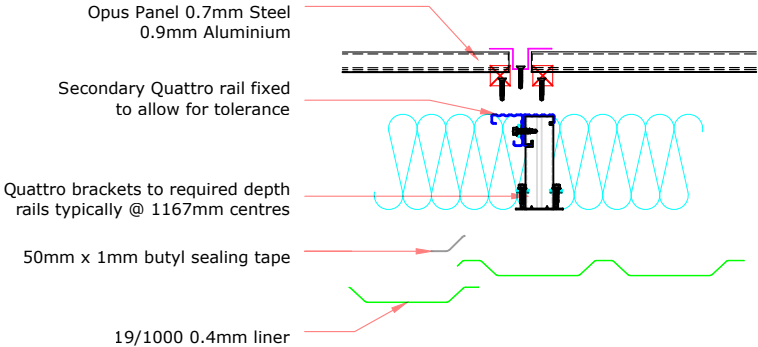
This draft drawing has been supplied by Euro Clad Ltd for the purpose of guidance free of charge. It is a suggested typical detail and as such should not be assumed suitable for any specific project or application. No responsibility is assumed for errors or misinterpretations resulting from the information contained in the drawing. Details are for illustration only and no liability is accepted. We reserve the right to change the details without notice. The drawing is copyright, it remains our property.

To be read in conjunction with Elite System specification documents

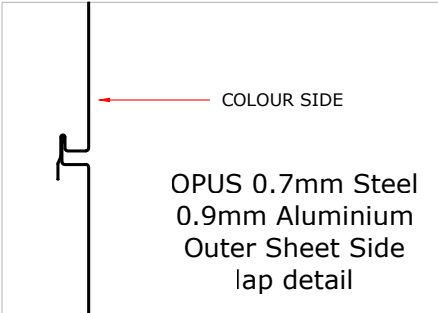
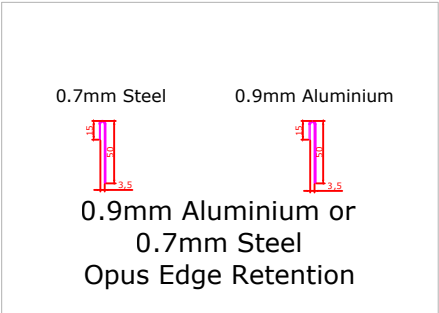
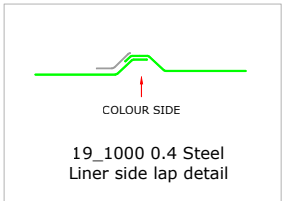
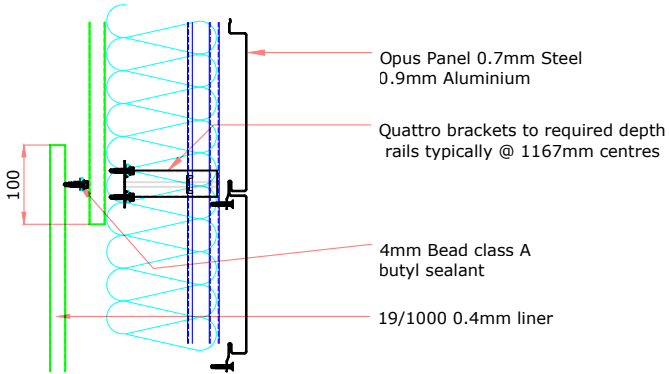
Please Note:
 WT75 Self Adhesive Barrier Tape must be used on Quattro rails when aluminium Opus is being used.

Please Note:
 System is Fire rated using Knauf Factoryclad 40 ECOSE insulation of minimum thickness 120mm with steel outer sheet only.
 Ensure roll edges are lapped/butted to ensure no gaps.
 Fire Resistance performance 120 minutes Integrity, 15 minutes (min) Insulation.
 Meets the requirements of Building Regulations Part B for external walls where fire attack is from inside the building and the wall is 1M or more from the boundary.
 The vertical joint detail is required to maintain continuity of the external metal skin to achieve fire rating.

ELITE SYSTEM 58 VERTICAL JOINT DETAIL



ELITE SYSTEM 58 HORIZONTAL JOINT DETAIL



NB: Module = Face + Gap size
Gap size should be kept uniform with the use of packers

TITLE: Elite System 58

DWG NO: E58

DRAWN: MP

CHECK: PCL

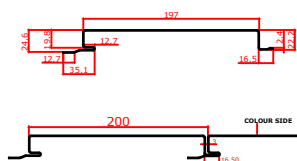
DATE: Dec 15

SCALE: NTS

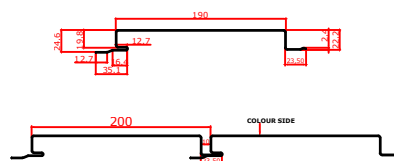
This draft drawing has been supplied by Euro Clad Ltd for the purpose of guidance free of charge. It is a suggested typical detail and as such should not be assumed suitable for any specific project or application. No responsibility is assumed for errors or misinterpretations resulting from the information contained in the drawing. Details are for illustration only and no liability is accepted. We reserve the right to change the details without notice. The drawing is copyright, it remains our property.

To be read in conjunction with Elite System specification documents

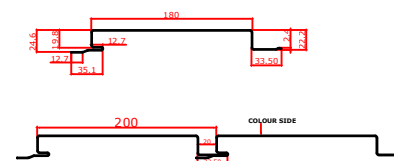
Plank 200mm Module



3mm Gap

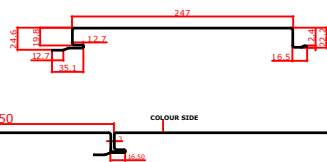


10mm Gap

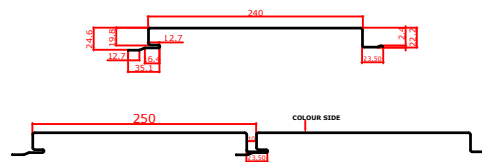


20mm Gap

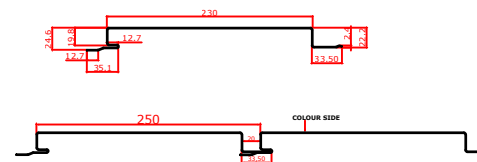
Plank 250mm Module



3mm Gap

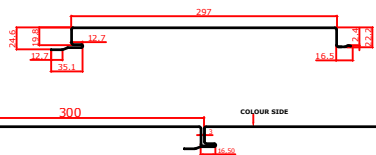


10mm Gap

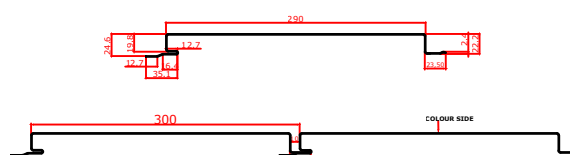


20mm Gap

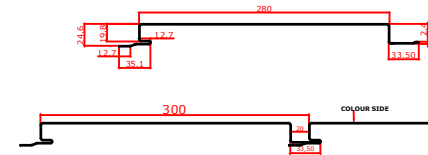
Plank 300mm Module



3mm Gap



10mm Gap



20mm Gap

TITLE: Elite System 58

DWG NO: E58

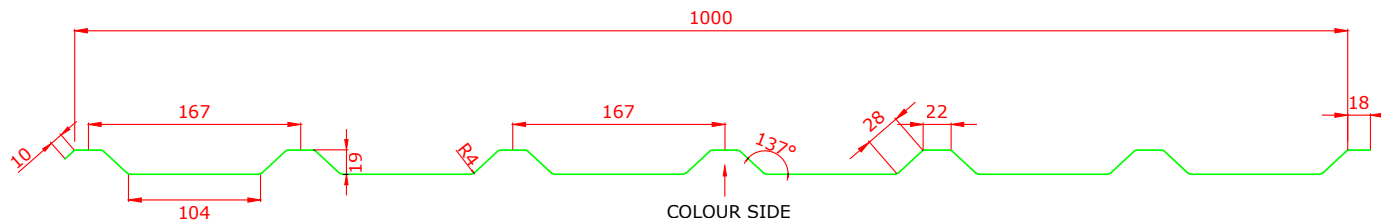
DRAWN: MP

CHECK: PCL

DATE: Dec 15

SCALE: NTS

EUROCLAD 19/1000 0.4mm LINER



This draft drawing has been supplied by Euro Clad Ltd for the purpose of guidance free of charge. It is a suggested typical detail and as such should not be assumed suitable for any specific project or application. No responsibility is assumed for errors or misinterpretations resulting from the information contained in the drawing. Details are for illustration only and no liability is accepted. We reserve the right to change the details without notice. The drawing is copyright, it remains our property.

To be read in conjunction with Elite System specification documents

TITLE: Elite System 58

DWG NO: E58

DRAWN: MP

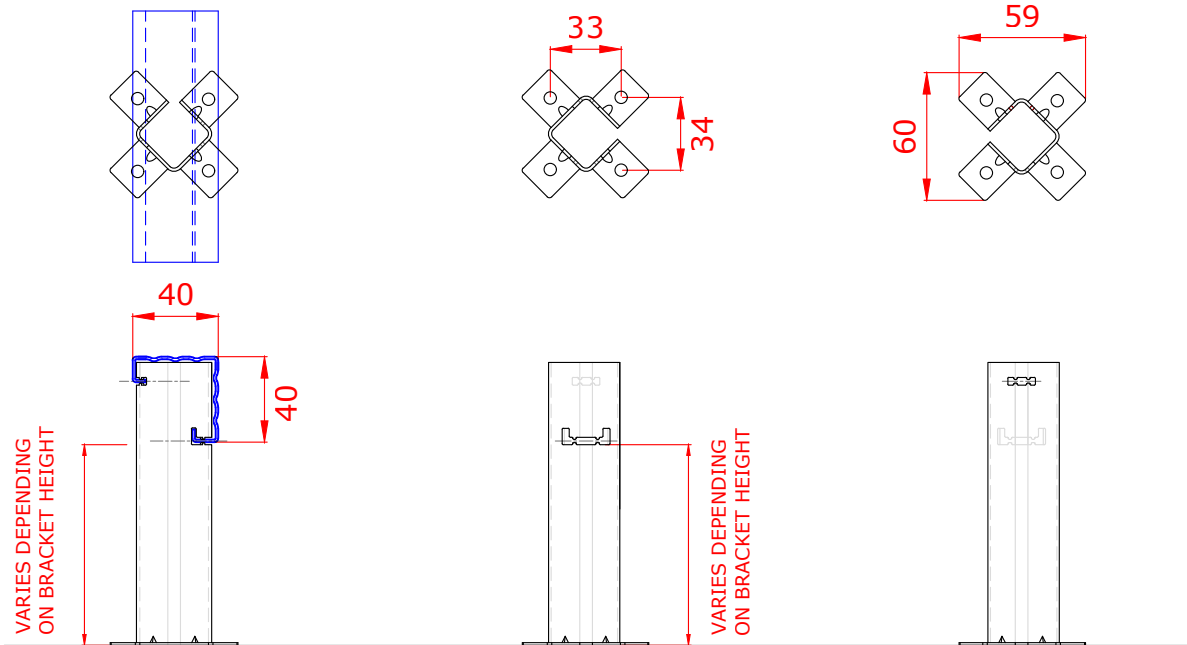
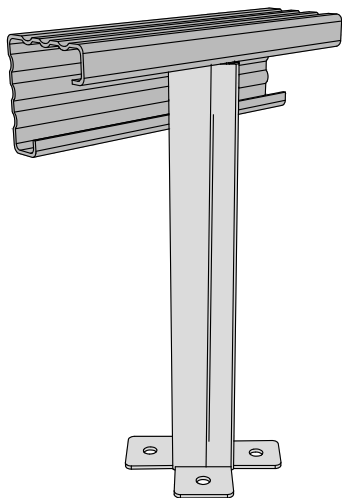
CHECK: PCL

DATE: Dec 15

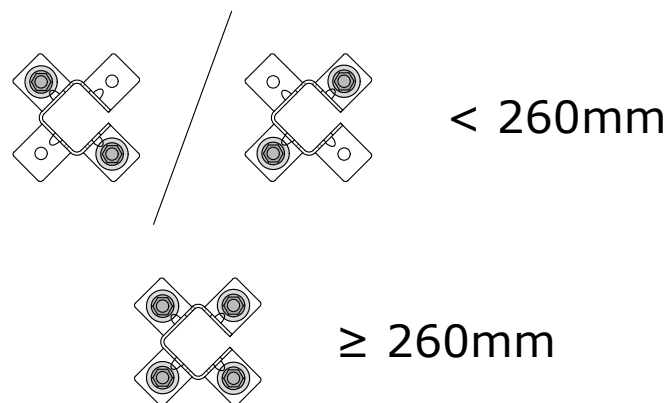
SCALE: NTS

This draft drawing has been supplied by Euro Clad Ltd for the purpose of guidance free of charge. It is a suggested typical detail and as such should not be assumed suitable for any specific project or application. No responsibility is assumed for errors or misinterpretations resulting from the information contained in the drawing. Details are for illustration only and no liability is accepted. We reserve the right to change the details without notice. The drawing is copyright, it remains our property.

To be read in conjunction with Elite System specification documents



Brackets less than 260mm require 2 fixings diagonally opposite.
Brackets 260mm or more require 4 fixings.



TITLE: Elite System 58

DWG NO: E58

DRAWN: MP

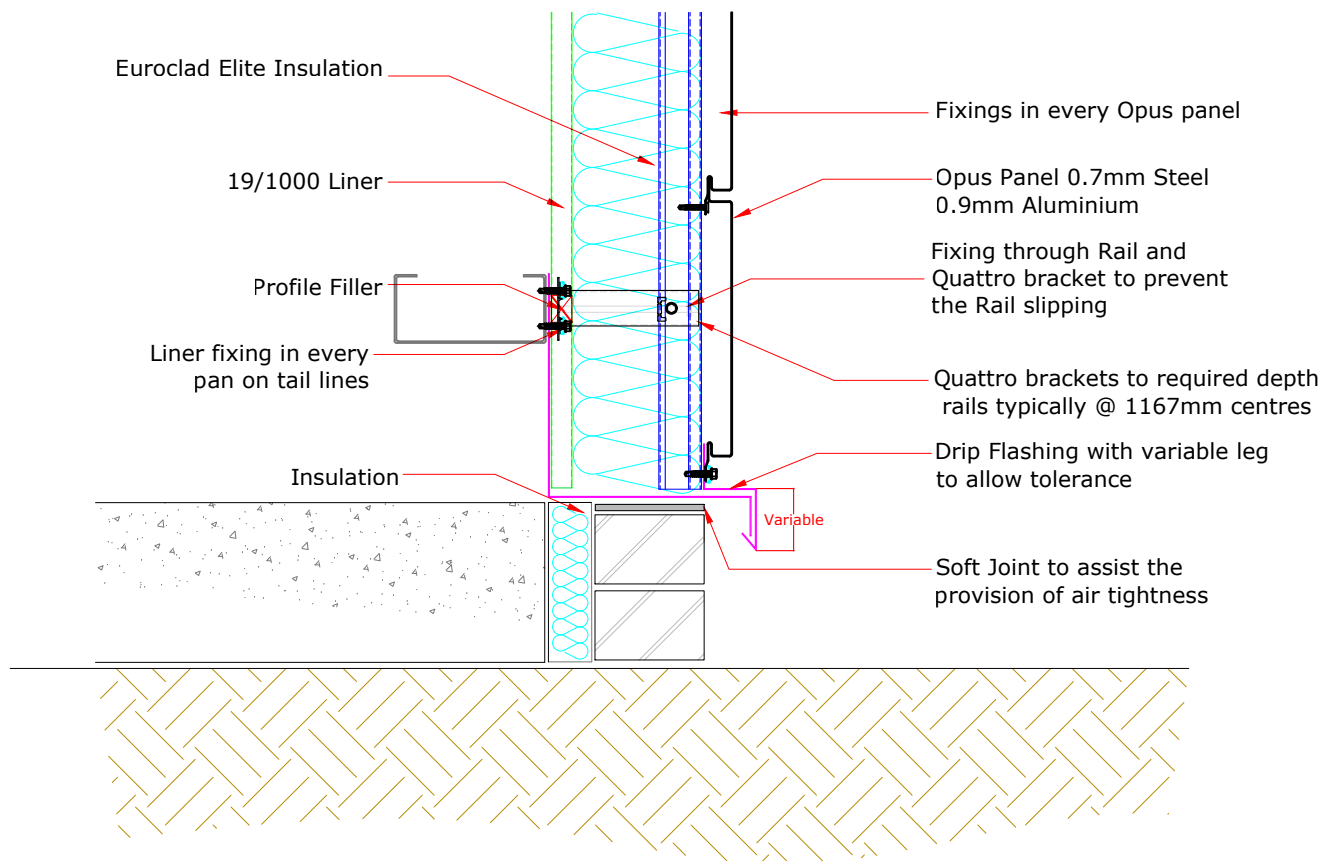
CHECK: PCL

DATE: Dec 15

SCALE: NTS

This draft drawing has been supplied by Euro Clad Ltd for the purpose of guidance free of charge. It is a suggested typical detail and as such should not be assumed suitable for any specific project or application. No responsibility is assumed for errors or misinterpretations resulting from the information contained in the drawing. Details are for illustration only and no liability is accepted. We reserve the right to change the details without notice. The drawing is copyright, it remains our property.

To be read in conjunction with Elite System specification documents



ELITE SYSTEMS



www.euroclad.com
Tel: +44 (0)2922 010 101
Fax: +44 (0)2922 010 122

TITLE: Elite System 58

DWG NO: E58

DRAWN: MP

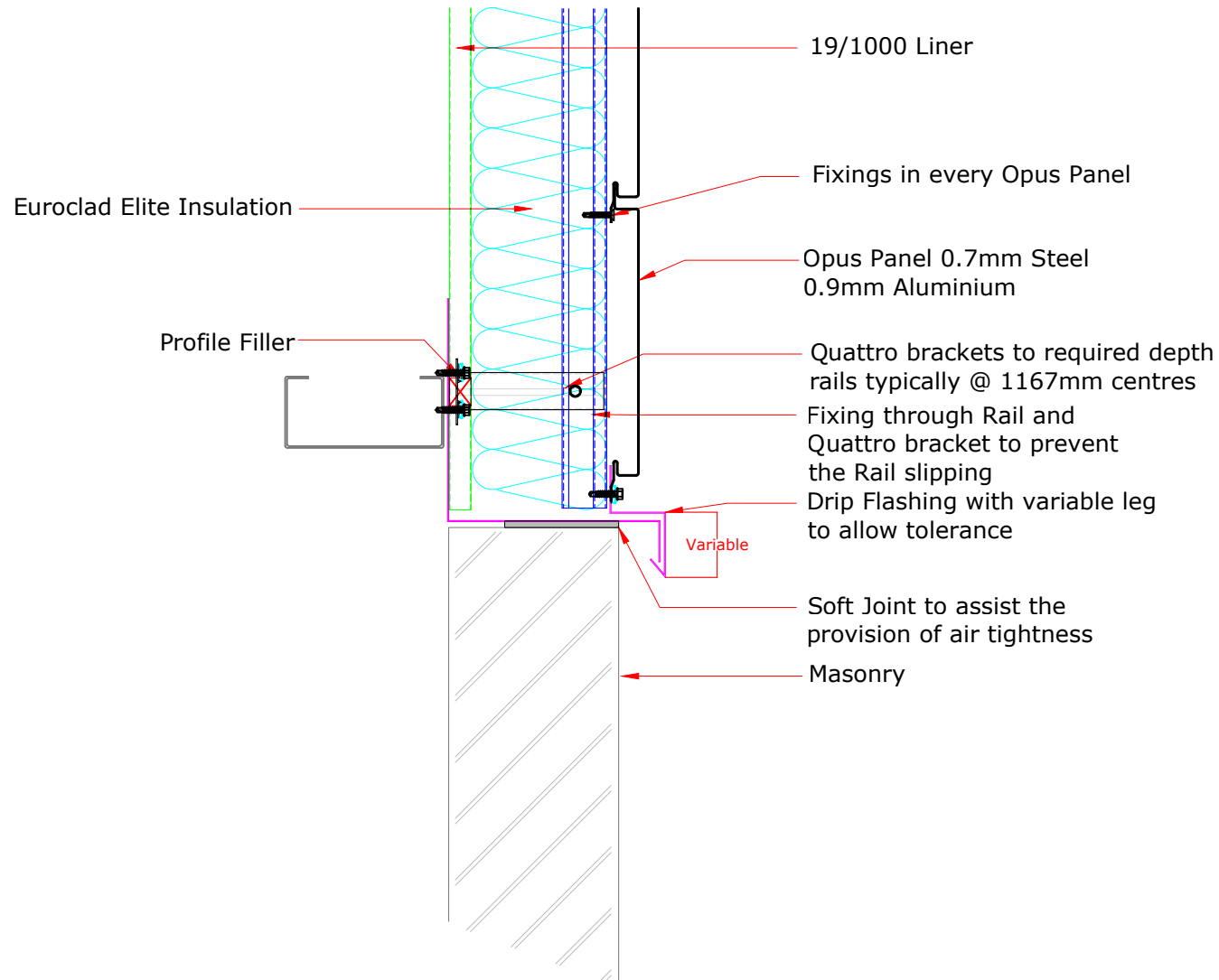
CHECK: PCL

DATE: Dec 15

SCALE: NTS

This draft drawing has been supplied by Euro Clad Ltd for the purpose of guidance free of charge. It is a suggested typical detail and as such should not be assumed suitable for any specific project or application. No responsibility is assumed for errors or misinterpretations resulting from the information contained in the drawing. Details are for illustration only and no liability is accepted. We reserve the right to change the details without notice. The drawing is copyright, it remains our property.

To be read in conjunction with Elite System specification documents



ELITE SYSTEMS

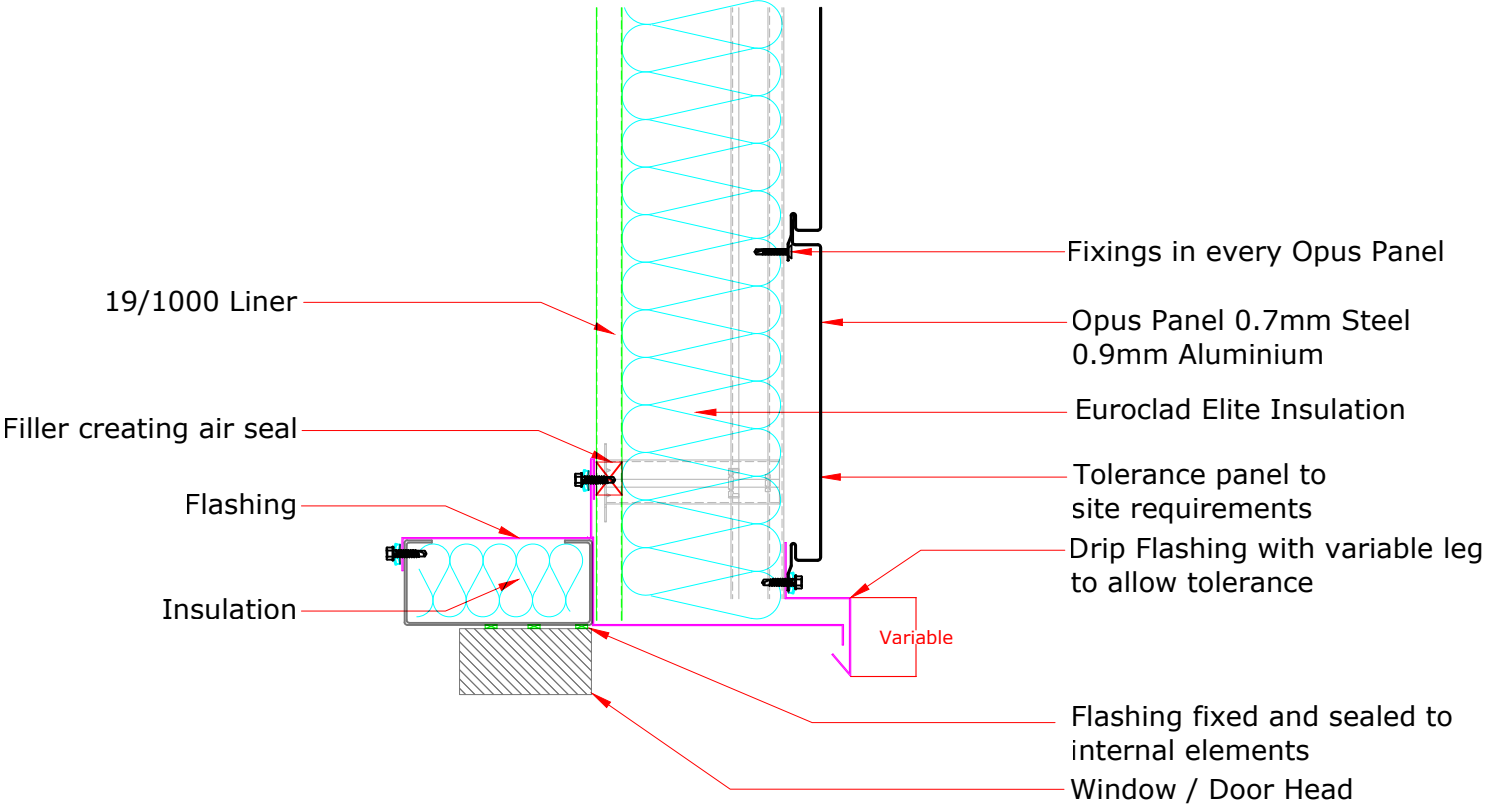


www.euroclad.com
 Tel: +44 (0)2922 010 101
 Fax: +44 (0)2922 010 122

TITLE: Elite System 58
 DWG NO: E58
 DRAWN: MP
 CHECK: PCL
 DATE: Dec 15
 SCALE: NTS

This draft drawing has been supplied by Euro Clad Ltd for the purpose of guidance free of charge. It is a suggested typical detail and as such should not be assumed suitable for any specific project or application. No responsibility is assumed for errors or misinterpretations resulting from the information contained in the drawing. Details are for illustration only and no liability is accepted. We reserve the right to change the details without notice. The drawing is copyright, it remains our property.

To be read in conjunction with Elite System specification documents



ELITE SYSTEMS

EUROCLAD

www.euroclad.com
Tel: +44 (0)2922 010 101
Fax: +44 (0)2922 010 122

TITLE: Elite System 58

DWG NO: E58

DRAWN: MP

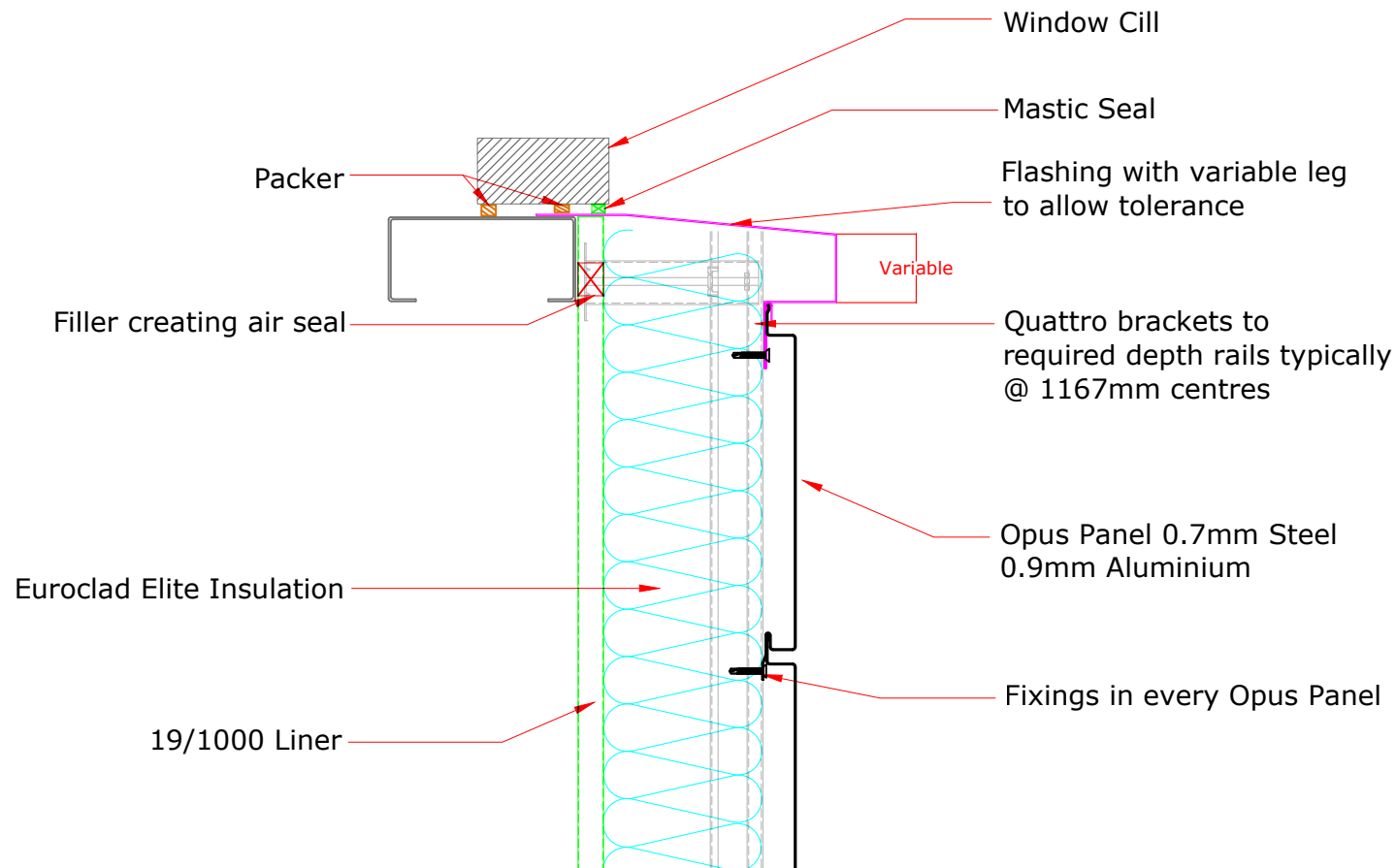
CHECK: PCL

DATE: Dec 15

SCALE: NTS

This draft drawing has been supplied by Euro Clad Ltd for the purpose of guidance free of charge. It is a suggested typical detail and as such should not be assumed suitable for any specific project or application. No responsibility is assumed for errors or misinterpretations resulting from the information contained in the drawing. Details are for illustration only and no liability is accepted. We reserve the right to change the details without notice. The drawing is copyright, it remains our property.

To be read in conjunction with Elite System specification documents



TITLE: Elite System 58

DWG NO: E58

DRAWN: MP

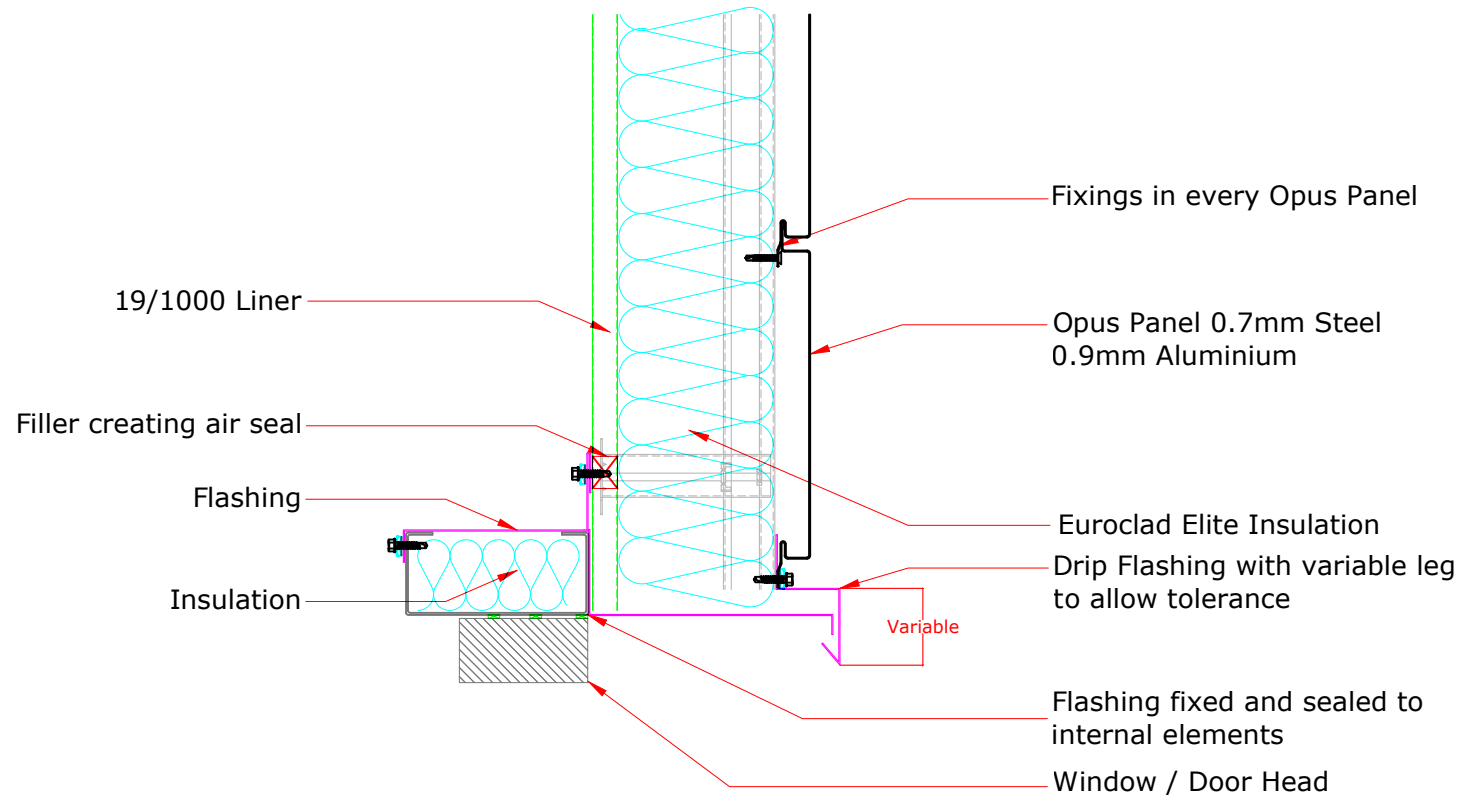
CHECK: PCL

DATE: Dec 15

SCALE: NTS

This draft drawing has been supplied by Euro Clad Ltd for the purpose of guidance free of charge. It is a suggested typical detail and as such should not be assumed suitable for any specific project or application. No responsibility is assumed for errors or misinterpretations resulting from the information contained in the drawing. Details are for illustration only and no liability is accepted. We reserve the right to change the details without notice. The drawing is copyright, it remains our property.

To be read in conjunction with Elite System specification documents



TITLE: Elite System 58

DWG NO: E58

DRAWN: MP

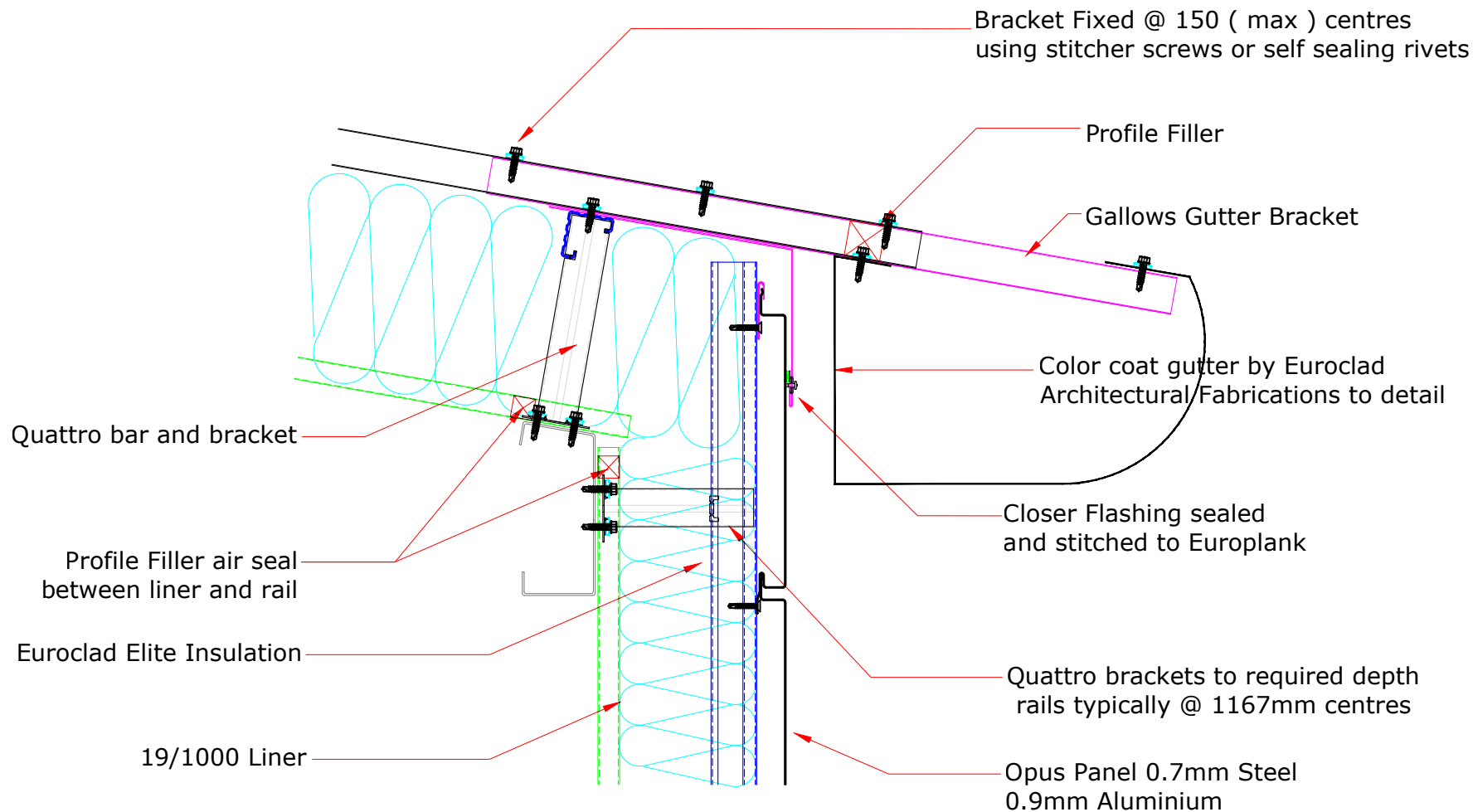
CHECK: PCL

DATE: Dec 15

SCALE: NTS

This draft drawing has been supplied by Euro Clad Ltd for the purpose of guidance free of charge. It is a suggested typical detail and as such should not be assumed suitable for any specific project or application. No responsibility is assumed for errors or misinterpretations resulting from the information contained in the drawing. Details are for illustration only and no liability is accepted. We reserve the right to change the details without notice. The drawing is copyright, it remains our property.

To be read in conjunction with Elite System specification documents



ELITE SYSTEMS



www.euroclad.com
Tel: +44 (0)2922 010 101
Fax: +44 (0)2922 010 122

TITLE: Elite System 58

DWG NO: E58

DRAWN: MP

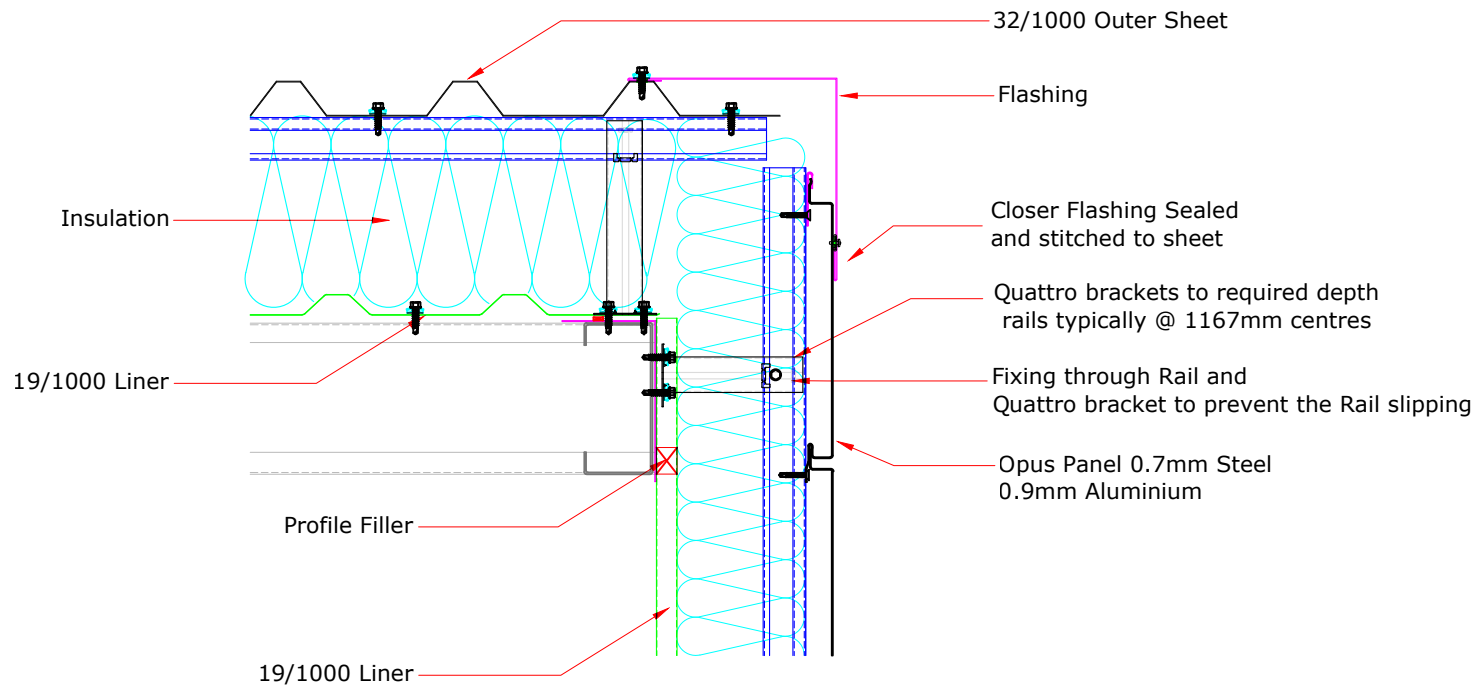
CHECK: PCL

DATE: Dec 15

SCALE: NTS

This draft drawing has been supplied by Euro Clad Ltd for the purpose of guidance free of charge. It is a suggested typical detail and as such should not be assumed suitable for any specific project or application. No responsibility is assumed for errors or misinterpretations resulting from the information contained in the drawing. Details are for illustration only and no liability is accepted. We reserve the right to change the details without notice. The drawing is copyright, it remains our property.

To be read in conjunction with Elite System specification documents





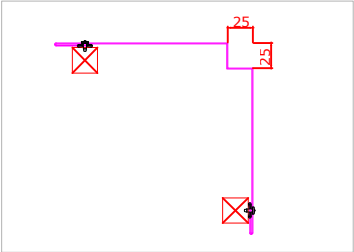
www.euroclad.com
 Tel: +44 (0)2922 010 101
 Fax: +44 (0)2922 010 122

TITLE: Elite System 58
 DWG NO: E58
 DRAWN: MP
 CHECK: PCL
 DATE: Dec 15
 SCALE: NTS

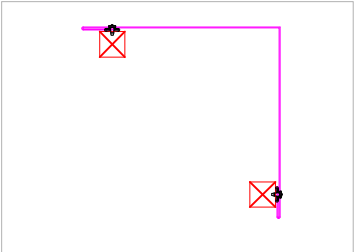
This draft drawing has been supplied by Euro Clad Ltd for the purpose of guidance free of charge. It is a suggested typical detail and as such should not be assumed suitable for any specific project or application. No responsibility is assumed for errors or misinterpretations resulting from the information contained in the drawing. Details are for illustration only and no liability is accepted. We reserve the right to change the details without notice. The drawing is copyright, it remains our property.

To be read in conjunction with Elite System specification documents

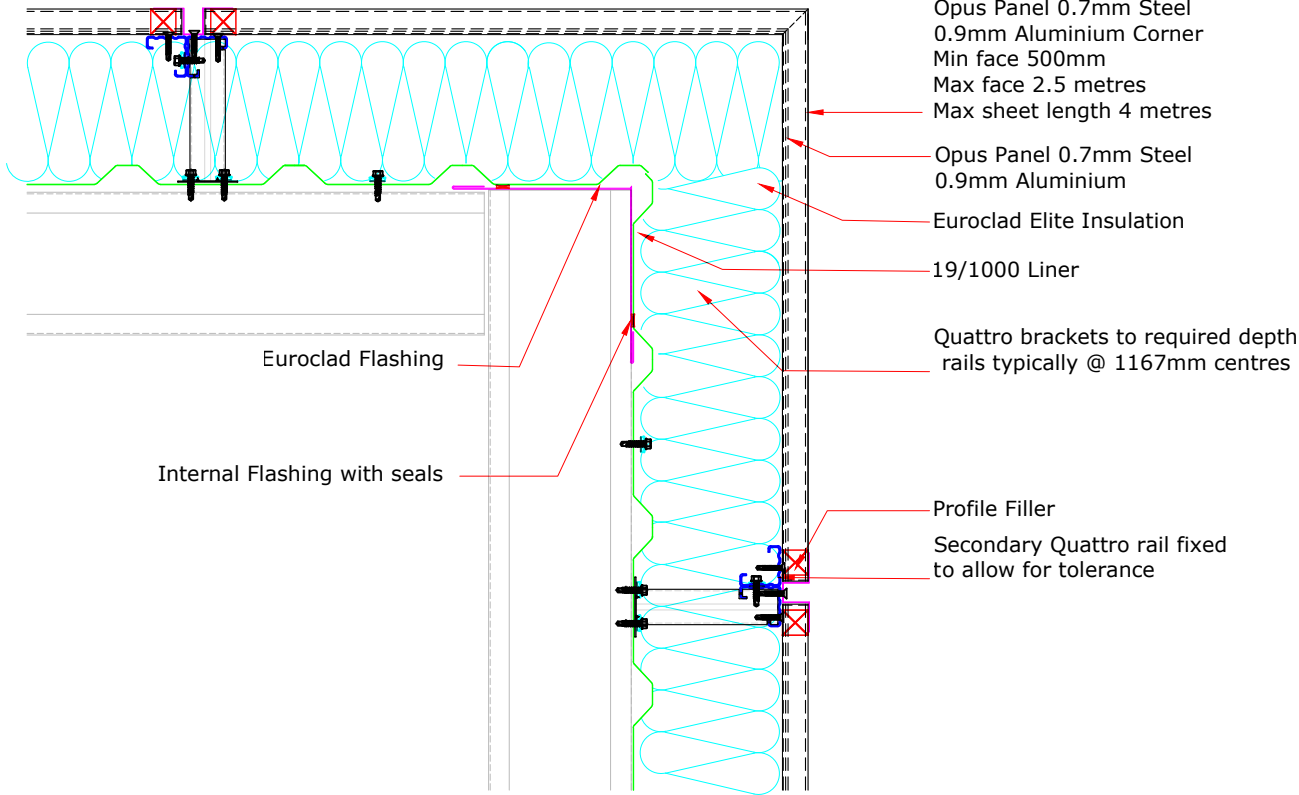
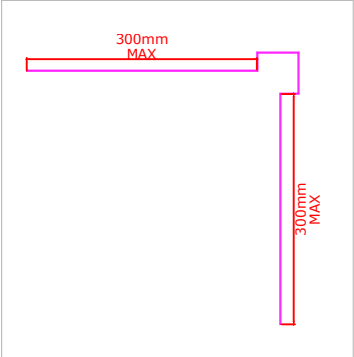
Face fixed reverse box flashing



Face fixed flashing



Secret fixed box flashing



Opus Panel 0.7mm Steel
 0.9mm Aluminium Corner
 Min face 500mm
 Max face 2.5 metres
 Max sheet length 4 metres

Opus Panel 0.7mm Steel
 0.9mm Aluminium
 Euroclad Elite Insulation
 19/1000 Liner

Quattro brackets to required depth
 rails typically @ 1167mm centres

Profile Filler
 Secondary Quattro rail fixed
 to allow for tolerance

Euroclad Flashing

Internal Flashing with seals

TITLE: Elite System 58

DWG NO: E58

DRAWN: MP

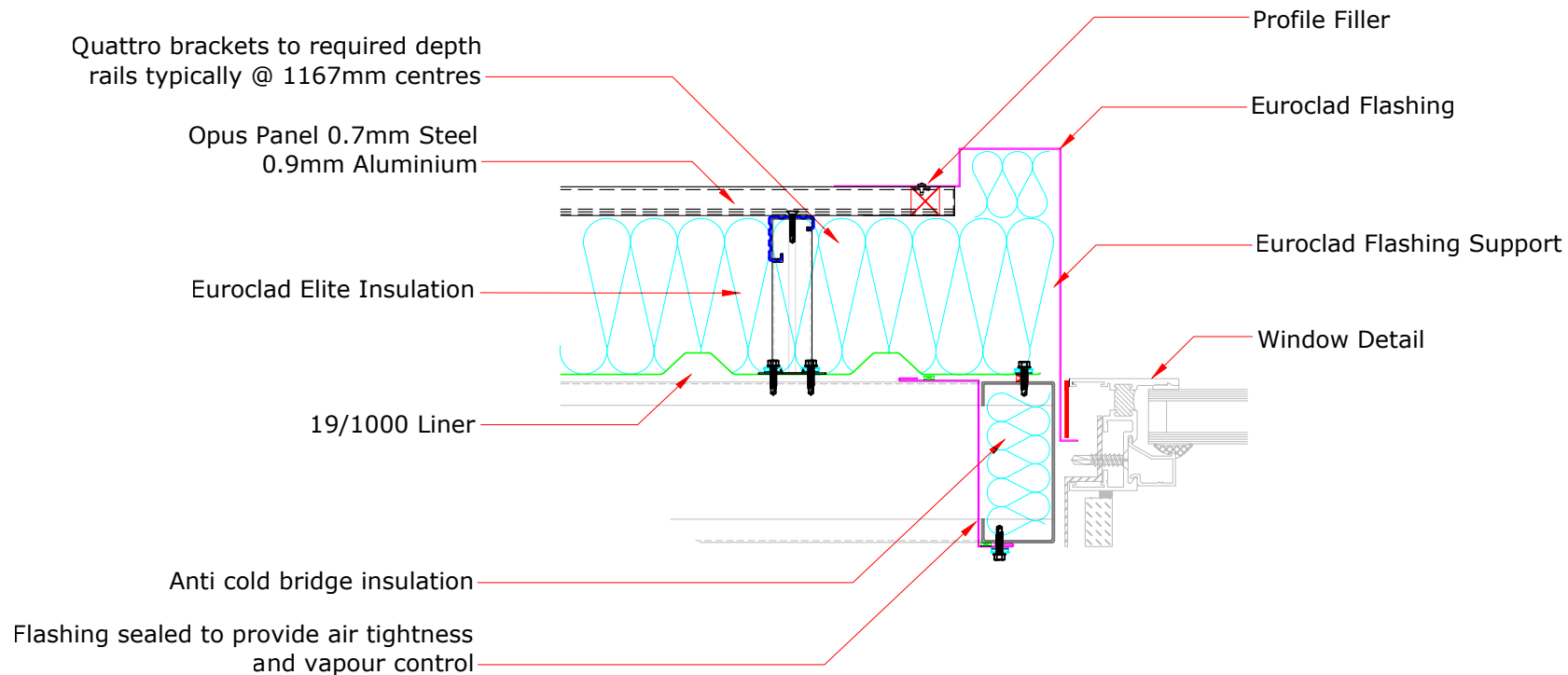
CHECK: PCL

DATE: Dec 15

SCALE: NTS

This draft drawing has been supplied by Euro Clad Ltd for the purpose of guidance free of charge. It is a suggested typical detail and as such should not be assumed suitable for any specific project or application. No responsibility is assumed for errors or misinterpretations resulting from the information contained in the drawing. Details are for illustration only and no liability is accepted. We reserve the right to change the details without notice. The drawing is copyright, it remains our property.

To be read in conjunction with Elite System specification documents



TITLE: Elite System 58

DWG NO: E58

DRAWN: MP

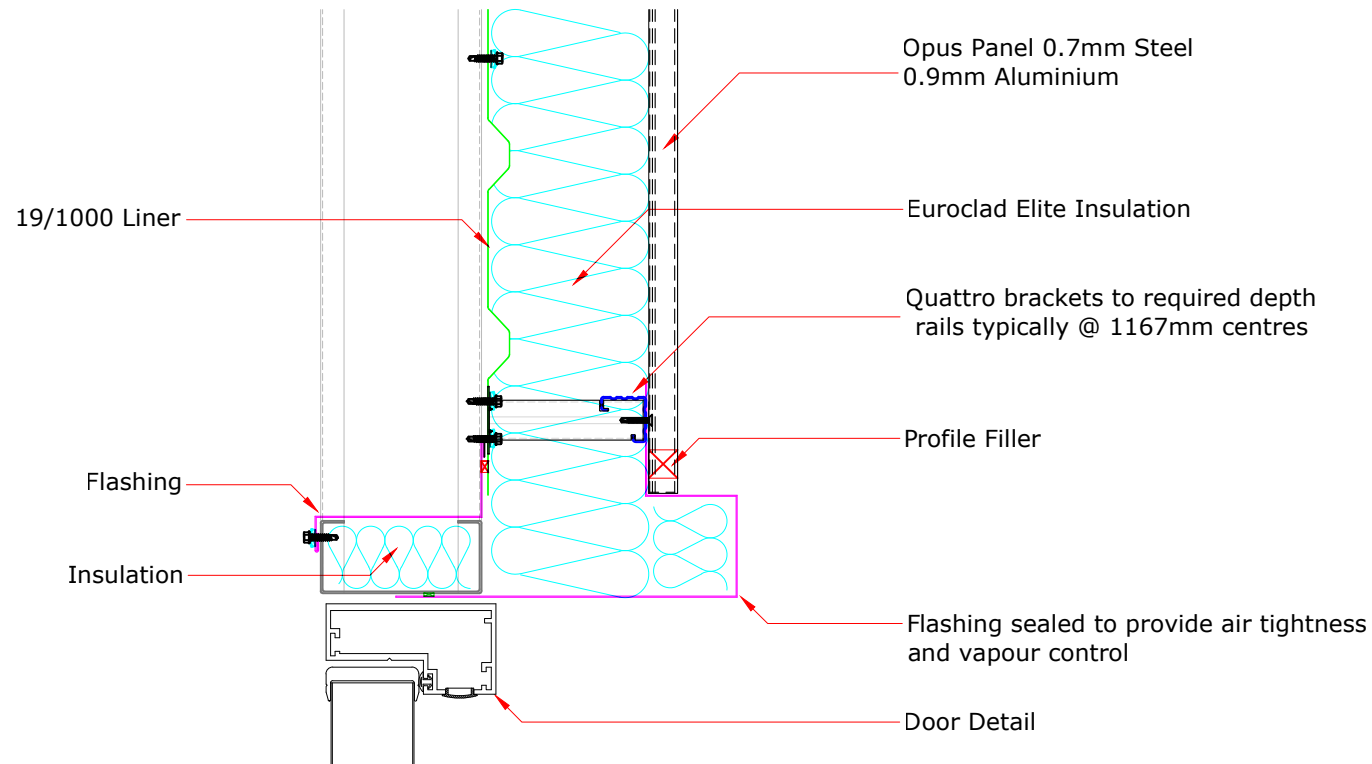
CHECK: PCL

DATE: Dec 15

SCALE: NTS

This draft drawing has been supplied by Euro Clad Ltd for the purpose of guidance free of charge. It is a suggested typical detail and as such should not be assumed suitable for any specific project or application. No responsibility is assumed for errors or misinterpretations resulting from the information contained in the drawing. Details are for illustration only and no liability is accepted. We reserve the right to change the details without notice. The drawing is copyright, it remains our property.

To be read in conjunction with Elite System specification documents



TITLE: Elite System 58

DWG NO: E58

DRAWN: MP

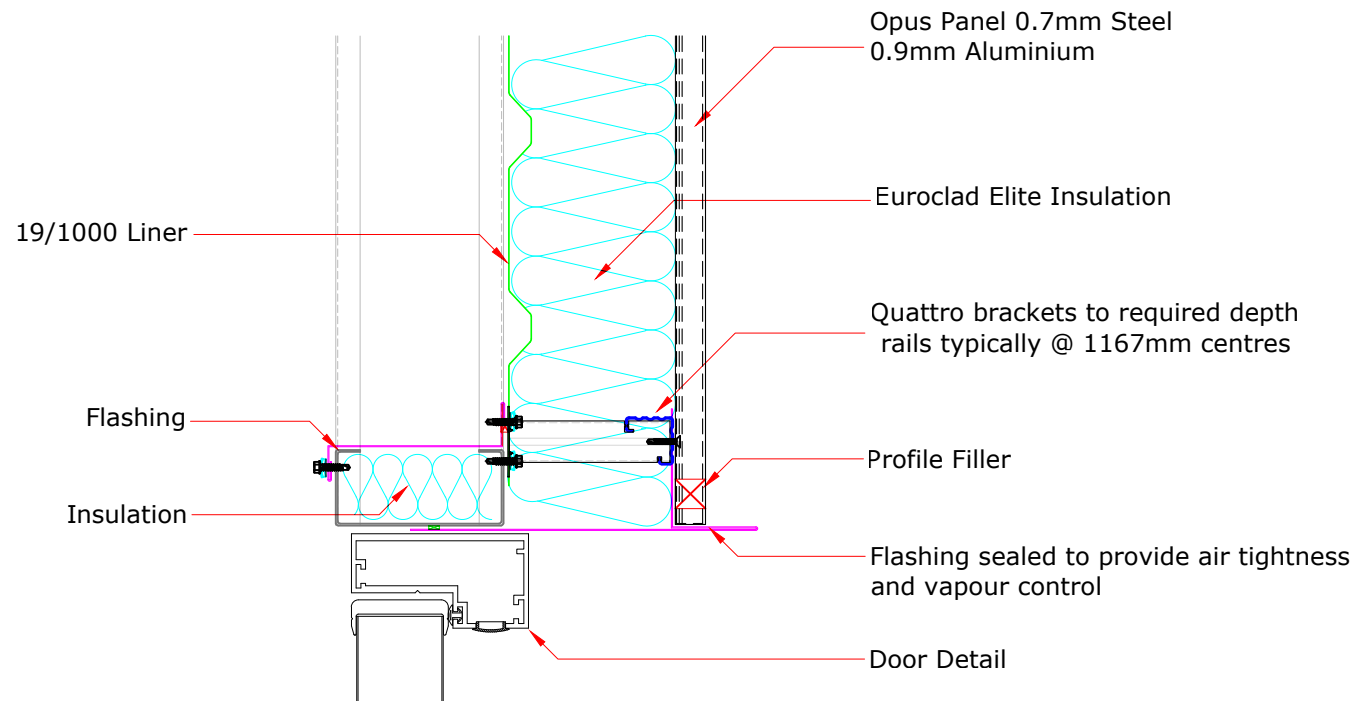
CHECK: PCL

DATE: Dec 15

SCALE: NTS

This draft drawing has been supplied by Euro Clad Ltd for the purpose of guidance free of charge. It is a suggested typical detail and as such should not be assumed suitable for any specific project or application. No responsibility is assumed for errors or misinterpretations resulting from the information contained in the drawing. Details are for illustration only and no liability is accepted. We reserve the right to change the details without notice. The drawing is copyright, it remains our property.

To be read in conjunction with Elite System specification documents



TITLE: Elite System 58

DWG NO: E58

DRAWN: MP

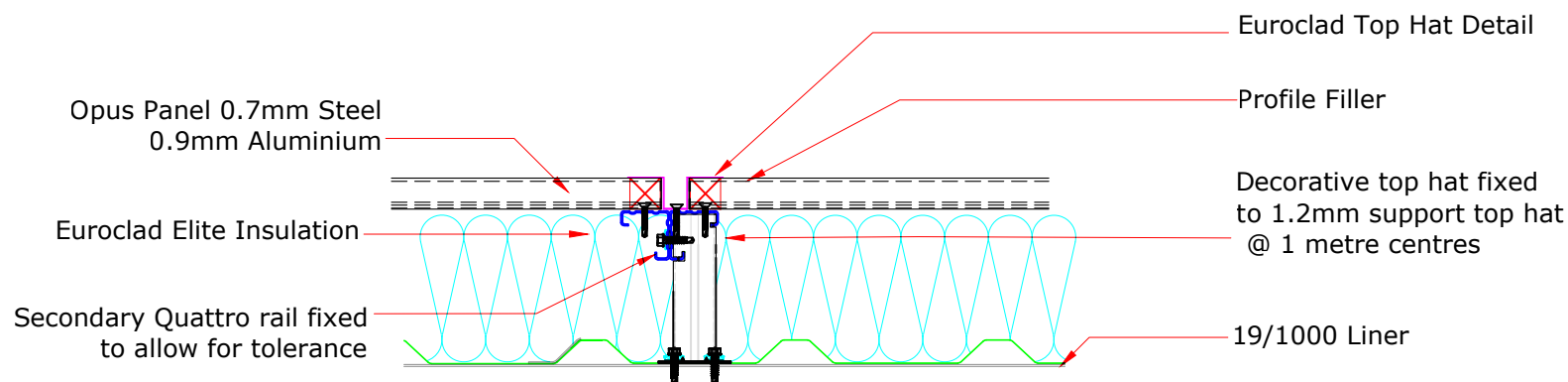
CHECK: PCL

DATE: Dec 15

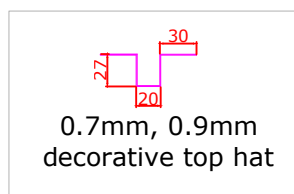
SCALE: NTS

This draft drawing has been supplied by Euro Clad Ltd for the purpose of guidance free of charge. It is a suggested typical detail and as such should not be assumed suitable for any specific project or application. No responsibility is assumed for errors or misinterpretations resulting from the information contained in the drawing. Details are for illustration only and no liability is accepted. We reserve the right to change the details without notice. The drawing is copyright, it remains our property.

To be read in conjunction with Elite System specification documents



Please Note: The vertical joint detail is required to maintain continuity of the external metal skin to achieve fire rating performance of 120 minutes Integrity, 15 minutes (min) Insulation.



TITLE: Elite System 58

DWG NO: E58

DRAWN: MP

CHECK: PCL

DATE: Dec 15

SCALE: NTS

This draft drawing has been supplied by Euro Clad Ltd for the purpose of guidance free of charge. It is a suggested typical detail and as such should not be assumed suitable for any specific project or application. No responsibility is assumed for errors or misinterpretations resulting from the information contained in the drawing. Details are for illustration only and no liability is accepted. We reserve the right to change the details without notice. The drawing is copyright, it remains our property.

To be read in conjunction with Elite System specification documents

