

ELITE SYSTEMS



www.euroclad.com
Tel: +44 (0)2922 010 101
Fax: +44 (0)2922 010 122

TITLE: Elite System 52

DWG NO: E52

DRAWN: MP

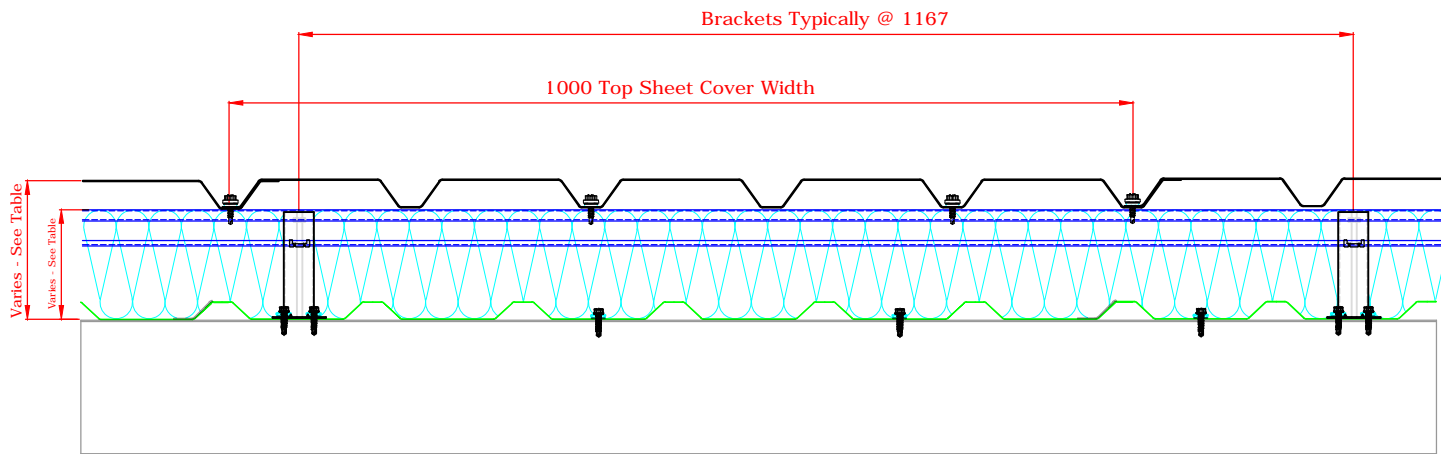
CHECK: PCL

DATE: Sep 2015

SCALE: NTS

This draft drawing has been supplied by Euro Clad Ltd for the purpose of guidance free of charge. It is a suggested typical detail and as such should not be assumed suitable for any specific project or application. No responsibility is assumed for errors or misinterpretations resulting from the information contained in the drawing. Details are for illustration only and no liability is accepted. We reserve the right to change the details without notice. The drawing is copyright, it remains our property.

To be read in conjunction with Elite System specification documents



Elite System 52

Bracket Height	Insulation Thickness	Insulation Value	Overall System Depth	U Value at 1.8M Centres
120mm	120mm	0.040	152mm	0.35
140mm	140mm	0.040	162mm	0.30
150mm	150mm*/160mm	0.040	172mm	0.28
160mm	160mm	0.040	192mm	0.26
170mm	180mm	0.040	202mm	0.25
180mm	180mm	0.040	212mm	0.24
200mm	200mm	0.040	232mm	0.21
220mm	220mm	0.040	252mm	0.19
240mm	240mm	0.040	272mm	0.18
260mm	260mm	0.040	292mm	0.17
280mm	280mm	0.040	312mm	0.15
300mm	300mm	0.040	332mm	0.14
320mm	320mm	0.040	352mm	0.13

* Only available in Rockwool Cladding Roll

Please Note:

System is Fire rated using Knauf Factoryclad 40 ECOSE insulation of minimum thickness 120mm with steel outer sheet only.

Ensure roll edges are lapped/butted to ensure no gaps.

Fire Resistance performance 120 minutes Integrity, 15 minutes (min) Insulation.

Meets the requirements of Building Regulations Part B for external walls where fire attack is from inside the building and the wall is 1M or more from the boundary.

Please Note:
 System is Fire rated using Knauf Factoryclad 40 ECOSE insulation of minimum thickness 120mm with steel outer sheet only.
 Ensure roll edges are lapped/butted to ensure no gaps.
 Fire Resistance performance 120 minutes Integrity, 15 minutes (min) Insulation.
 Meets the requirements of Building Regulations Part B for external walls where fire attack is from inside the building and the wall is 1M or more from the boundary.

ELITE SYSTEMS

EUROCLAD

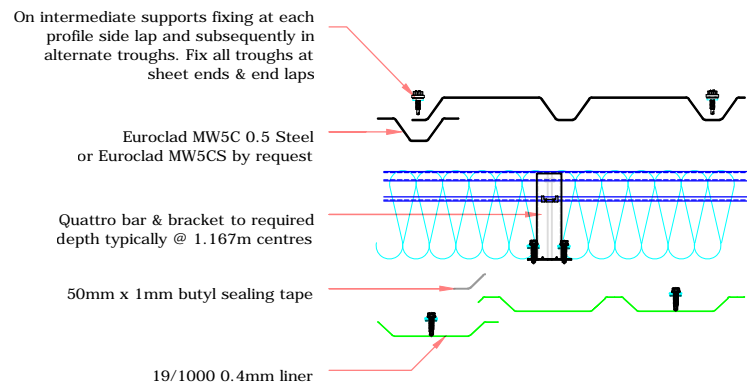
www.euroclad.com
 Tel: +44 (0)2922 010 101
 Fax: +44 (0)2922 010 122

TITLE: Elite System 52
 DWG NO: E52
 DRAWN: MP
 CHECK: PCL
 DATE: Sep 2015
 SCALE: NTS

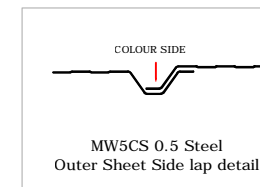
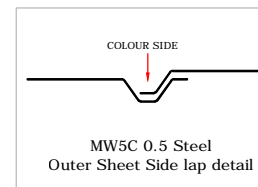
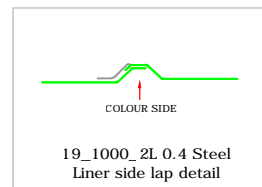
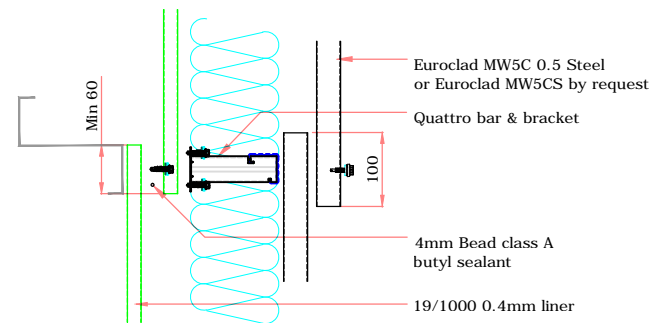
This draft drawing has been supplied by Euro Clad Ltd for the purpose of guidance free of charge. It is a suggested typical detail and as such should not be assumed suitable for any specific project or application. No responsibility is assumed for errors or misinterpretations resulting from the information contained in the drawing. Details are for illustration only and no liability is accepted. We reserve the right to change the details without notice. The drawing is copyright, it remains our property.

To be read in conjunction with Elite System specification documents

ELITE SYSTEM 52 SIDE LAP DETAIL



ELITE SYSTEM 52 END LAP DETAIL



ELITE SYSTEMS

EUROCLAD

www.euroclad.com
Tel: +44 (0)2922 010 101
Fax: +44 (0)2922 010 122

TITLE: Elite System 52

DWG NO: E52

DRAWN: MP

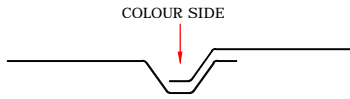
CHECK: PCL

DATE: Sep 2015

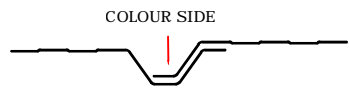
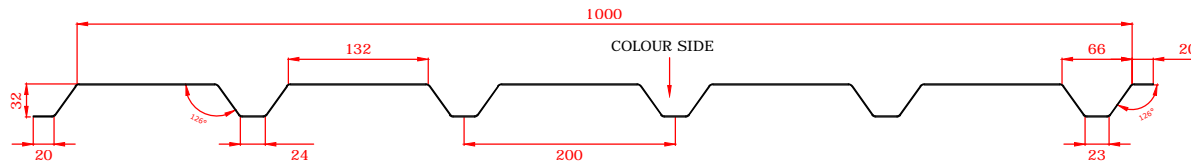
SCALE: NTS

This draft drawing has been supplied by Euro Clad Ltd for the purpose of guidance free of charge. It is a suggested typical detail and as such should not be assumed suitable for any specific project or application. No responsibility is assumed for errors or misinterpretations resulting from the information contained in the drawing. Details are for illustration only and no liability is accepted. We reserve the right to change the details without notice. The drawing is copyright, it remains our property.

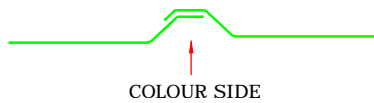
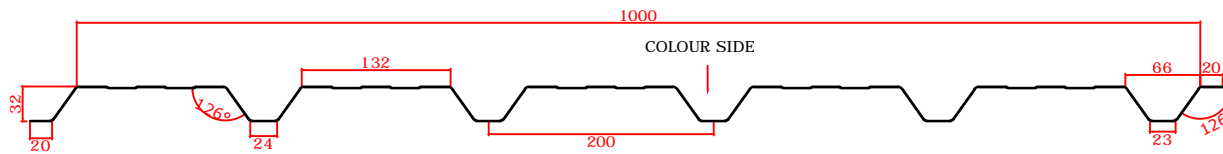
To be read in conjunction with Elite System specification documents



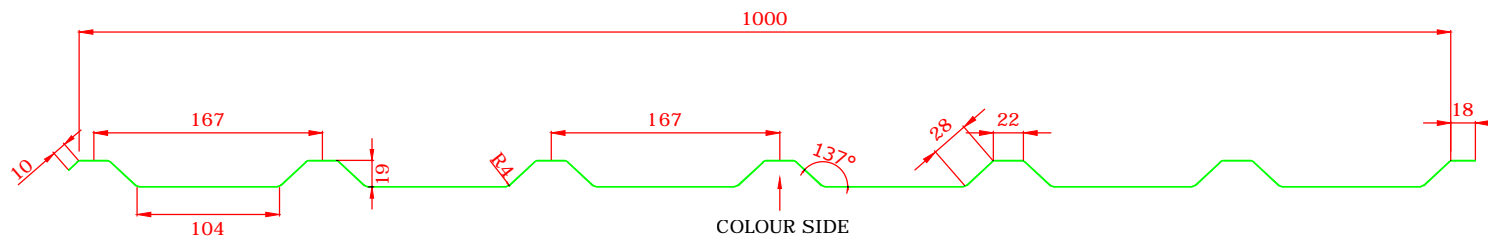
EUROCLAD MW5C 0.5mm EXTERNAL SHEET



EUROCLAD MW5CS 0.5mm EXTERNAL SHEET



EUROCLAD 19/1000 0.4mm LINER



ELITE SYSTEMS

EUROCLAD

www.euroclad.com
Tel: +44 (0)2922 010 101
Fax: +44 (0)2922 010 122

TITLE: Elite System 52

DWG NO: E52

DRAWN: MP

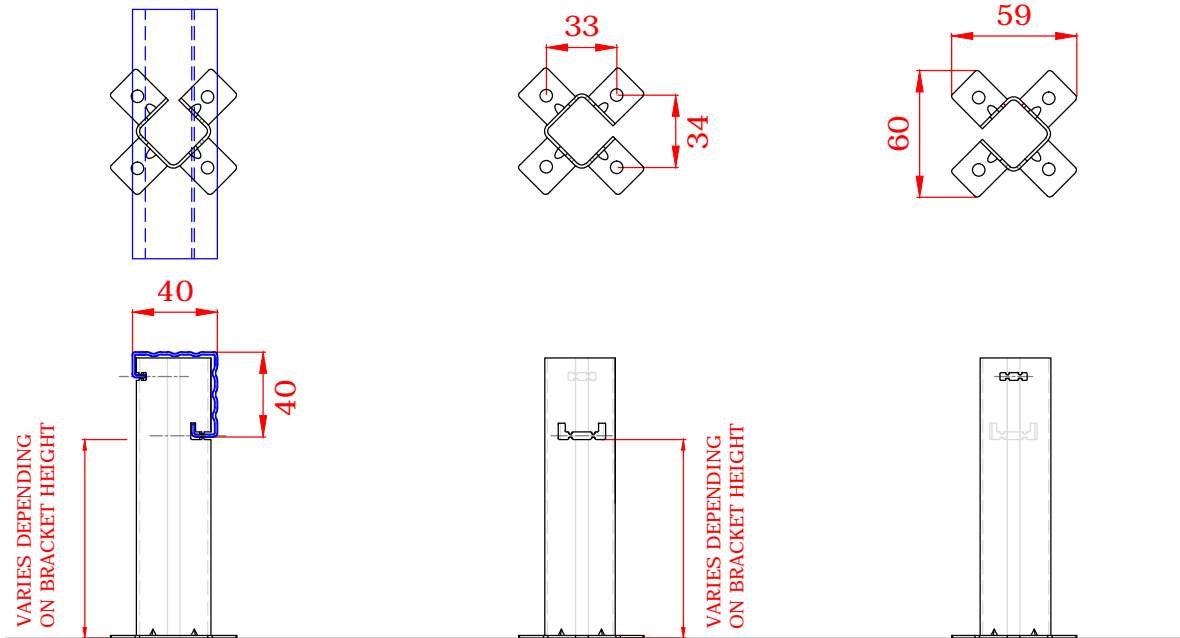
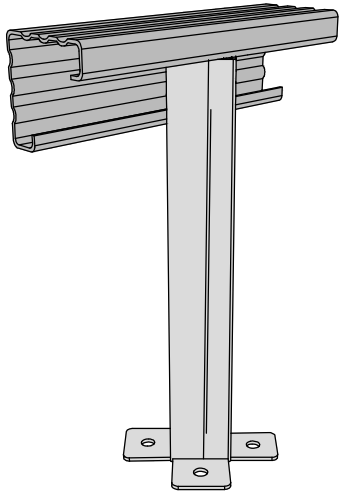
CHECK: PCL

DATE: Sep 2015

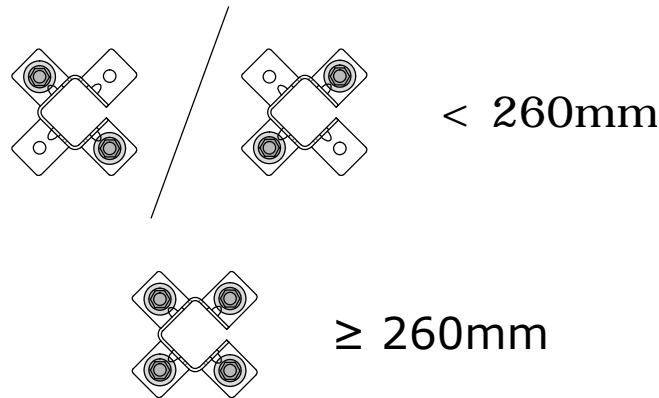
SCALE: NTS

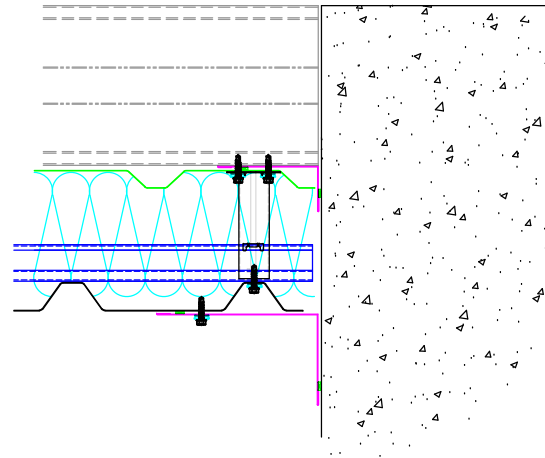
This draft drawing has been supplied by Euro Clad Ltd for the purpose of guidance free of charge. It is a suggested typical detail and as such should not be assumed suitable for any specific project or application. No responsibility is assumed for errors or misinterpretations resulting from the information contained in the drawing. Details are for illustration only and no liability is accepted. We reserve the right to change the details without notice. The drawing is copyright, it remains our property.

To be read in conjunction with Elite System specification documents



Brackets less than 260mm require 2 fixings diagonally opposite.
Brackets 260mm or more require 4 fixings.





EUROCLAD ELITE SYSTEM 52 WALL CONSTRUCTION

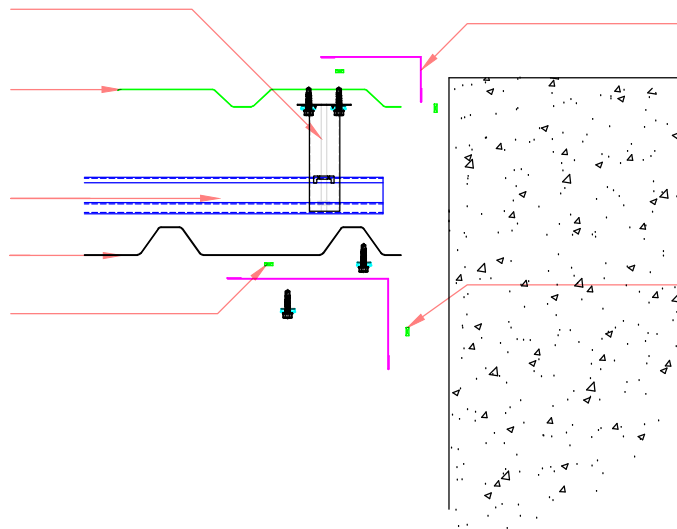
Quattro Bracket to required depth typically @ 1167mm centres

Euroclad 19/1000 0.4 Steel Liner

Quattro Spacer Rail

Euroclad MW5C 0.5 Steel

9 x 3mm Class A Butyl Sealant



Liner flashing sealed to masonry Class A Butyl Sealant to thickness required to provide adequate air sealing to masonry wall.

Class A Butyl Sealant to thickness required to provide adequate air sealing to masonry wall.

Insulation excluded for clarity
A range of mineral & glass wool insulations are available for different requirements

ELITE SYSTEMS

EUROCLAD

www.euroclad.com
Tel: +44 (0)2922 010 101
Fax: +44 (0)2922 010 122

TITLE: Elite System 52
DWG NO: E52
DRAWN: MP
CHECK: PCL
DATE: Sep 2015
SCALE: NTS

This draft drawing has been supplied by Euro Clad Ltd for the purpose of guidance free of charge. It is a suggested typical detail and as such should not be assumed suitable for any specific project or application. No responsibility is assumed for errors or misinterpretations resulting from the information contained in the drawing. Details are for illustration only and no liability is accepted. We reserve the right to change the details without notice. The drawing is copyright, it remains our property.

To be read in conjunction with Elite System specification documents

ELITE SYSTEMS

EUROCLAD

www.euroclad.com
Tel: +44 (0)2922 010 101
Fax: +44 (0)2922 010 122

TITLE: Elite System 52

DWG NO: E52

DRAWN: MP

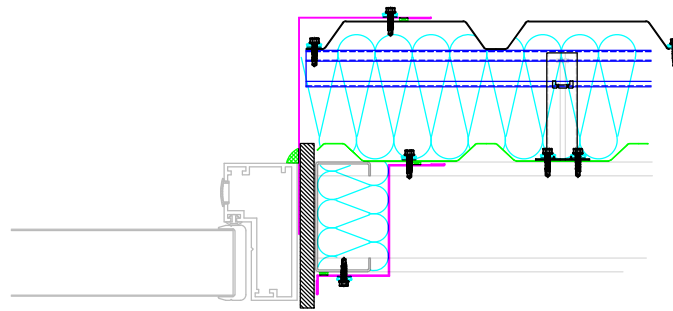
CHECK: PCL

DATE: Sep 2015

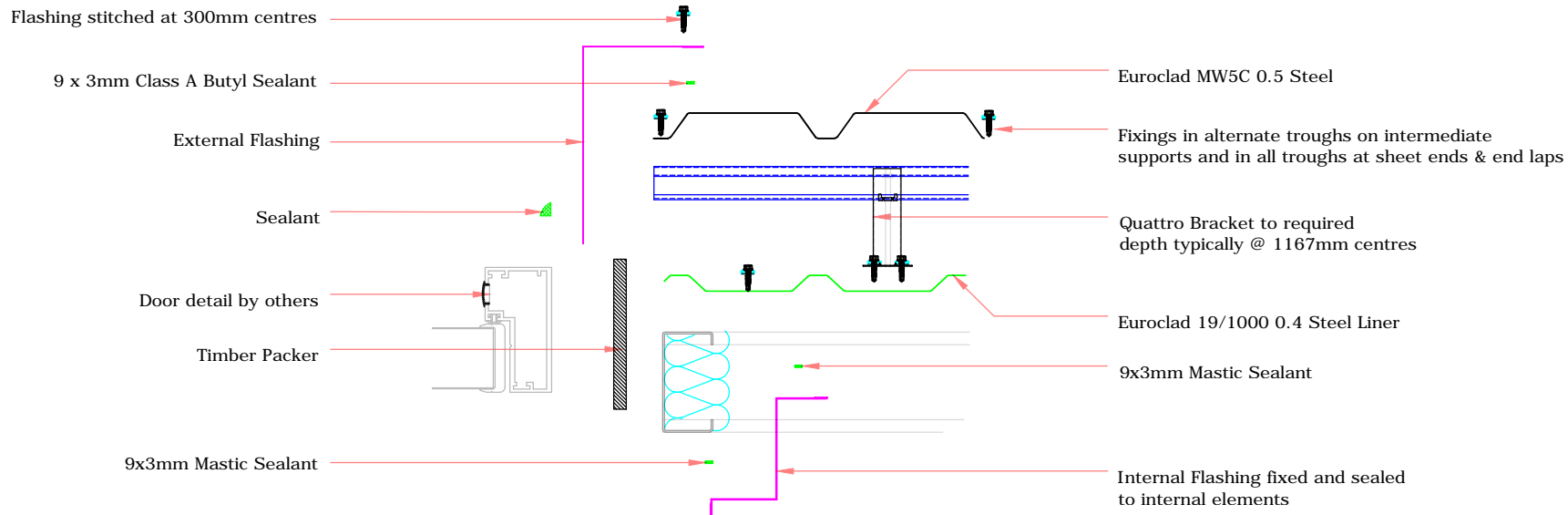
SCALE: NTS

This draft drawing has been supplied by Euro Clad Ltd for the purpose of guidance free of charge. It is a suggested typical detail and as such should not be assumed suitable for any specific project or application. No responsibility is assumed for errors or misinterpretations resulting from the information contained in the drawing. Details are for illustration only and no liability is accepted. We reserve the right to change the details without notice. The drawing is copyright, it remains our property.

To be read in conjunction with Elite System specification documents



EUROCLAD ELITE SYSTEM 52 WALL CONSTRUCTION



Insulation excluded for clarity

A range of mineral & glass wool insulations are available for different requirements

ELITE SYSTEMS

EUROCLAD

www.euroclad.com
 Tel: +44 (0)2922 010 101
 Fax: +44 (0)2922 010 122

TITLE: Elite System 52

DWG NO: E52

DRAWN: MP

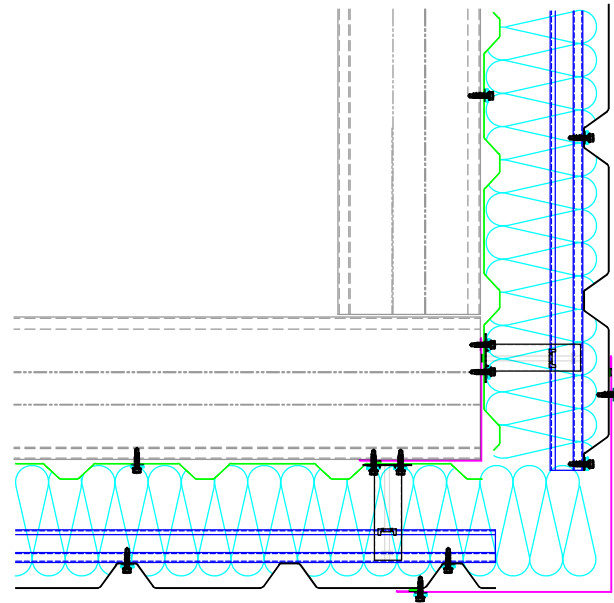
CHECK: PCL

DATE: Sep 2015

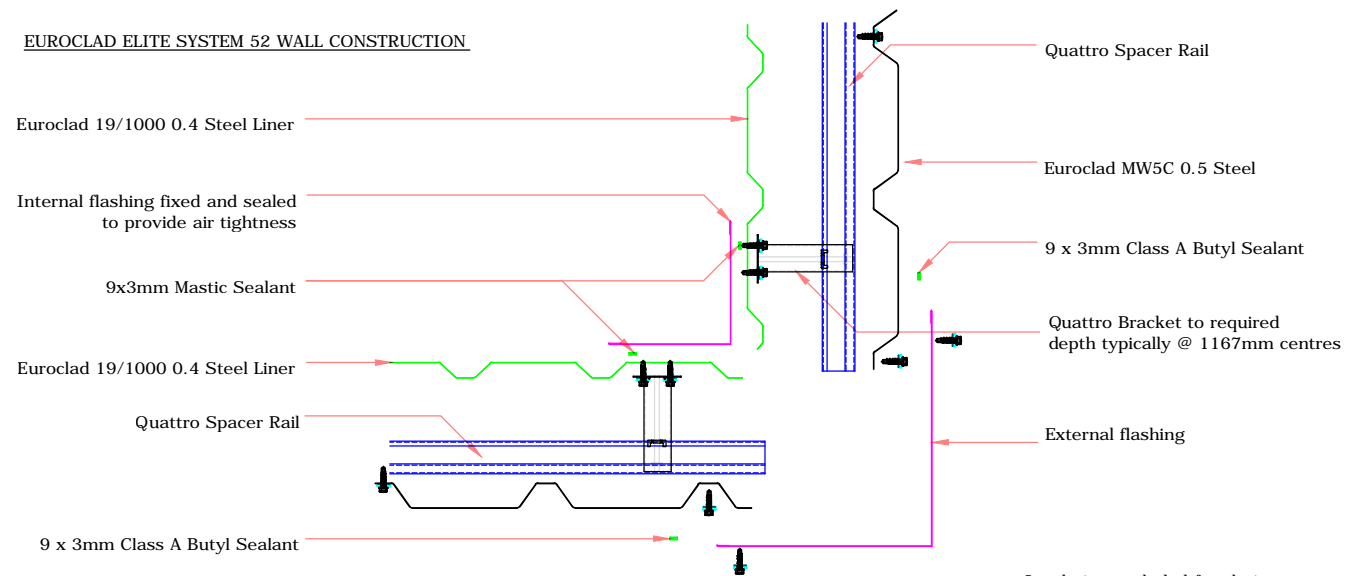
SCALE: NTS

This draft drawing has been supplied by Euro Clad Ltd for the purpose of guidance free of charge. It is a suggested typical detail and as such should not be assumed suitable for any specific project or application. No responsibility is assumed for errors or misinterpretations resulting from the information contained in the drawing. Details are for illustration only and no liability is accepted. We reserve the right to change the details without notice. The drawing is copyright, it remains our property.

To be read in conjunction with Elite System specification documents



EUROCLAD ELITE SYSTEM 52 WALL CONSTRUCTION



Euroclad 19/1000 0.4 Steel Liner

Internal flashing fixed and sealed to provide air tightness

9x3mm Mastic Sealant

Euroclad 19/1000 0.4 Steel Liner

Quattro Spacer Rail

9 x 3mm Class A Butyl Sealant

Quattro Spacer Rail

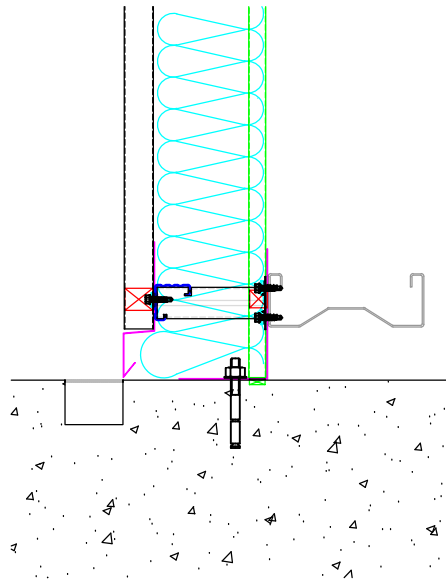
Euroclad MW5C 0.5 Steel

9 x 3mm Class A Butyl Sealant

Quattro Bracket to required depth typically @ 1167mm centres

External flashing

Insulation excluded for clarity
 A range of mineral & glass wool insulations are available for different requirements



ELITE SYSTEMS

EUROCLAD

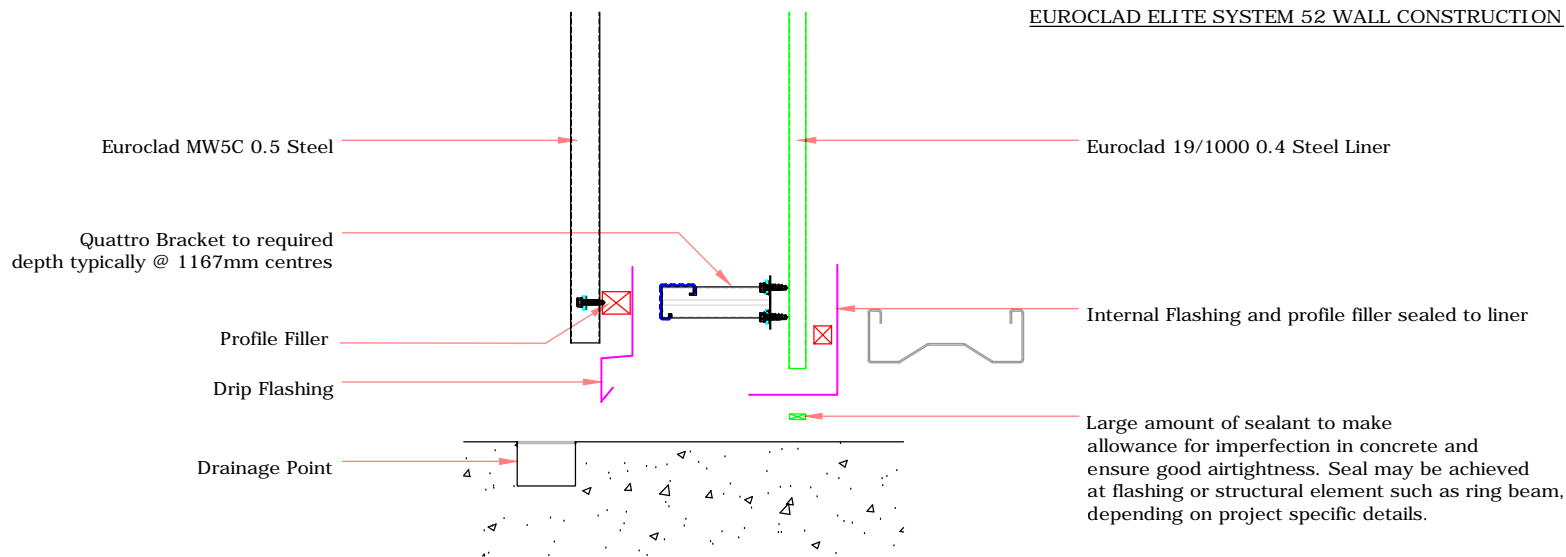
www.euroclad.com
 Tel: +44 (0)2922 010 101
 Fax: +44 (0)2922 010 122

TITLE: Elite System 52
 DWG NO: E52
 DRAWN: MP
 CHECK: PCL
 DATE: Sep 2015
 SCALE: NTS

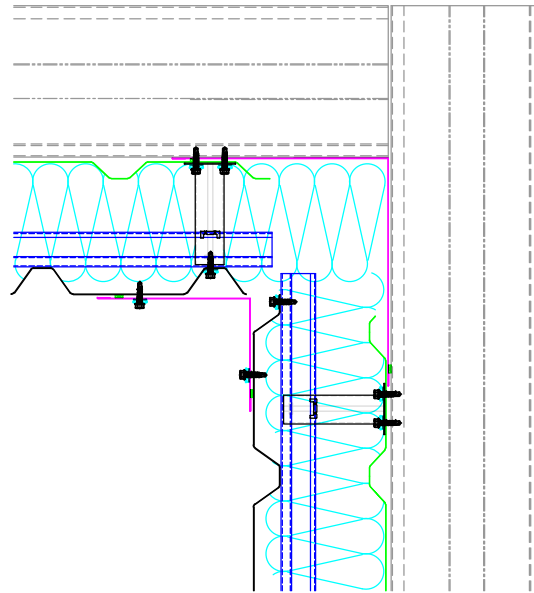
This draft drawing has been supplied by Euro Clad Ltd for the purpose of guidance free of charge. It is a suggested typical detail and as such should not be assumed suitable for any specific project or application. No responsibility is assumed for errors or misinterpretations resulting from the information contained in the drawing. Details are for illustration only and no liability is accepted. We reserve the right to change the details without notice. The drawing is copyright, it remains our property.

To be read in conjunction with Elite System specification documents

EUROCLAD ELITE SYSTEM 52 WALL CONSTRUCTION



Insulation excluded for clarity
 A range of mineral & glass wool insulations are available for different requirements



ELITE SYSTEMS

EUROCLAD

www.euroclad.com
 Tel: +44 (0)2922 010 101
 Fax: +44 (0)2922 010 122

TITLE: Elite System 52

DWG NO: E52

DRAWN: MP

CHECK: PCL

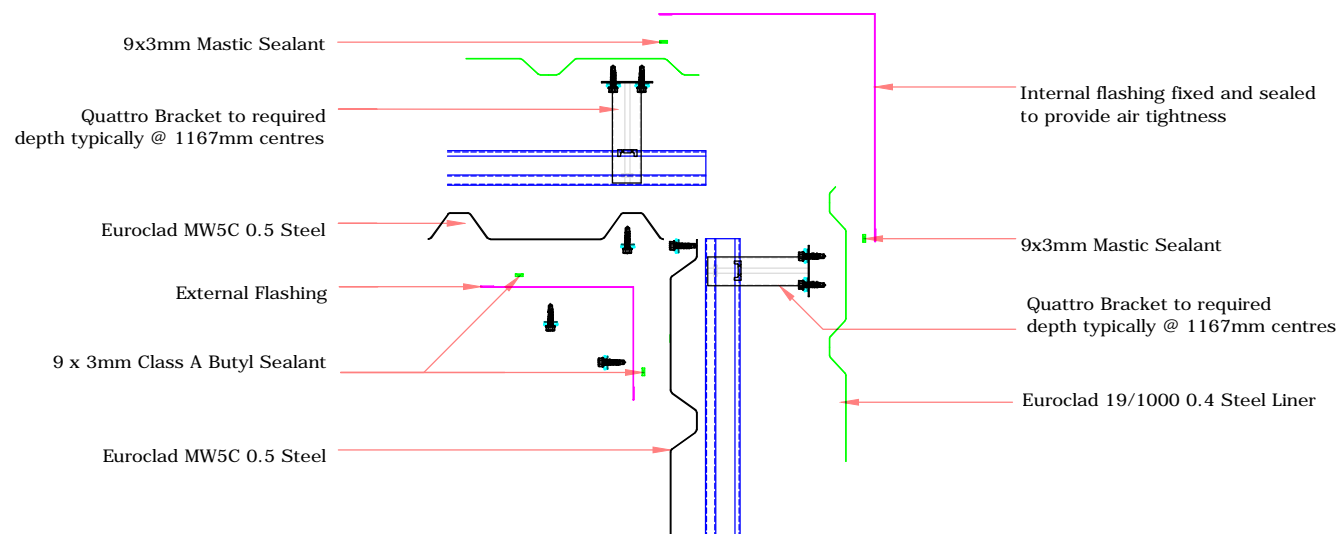
DATE: Sep 2015

SCALE: NTS

This draft drawing has been supplied by Euro Clad Ltd for the purpose of guidance free of charge. It is a suggested typical detail and as such should not be assumed suitable for any specific project or application. No responsibility is assumed for errors or misinterpretations resulting from the information contained in the drawing. Details are for illustration only and no liability is accepted. We reserve the right to change the details without notice. The drawing is copyright, it remains our property.

To be read in conjunction with Elite System specification documents

EUROCLAD ELITE SYSTEM 52 WALL CONSTRUCTION



Insulation excluded for clarity
 A range of mineral & glass wool insulations are available for different requirements

ELITE SYSTEMS

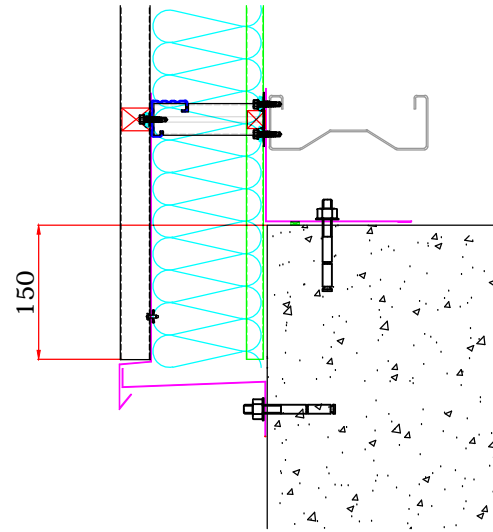
EUROCLAD

www.euroclad.com
Tel: +44 (0)2922 010 101
Fax: +44 (0)2922 010 122

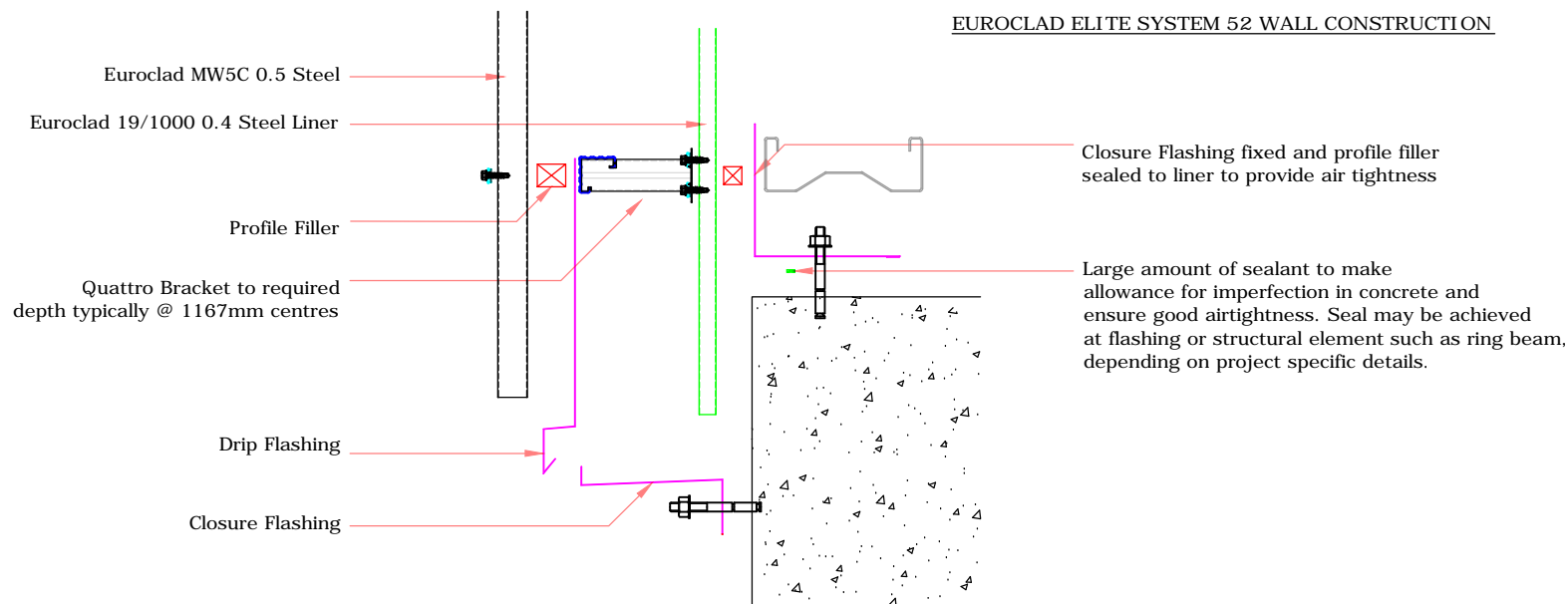
TITLE: Elite System 52
DWG NO: E52
DRAWN: MP
CHECK: PCL
DATE: Sep 2015
SCALE: NTS

This draft drawing has been supplied by Euro Clad Ltd for the purpose of guidance free of charge. It is a suggested typical detail and as such should not be assumed suitable for any specific project or application. No responsibility is assumed for errors or misinterpretations resulting from the information contained in the drawing. Details are for illustration only and no liability is accepted. We reserve the right to change the details without notice. The drawing is copyright, it remains our property.

To be read in conjunction with Elite System specification documents



EUROCLAD ELITE SYSTEM 52 WALL CONSTRUCTION



Insulation excluded for clarity
A range of mineral & glass wool insulations are available for different requirements

ELITE SYSTEMS

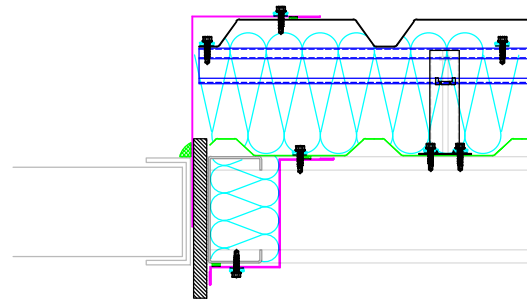


www.euroclad.com
Tel: +44 (0)2922 010 101
Fax: +44 (0)2922 010 122

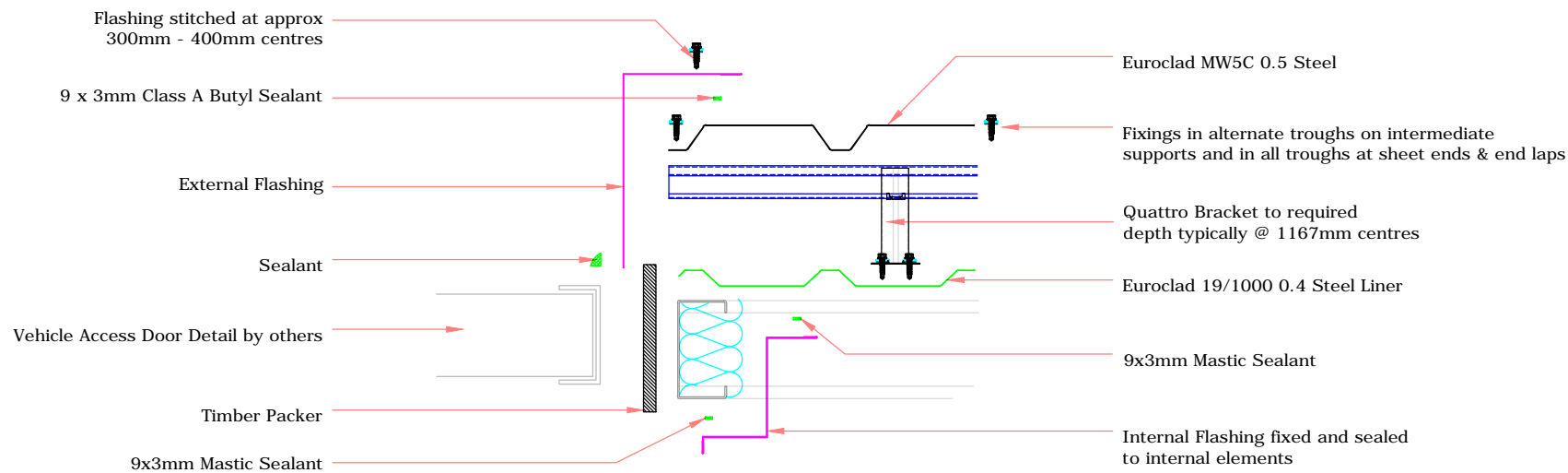
TITLE: Elite System 52
DWG NO: E52
DRAWN: MP
CHECK: PCL
DATE: Sep 2015
SCALE: NTS

This draft drawing has been supplied by Euro Clad Ltd for the purpose of guidance free of charge. It is a suggested typical detail and as such should not be assumed suitable for any specific project or application. No responsibility is assumed for errors or misinterpretations resulting from the information contained in the drawing. Details are for illustration only and no liability is accepted. We reserve the right to change the details without notice. The drawing is copyright, it remains our property.

To be read in conjunction with Elite System specification documents



EUROCLAD ELITE SYSTEM 52 WALL CONSTRUCTION



ELITE SYSTEMS



www.euroclad.com
Tel: +44 (0)2922 010 101
Fax: +44 (0)2922 010 122

TITLE: Elite System 52

DWG NO: E52

DRAWN: MP

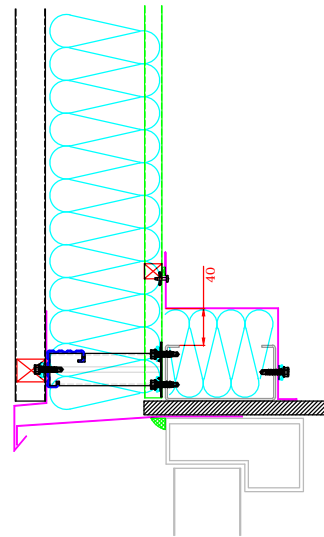
CHECK: PCL

DATE: Sep 2015

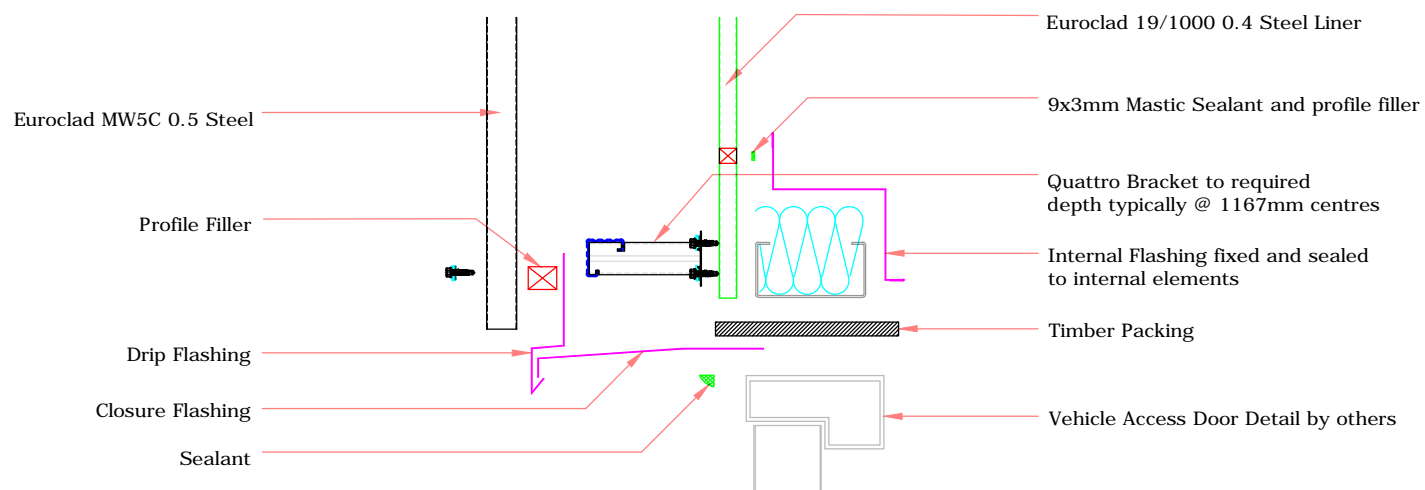
SCALE: NTS

This draft drawing has been supplied by Euro Clad Ltd for the purpose of guidance free of charge. It is a suggested typical detail and as such should not be assumed suitable for any specific project or application. No responsibility is assumed for errors or misinterpretations resulting from the information contained in the drawing. Details are for illustration only and no liability is accepted. We reserve the right to change the details without notice. The drawing is copyright, it remains our property.

To be read in conjunction with Elite System specification documents

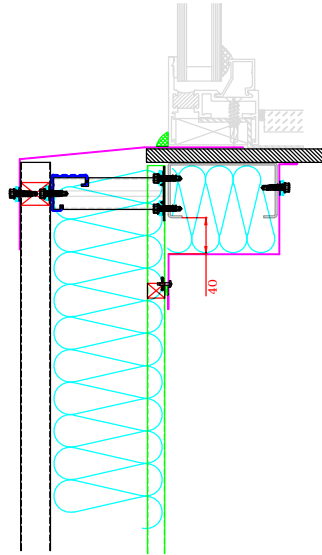


EUROCLAD ELITE SYSTEM 52 WALL CONSTRUCTION



Insulation excluded for clarity

A range of mineral & glass wool insulations are available for different requirements



ELITE SYSTEMS



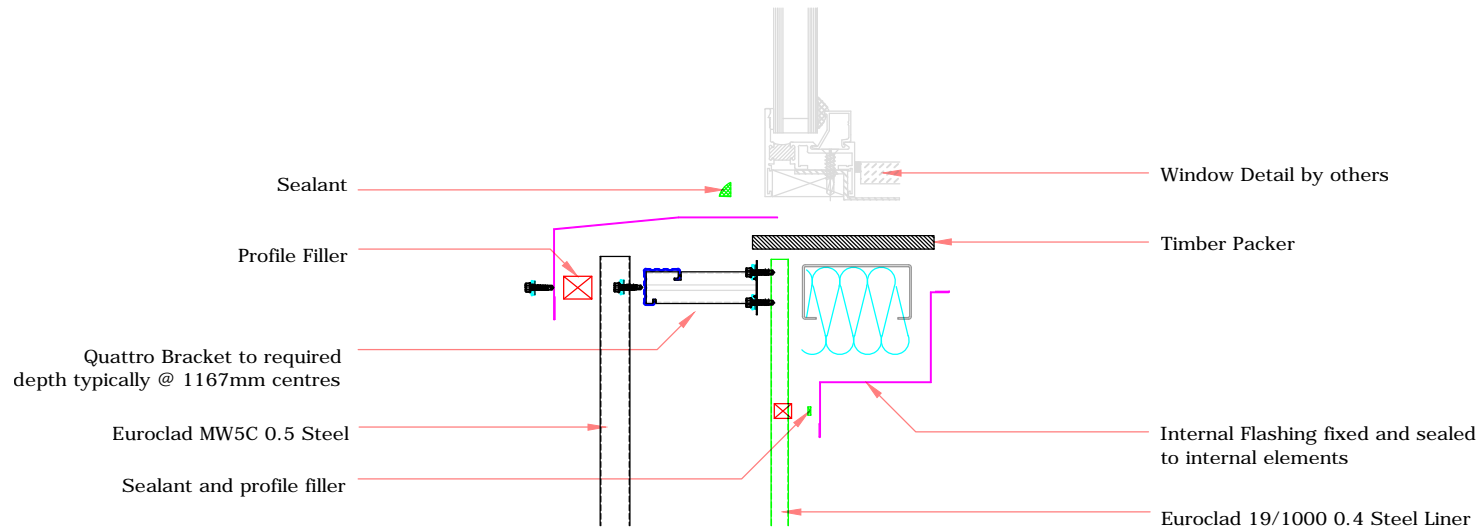
www.euroclad.com
 Tel: +44 (0)2922 010 101
 Fax: +44 (0)2922 010 122

TITLE: Elite System 52
 DWG NO: E52
 DRAWN: MP
 CHECK: PCL
 DATE: Sep 2015
 SCALE: NTS

This draft drawing has been supplied by Euro Clad Ltd for the purpose of guidance free of charge. It is a suggested typical detail and as such should not be assumed suitable for any specific project or application. No responsibility is assumed for errors or misinterpretations resulting from the information contained in the drawing. Details are for illustration only and no liability is accepted. We reserve the right to change the details without notice. The drawing is copyright, it remains our property.

To be read in conjunction with Elite System specification documents

EUROCLAD ELITE SYSTEM 52 WALL CONSTRUCTION



Insulation excluded for clarity
 A range of mineral & glass wool insulations are available for different requirements

ELITE SYSTEMS

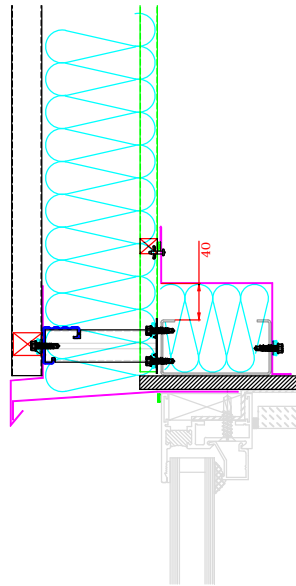


www.euroclad.com
 Tel: +44 (0)2922 010 101
 Fax: +44 (0)2922 010 122

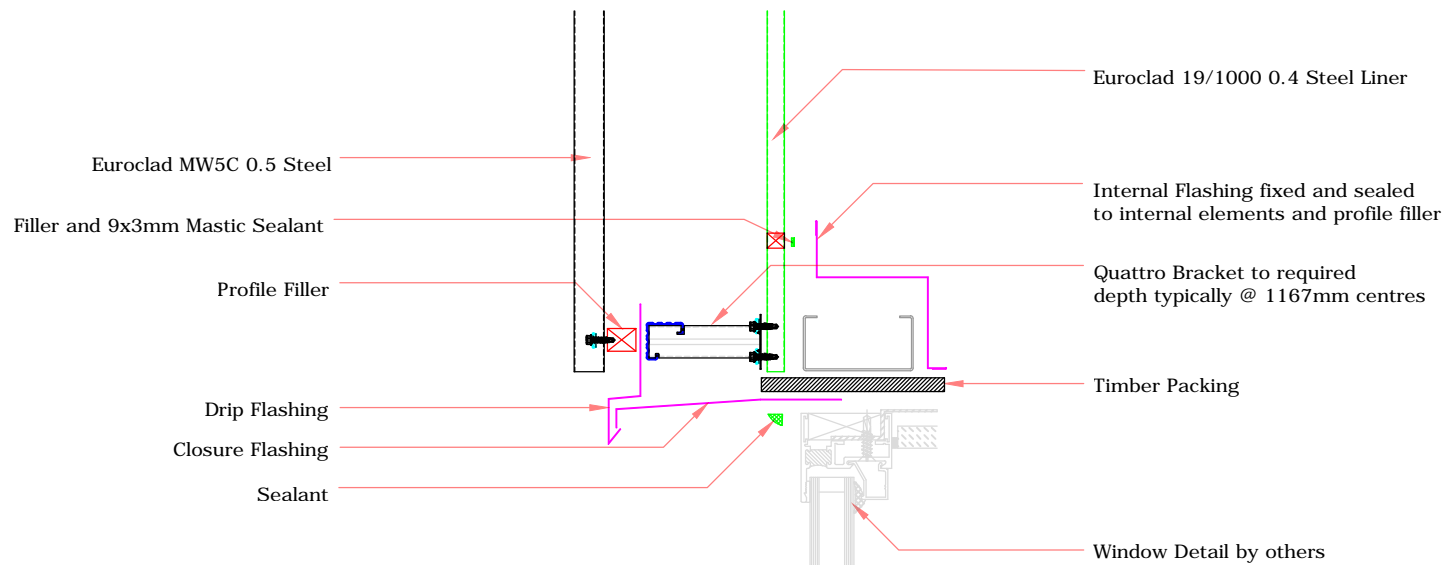
TITLE: Elite System 52
 DWG NO: E52
 DRAWN: MP
 CHECK: PCL
 DATE: Sep 2015
 SCALE: NTS

This draft drawing has been supplied by Euro Clad Ltd for the purpose of guidance free of charge. It is a suggested typical detail and as such should not be assumed suitable for any specific project or application. No responsibility is assumed for errors or misinterpretations resulting from the information contained in the drawing. Details are for illustration only and no liability is accepted. We reserve the right to change the details without notice. The drawing is copyright, it remains our property.

To be read in conjunction with Elite System specification documents



EUROCLAD ELITE SYSTEM 52 WALL CONSTRUCTION



Insulation excluded for clarity
 A range of mineral & glass wool insulations are available for different requirements

ELITE SYSTEMS

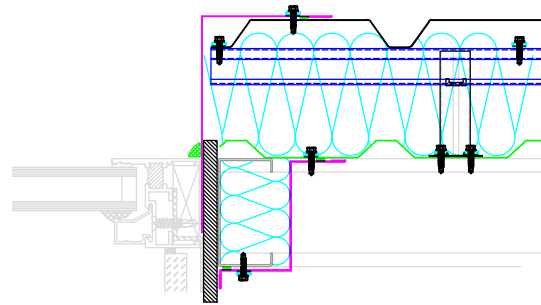


www.euroclad.com
 Tel: +44 (0)2922 010 101
 Fax: +44 (0)2922 010 122

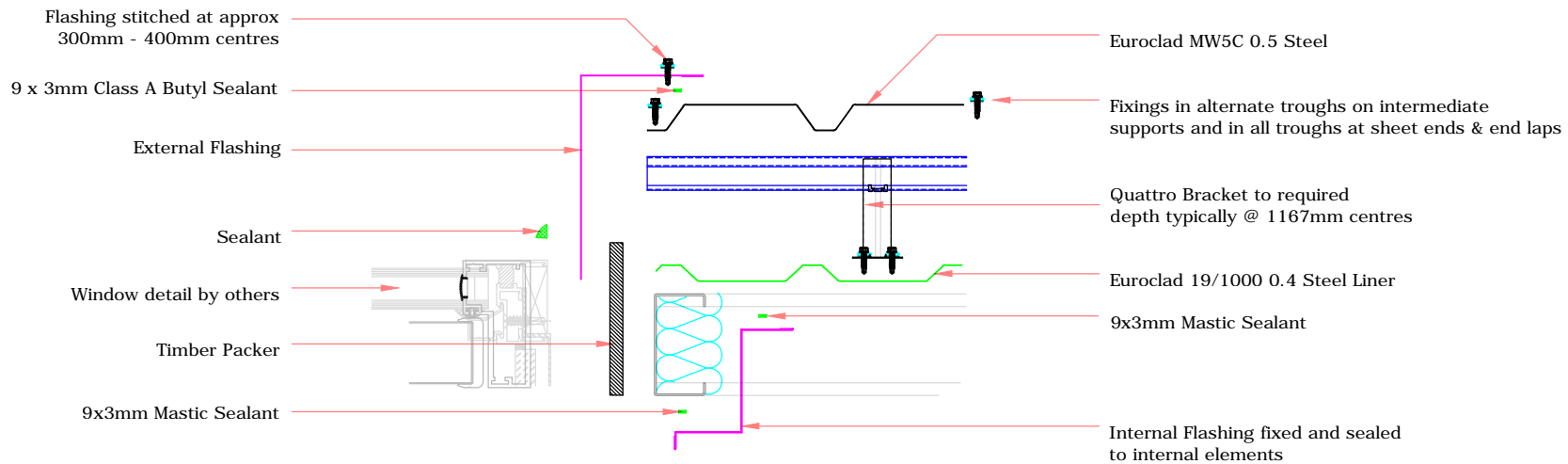
TITLE: Elite System 52
 DWG NO: E52
 DRAWN: MP
 CHECK: PCL
 DATE: Sep 2015
 SCALE: NTS

This draft drawing has been supplied by Euro Clad Ltd for the purpose of guidance free of charge. It is a suggested typical detail and as such should not be assumed suitable for any specific project or application. No responsibility is assumed for errors or misinterpretations resulting from the information contained in the drawing. Details are for illustration only and no liability is accepted. We reserve the right to change the details without notice. The drawing is copyright, it remains our property.

To be read in conjunction with Elite System specification documents



EUROCLAD ELITE SYSTEM 52 WALL CONSTRUCTION



Insulation excluded for clarity
 A range of mineral & glass wool insulations are available for different requirements