

ELITE SYSTEMS

EUROCLAD

www.euroclad.com
Tel: +44 (0)2922 010 101
Fax: +44 (0)2922 010 122

TITLE: Elite System 50

DWG NO: E50

DRAWN: MP

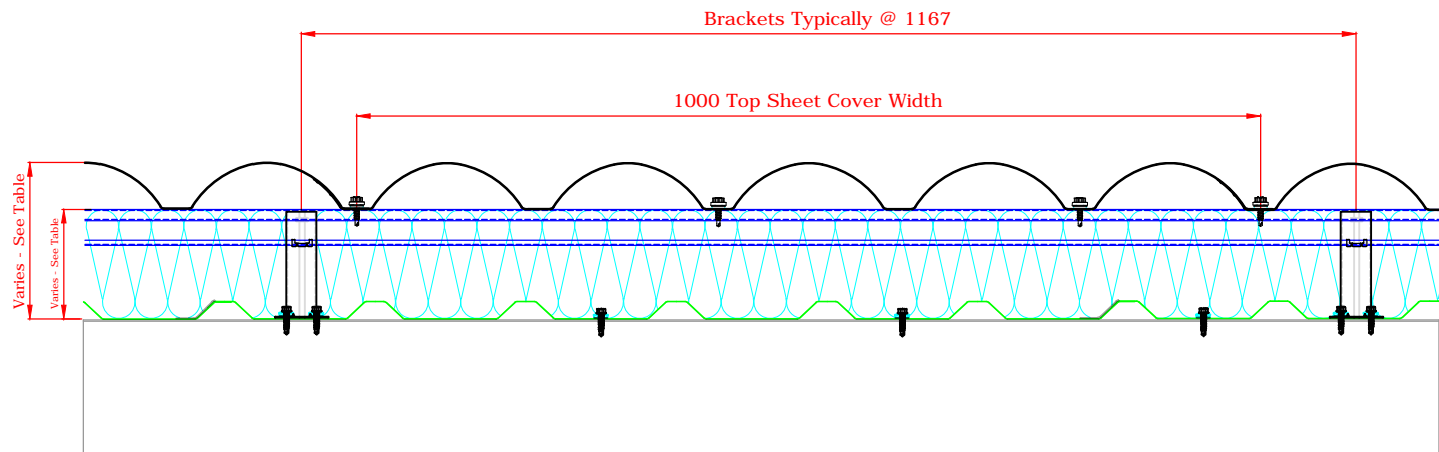
CHECK: PCL

DATE: Sep 2015

SCALE: NTS

This draft drawing has been supplied by Euro Clad Ltd for the purpose of guidance free of charge. It is a suggested typical detail and as such should not be assumed suitable for any specific project or application. No responsibility is assumed for errors or misinterpretations resulting from the information contained in the drawing. Details are for illustration only and no liability is accepted. We reserve the right to change the details without notice. The drawing is copyright, it remains our property.

To be read in conjunction with Elite System specification documents



Elite System 50

Bracket Height	Insulation Thickness	Insulation Value	Overall System Depth	U Value at 1.8M Centres
120mm	120mm	0.040	153mm	0.35
140mm	140mm	0.040	173mm	0.30
150mm	150mm*/160mm	0.040	183mm	0.28
160mm	160mm	0.040	193mm	0.27
170mm	180mm	0.040	203mm	0.25
180mm	180mm	0.040	213mm	0.24
200mm	200mm	0.040	233mm	0.21
220mm	220mm	0.040	253mm	0.20
240mm	240mm	0.040	273mm	0.18
260mm	260mm	0.040	293mm	0.17
280mm	280mm	0.040	313mm	0.15
300mm	300mm	0.040	333mm	0.14

* Only available in Rockwool Cladding Roll

Please Note:

System is Fire rated using Knauf Factoryclad 40 ECOSE insulation of minimum thickness 120mm with steel outer sheet only.

Ensure roll edges are lapped/butted to ensure no gaps.

Fire Resistance performance 120 minutes Integrity, 15 minutes (min) Insulation.

Meets the requirements of Building Regulations Part B for external walls where fire attack is from inside the building and the wall is 1M or more from the boundary.

Please Note:

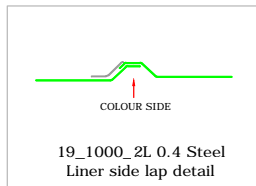
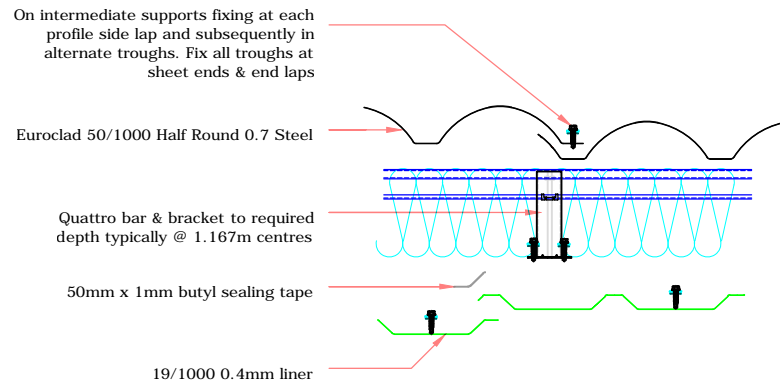
System is Fire rated using Knauf Factoryclad 40 ECOSE insulation of minimum thickness 120mm with steel outer sheet only.

Ensure roll edges are lapped/butted to ensure no gaps.

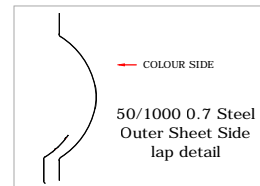
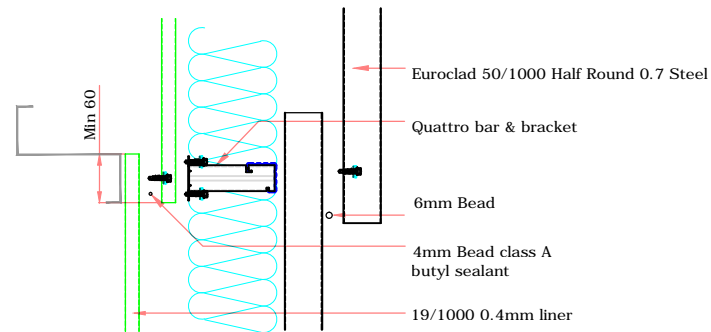
Fire Resistance performance 120 minutes Integrity, 15 minutes (min) Insulation.

Meets the requirements of Building Regulations Part B for external walls where fire attack is from inside the building and the wall is 1M or more from the boundary.

ELITE SYSTEM 50 SIDE LAP DETAIL



ELITE SYSTEM 50 END LAP DETAIL



ELITE SYSTEMS

EUROCLAD

www.euroclad.com
Tel: +44 (0)2922 010 101
Fax: +44 (0)2922 010 122

TITLE: Elite System 50

DWG NO: E50

DRAWN: MP

CHECK: PCL

DATE: Sep 2015

SCALE: NTS

This draft drawing has been supplied by Euro Clad Ltd for the purpose of guidance free of charge. It is a suggested typical detail and as such should not be assumed suitable for any specific project or application. No responsibility is assumed for errors or misinterpretations resulting from the information contained in the drawing. Details are for illustration only and no liability is accepted. We reserve the right to change the details without notice. The drawing is copyright, it remains our property.

To be read in conjunction with Elite System specification documents

ELITE SYSTEMS

EUROCLAD

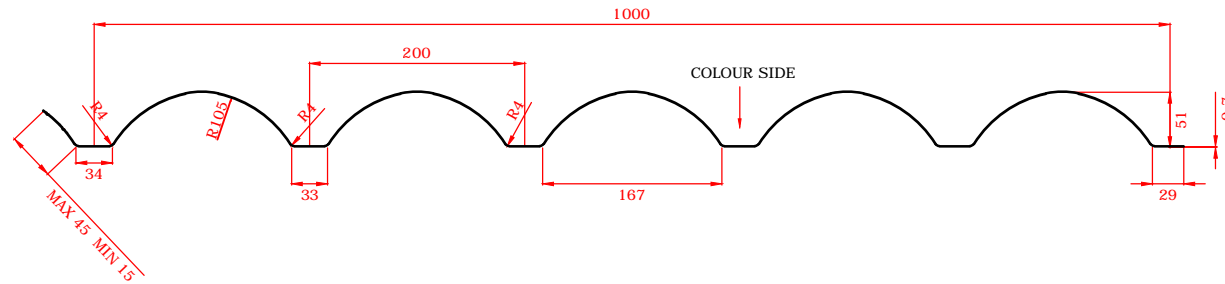
www.euroclad.com
Tel: +44 (0)2922 010 101
Fax: +44 (0)2922 010 122

TITLE: Elite System 50
DWG NO: E50
DRAWN: MP
CHECK: PCL
DATE: Sep 2015
SCALE: NTS

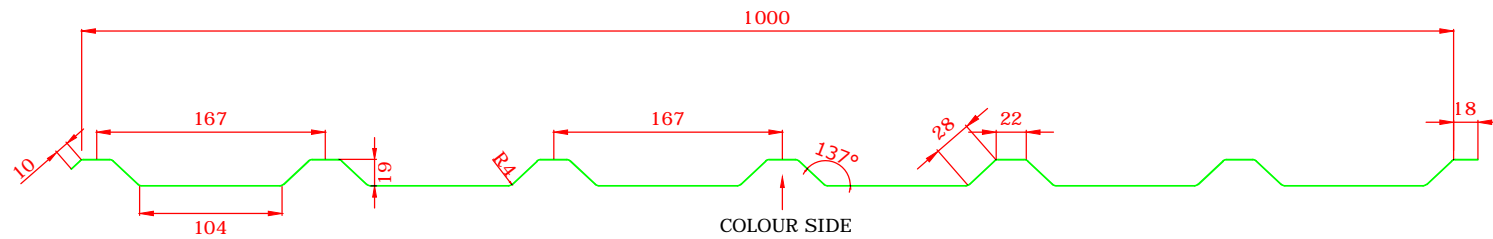
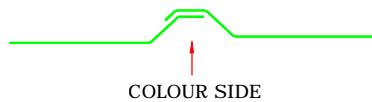
This draft drawing has been supplied by Euro Clad Ltd for the purpose of guidance free of charge. It is a suggested typical detail and as such should not be assumed suitable for any specific project or application. No responsibility is assumed for errors or misinterpretations resulting from the information contained in the drawing. Details are for illustration only and no liability is accepted. We reserve the right to change the details without notice. The drawing is copyright, it remains our property.

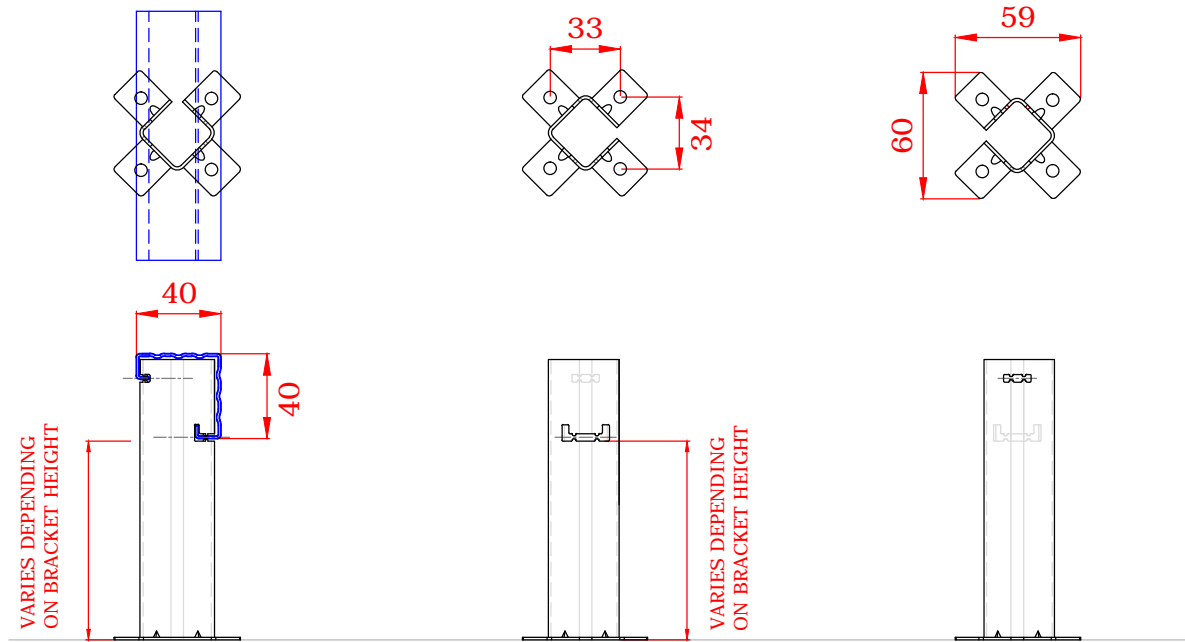
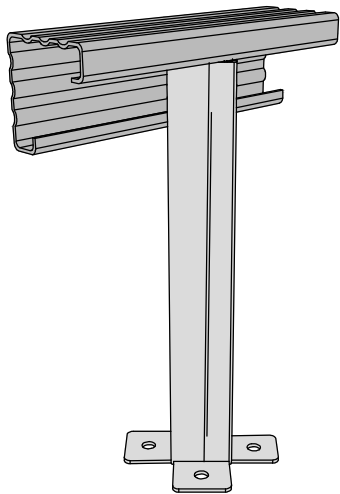
To be read in conjunction with Elite System specification documents

EUROCLAD 50/1000 HALF ROUND 0.7mm
EXTERNAL SHEET



EUROCLAD 19/1000 0.4mm LINER





ELITE SYSTEMS

EUROCLAD

www.euroclad.com
Tel: +44 (0)2922 010 101
Fax: +44 (0)2922 010 122

TITLE: Elite System 50
DWG NO: E50
DRAWN: MP
CHECK: PCL
DATE: Sep 2015
SCALE: NTS

This draft drawing has been supplied by Euro Clad Ltd for the purpose of guidance free of charge. It is a suggested typical detail and as such should not be assumed suitable for any specific project or application. No responsibility is assumed for errors or misinterpretations resulting from the information contained in the drawing. Details are for illustration only and no liability is accepted. We reserve the right to change the details without notice. The drawing is copyright, it remains our property.

To be read in conjunction with Elite System specification documents

Brackets less than 260mm require 2 fixings diagonally opposite.
Brackets 260mm or more require 4 fixings.

