

ELITE SYSTEMS

EUROCLAD

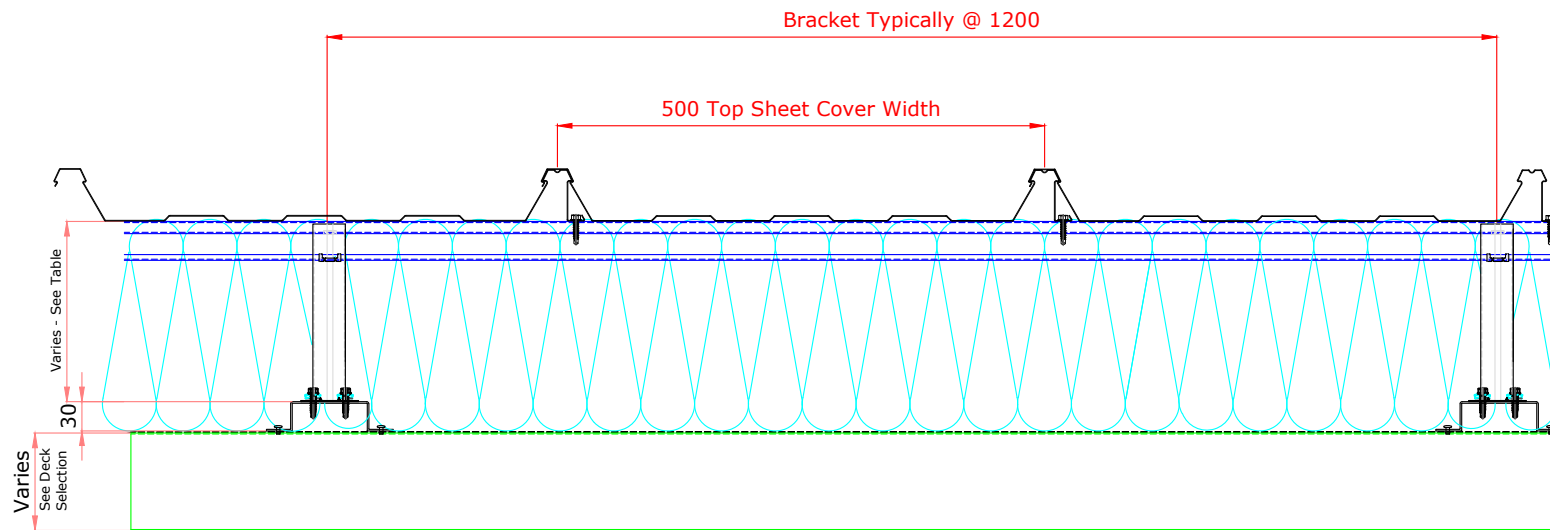
www.euroclad.com
Tel: +44 (0)2922 010 101
Fax: +44 (0)2922 010 122

TITLE: Elite System 6
DWG NO: E6
DRAWN: MP
CHECK: PCL
DATE: Nov 17
SCALE: NTS

This draft drawing has been supplied by Euro Clad Ltd for the purpose of guidance free of charge. It is a suggested typical detail and as such should not be assumed suitable for any specific project or application. No responsibility is assumed for errors or misinterpretations resulting from the information contained in the drawing. Details are for illustration only and no liability is accepted. We reserve the right to change the details without notice. The drawing is copyright, it remains our property.

See drawing number FR17 for non-fragile fixing requirements

To be read in conjunction with Elite System specification documents



Elite System 6

Bracket Height	Tophat Size	Cavity Depth	Insulation Thickness	Insulation Value	System Depth Excluding deck	U Value at 1.5M Centres	Nominal Weight/M ² #	
							Kn 40	RW
140mm	30mm	170mm	170*/180mm	0.040 λ	202mm	0.25	11.60 kg/m ²	14.30 kg/m ²
220mm	30mm	250mm	250mm*/260mm	0.040 λ	282mm	0.17	12.53 kg/m ²	16.28 kg/m ²
240mm	30mm	270mm	270mm*/280mm	0.040 λ	302mm	0.16	12.91 kg/m ²	16.84 kg/m ²
260mm	30mm	290mm	300mm	0.040 λ	322mm	0.15	13.17 kg/m ²	17.67 kg/m ²

Based on 0.7mm SF500, does not include deck

* Rockwool not available in standard thickness, weights calculated to next available thickness

Other U Values available please consult Euroclad

ELITE SYSTEMS



www.euroclad.com
Tel: +44 (0)2922 010 101
Fax: +44 (0)2922 010 122

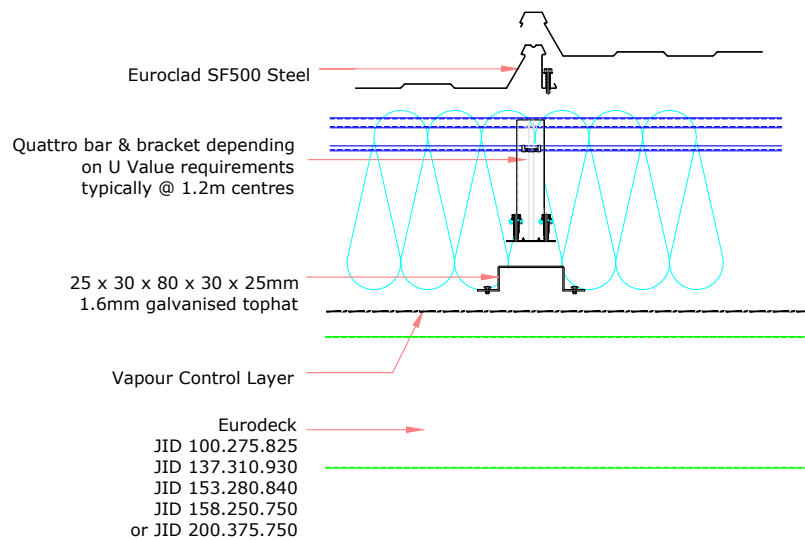
TITLE: Elite System 6
DWG NO: E6
DRAWN: MP
CHECK: PCL
DATE: Nov 17
SCALE: NTS

This draft drawing has been supplied by Euro Clad Ltd for the purpose of guidance free of charge. It is a suggested typical detail and as such should not be assumed suitable for any specific project or application. No responsibility is assumed for errors or misinterpretations resulting from the information contained in the drawing. Details are for illustration only and no liability is accepted. We reserve the right to change the details without notice. The drawing is copyright, it remains our property.

See drawing number FR17 for non-fragile fixing requirements

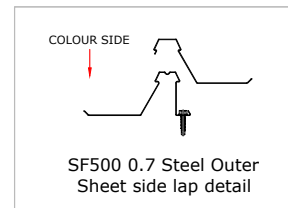
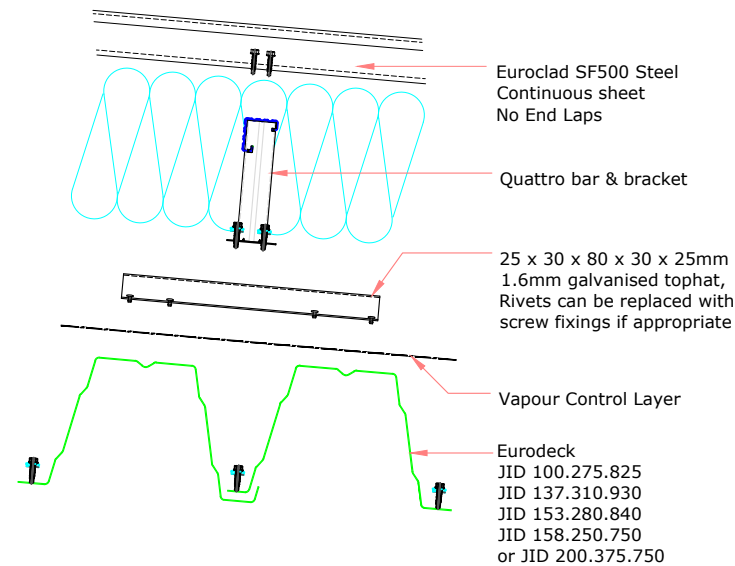
To be read in conjunction with Elite System specification documents

ELITE SYSTEM 6 SIDE LAP DETAIL



Tophat fixings
Rivets are recommended for gauges $\geq 0.7\text{mm} - 1.25\text{mm}$
Self drilling screws recommended for gauges $\geq 1.25\text{mm}$
Screw fixings specified for tophats can be replaced with rivets if required for aesthetics.
Rivets for illustration only.

ELITE SYSTEM 6 END DETAIL



ELITE SYSTEMS



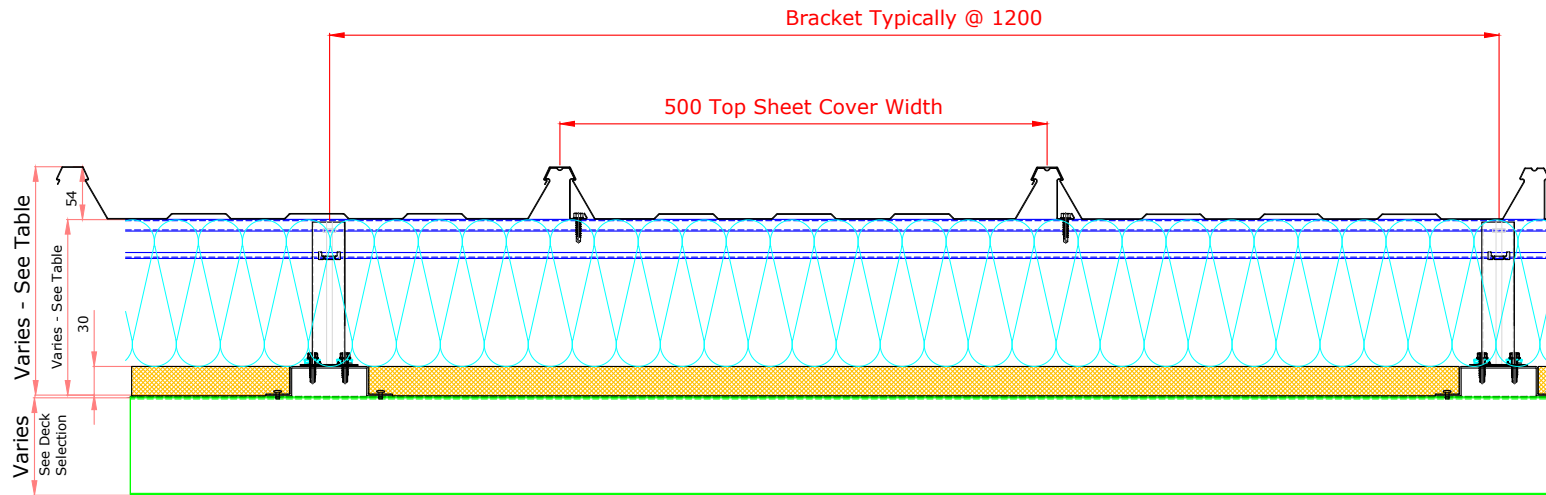
www.euroclad.com
 Tel: +44 (0)2922 010 101
 Fax: +44 (0)2922 010 122

TITLE: Elite System 6
 DWG NO: E6
 DRAWN: MP
 CHECK: PCL
 DATE: Nov 17
 SCALE: NTS

This draft drawing has been supplied by Euro Clad Ltd for the purpose of guidance free of charge. It is a suggested typical detail and as such should not be assumed suitable for any specific project or application. No responsibility is assumed for errors or misinterpretations resulting from the information contained in the drawing. Details are for illustration only and no liability is accepted. We reserve the right to change the details without notice. The drawing is copyright, it remains our property.

See drawing number FR17 for non-fragile fixing requirements

To be read in conjunction with Elite System specification documents



Elite System 6 A1

Bracket Height	Cavity Depth	Insulation Thickness	Insulation Value	System Depth Excluding deck	U Value at 1.5M Centres	Nominal Weight/M ² #	
						Kn 40	RW
140mm	170mm	170mm*/180mm	0.040 λ	224mm	0.25	12.54Kg/m ²	15.24Kg/m ²
220mm	250mm	250mm*/260mm	0.040 λ	304mm	0.17	13.58Kg/m ²	17.48Kg/m ²
240mm	270mm	270mm*/280mm	0.040 λ	324mm	0.16	13.84Kg/m ²	18.04Kg/m ²
260mm	290mm	290mm*/300mm	0.040 λ	344mm	0.15	14.10Kg/m ²	18.60Kg/m ²

Based on 0.7mm SF500, does not include deck

* Rockwool not available in standard thickness, weights calculated to next available thickness

Other U Values available please consult Euroclad

ELITE SYSTEMS



www.euroclad.com
Tel: +44 (0)2922 010 101
Fax: +44 (0)2922 010 122

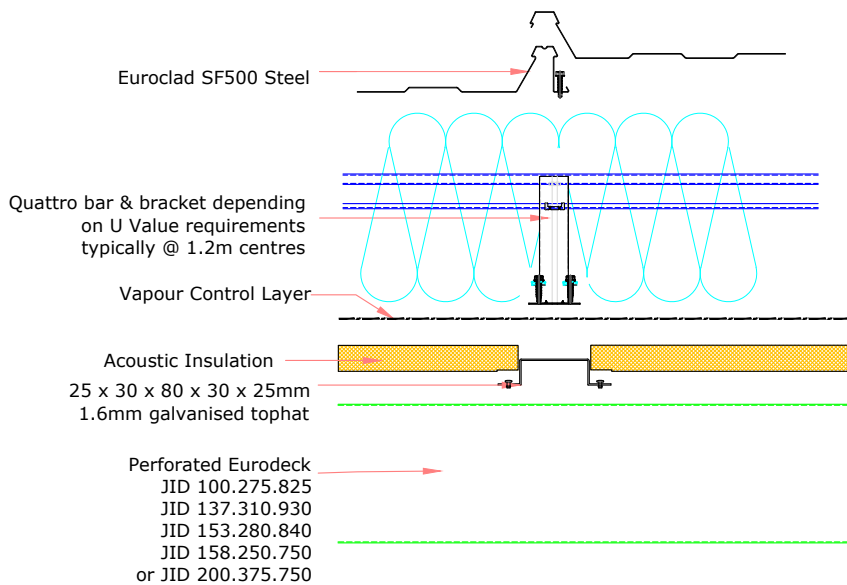
TITLE: Elite System 6
DWG NO: E6
DRAWN: MP
CHECK: PCL
DATE: Nov 17
SCALE: NTS

This draft drawing has been supplied by Euro Clad Ltd for the purpose of guidance free of charge. It is a suggested typical detail and as such should not be assumed suitable for any specific project or application. No responsibility is assumed for errors or misinterpretations resulting from the information contained in the drawing. Details are for illustration only and no liability is accepted. We reserve the right to change the details without notice. The drawing is copyright, it remains our property.

See drawing number FR17 for non-fragile fixing requirements

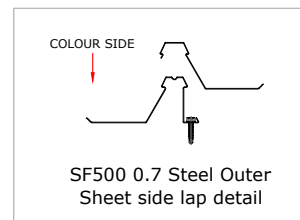
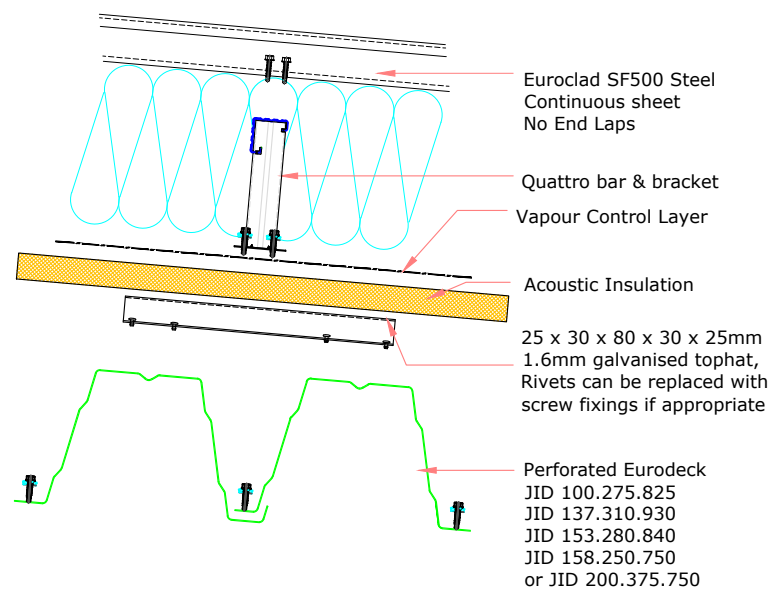
To be read in conjunction with Elite System specification documents

ELITE SYSTEM 6 SIDE LAP DETAIL

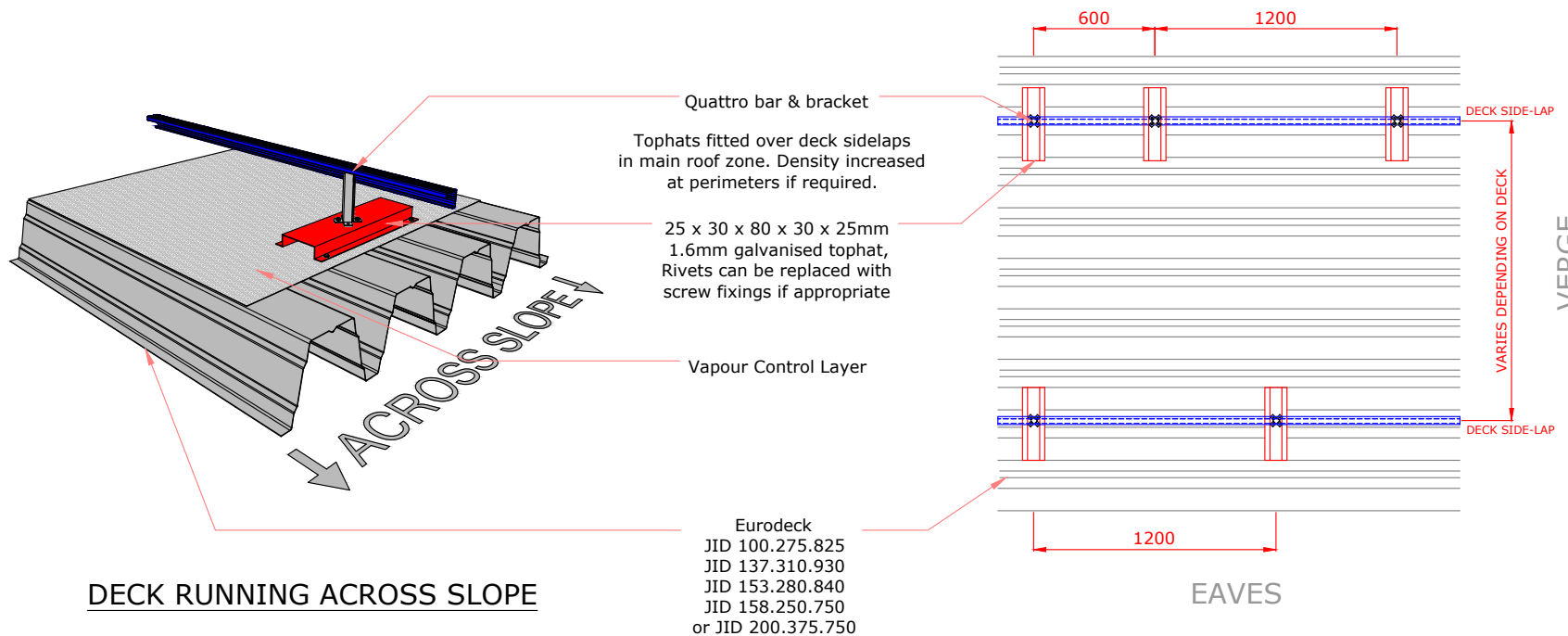


Tophat fixings
Rivets are recommended for gauges \leq 0.7mm - 1.25mm
Self drilling screws recommended for gauges \geq 1.25mm
Screw fixings specified for tophats can be replaced with rivets if required for aesthetics.
Rivets for illustration only.

**ELITE SYSTEM 6 END LAP DETAIL
TOPSHEET DOES NOT END LAP**



The distributed load from the external sheet is transferred through the spacer system and tophats to the deck. The tophats as illustrated allow the load to be distributed to each and every deck sheet, avoiding any 1 sheet taking all of the load. It also allows spacer rails to be fitted to the deck in straight rows (rather than diagonal). The use of tophats c400mm long allows for ease of installation on curved roofs. In most cases the maximum spacing achieved will not cause any issues for the external sheet load/span capacity. However, some deck sheets with larger widths will result in centres which may become problematic for the external sheet span ie 1120 wide deck giving centres of 2.240M. In such cases other deck profiles should be considered or the use of longer tophats to allow closer centres for the spacer rails to be achieved. In all cases the external sheet load should be distributed to all deck sheets.



Tophat and Rail centres Upslope determined by loadings and deck cover-width. Typically fixed on each deck sheet for approx 2M from eaves & ridge line and then straddling the deck sidelap in main roof zones at 2 x deck coverwidth. Tophat/Bracket centres along rail determined by loading but typically at 1.2M

ELITE SYSTEMS



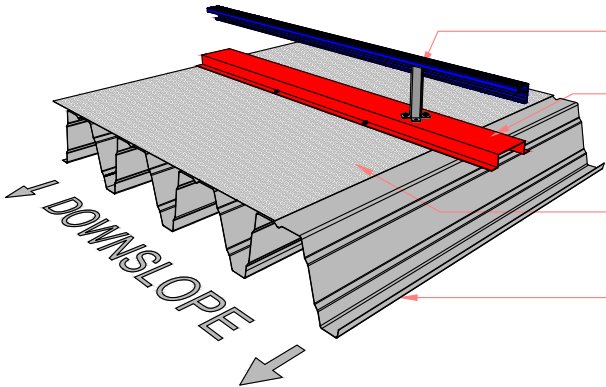
www.euroclad.com
 Tel: +44 (0)2922 010 101
 Fax: +44 (0)2922 010 122

TITLE: Elite System 6
 DWG NO: E6
 DRAWN: MP
 CHECK: PCL
 DATE: Nov 17
 SCALE: NTS

This draft drawing has been supplied by Euro Clad Ltd for the purpose of guidance free of charge. It is a suggested typical detail and as such should not be assumed suitable for any specific project or application. No responsibility is assumed for errors or misinterpretations resulting from the information contained in the drawing. Details are for illustration only and no liability is accepted. We reserve the right to change the details without notice. The drawing is copyright, it remains our property.

See drawing number FR17 for non-fragile fixing requirements

To be read in conjunction with Elite System specification documents

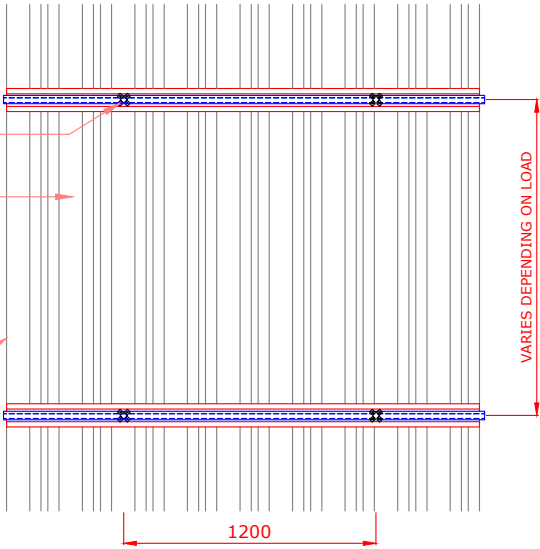


Quattro bar & bracket

25 x 30 x 80 x 30 x 25mm
 1.6mm galvanised tophat,
 Rivets can be replaced with
 screw fixings if appropriate

Vapour Control Layer

Eurodeck
 JID 100.275.825
 JID 137.310.930
 JID 153.280.840
 JID 158.250.750
 or JID 200.375.750



VARIES DEPENDING ON LOAD

1200

EAVES

ELITE SYSTEMS

EUROCLAD

www.euroclad.com
Tel: +44 (0)2922 010 101
Fax: +44 (0)2922 010 122

EUROCLAD SF500 EXTERNAL SHEET

TITLE: Elite System 6

DWG NO: E6

DRAWN: MP

CHECK: PCL

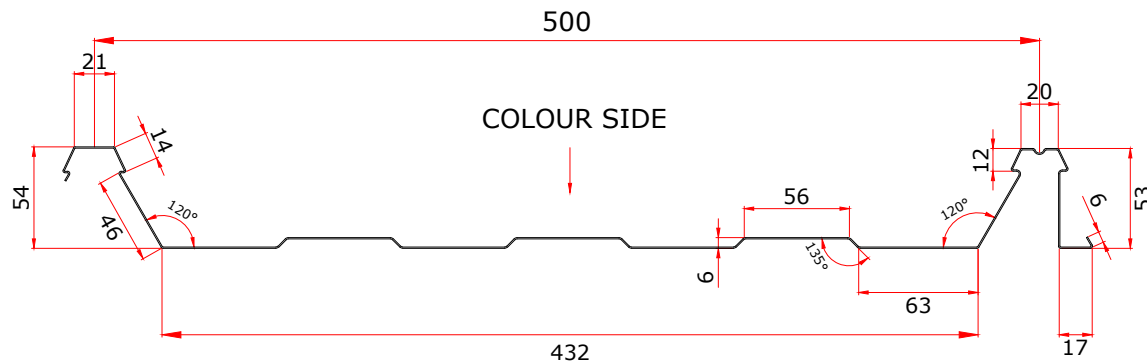
DATE: Nov 17

SCALE: NTS

This draft drawing has been supplied by Euro Clad Ltd for the purpose of guidance free of charge. It is a suggested typical detail and as such should not be assumed suitable for any specific project or application. No responsibility is assumed for errors or misinterpretations resulting from the information contained in the drawing. Details are for illustration only and no liability is accepted. We reserve the right to change the details without notice. The drawing is copyright, it remains our property.

See drawing number FR17 for non-fragile fixing requirements

To be read in conjunction with Elite System specification documents



ELITE SYSTEMS

EUROCLAD

www.euroclad.com
Tel: +44 (0)2922 010 101
Fax: +44 (0)2922 010 122

TITLE: Elite System 6

DWG NO: E6

DRAWN: MP

CHECK: PCL

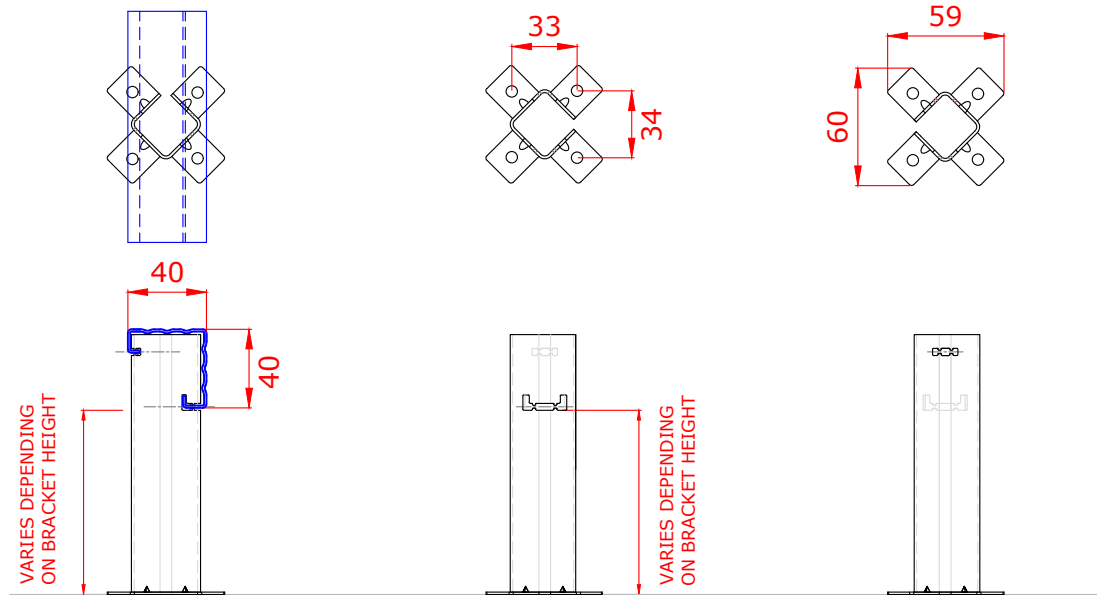
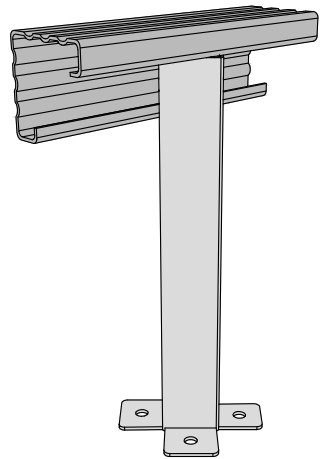
DATE: Nov 17

SCALE: NTS

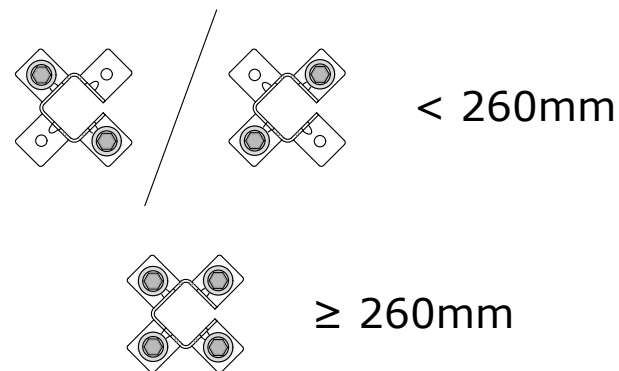
This draft drawing has been supplied by Euro Clad Ltd for the purpose of guidance free of charge. It is a suggested typical detail and as such should not be assumed suitable for any specific project or application. No responsibility is assumed for errors or misinterpretations resulting from the information contained in the drawing. Details are for illustration only and no liability is accepted. We reserve the right to change the details without notice. The drawing is copyright, it remains our property.

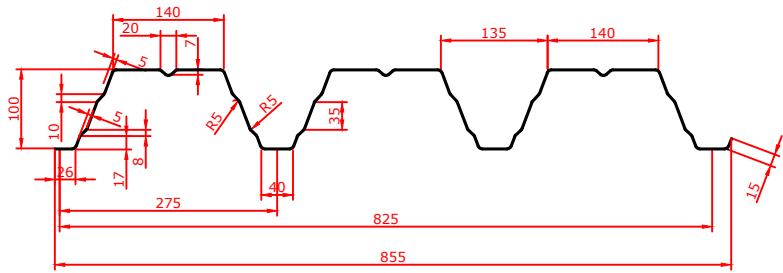
See drawing number FR17 for non-fragile fixing requirements

To be read in conjunction with Elite System specification documents

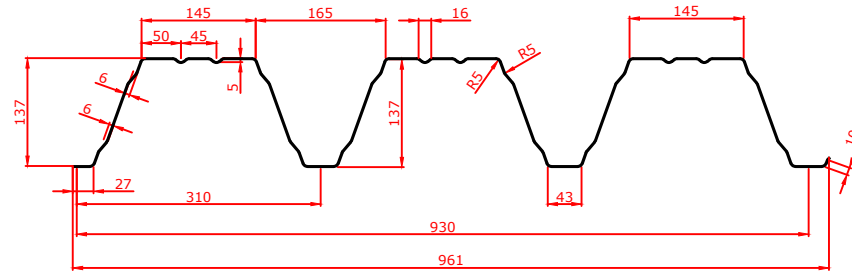


Brackets less than 260mm require 2 fixings diagonally opposite.
Brackets 260mm or more require 4 fixings.

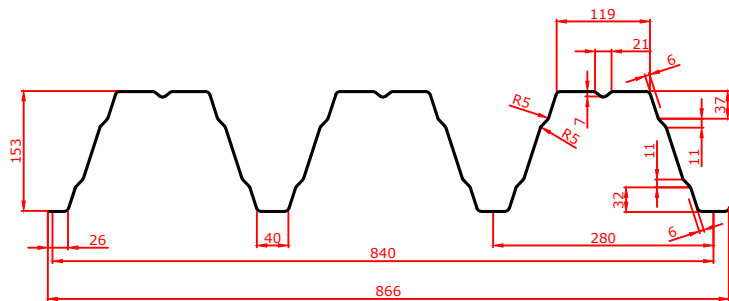




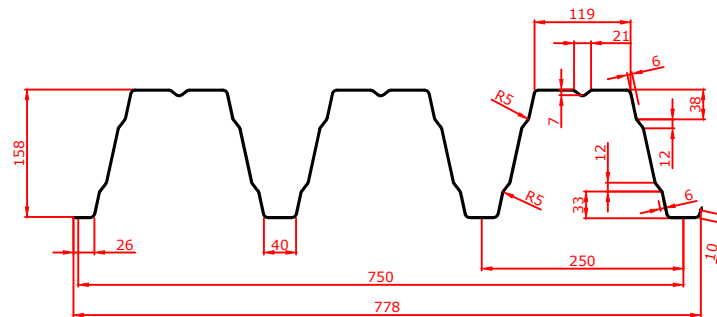
Eurodeck JID 100.275.825



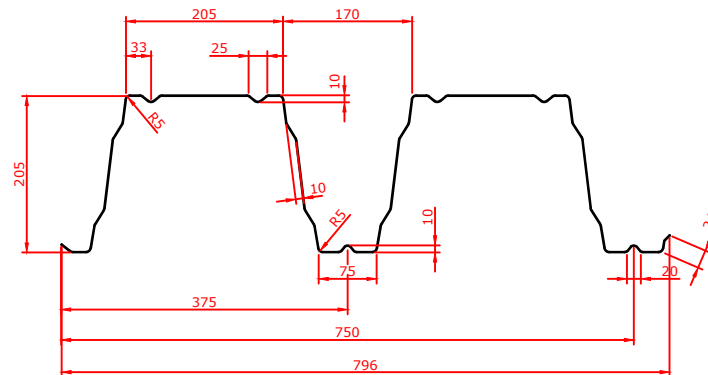
Eurodeck JID 137.310.930



Eurodeck JID 153.280.840



Eurodeck JID 158.250.750



Eurodeck JID 200.375.750

ELITE SYSTEMS

EUROCLAD

www.euroclad.com
Tel: +44 (0)2922 010 101
Fax: +44 (0)2922 010 122

TITLE: Elite System 6
DWG NO: E6
DRAWN: MP
CHECK: PCL
DATE: Nov 17
SCALE: NTS

This draft drawing has been supplied by Euro Clad Ltd for the purpose of guidance free of charge. It is a suggested typical detail and as such should not be assumed suitable for any specific project or application. No responsibility is assumed for errors or misinterpretations resulting from the information contained in the drawing. Details are for illustration only and no liability is accepted. We reserve the right to change the details without notice. The drawing is copyright, it remains our property.

See drawing number FR17 for non-fragile fixing requirements

To be read in conjunction with Elite System specification documents

ELITE SYSTEMS

EUROCLAD

www.euroclad.com
Tel: +44 (0)2922 010 101
Fax: +44 (0)2922 010 122

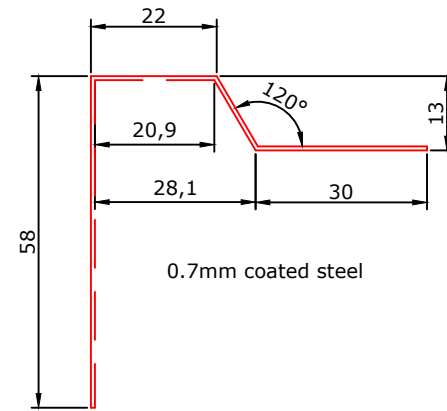
TITLE: Elite System 6
DWG NO: E6
DRAWN: MP
CHECK: PCL
DATE: Nov 17
SCALE: NTS

This draft drawing has been supplied by Euro Clad Ltd for the purpose of guidance free of charge. It is a suggested typical detail and as such should not be assumed suitable for any specific project or application. No responsibility is assumed for errors or misinterpretations resulting from the information contained in the drawing. Details are for illustration only and no liability is accepted. We reserve the right to change the details without notice. The drawing is copyright, it remains our property.

See drawing number FR17 for non-fragile fixing requirements

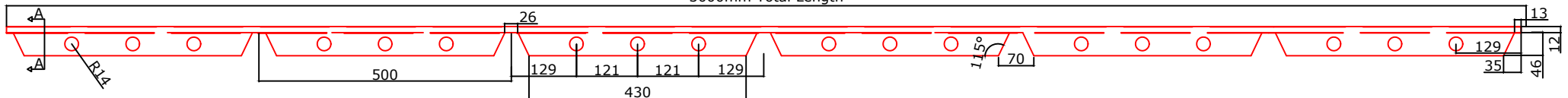
To be read in conjunction with Elite System specification documents

Section A-A



RIDGE SUPPORT SECTION ECSF-RSP

3000mm Total Length



ELITE SYSTEMS

EUROCLAD

www.euroclad.com
Tel: +44 (0)2922 010 101
Fax: +44 (0)2922 010 122

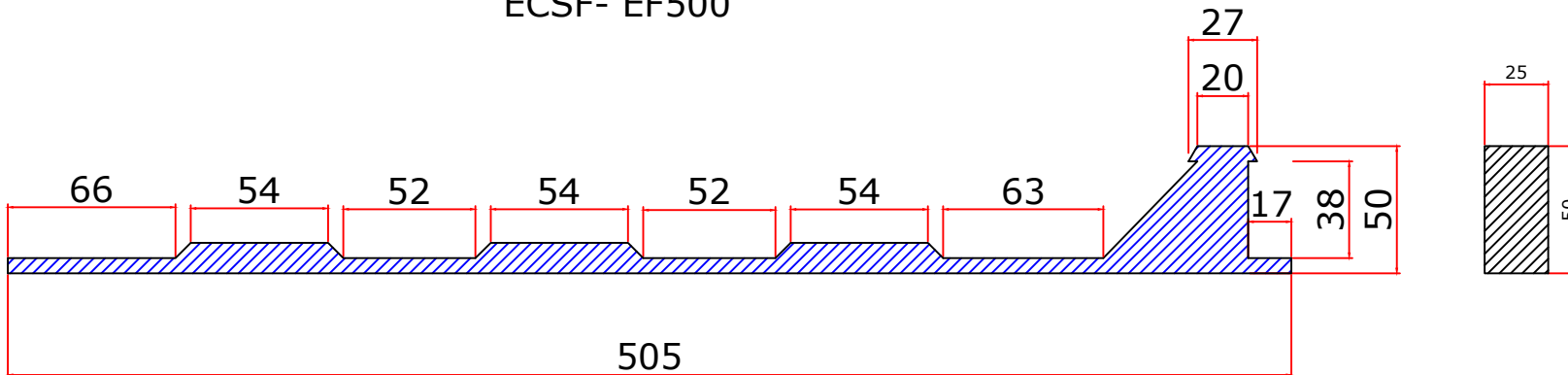
TITLE: Elite System 6
DWG NO: E6
DRAWN: MP
CHECK: PCL
DATE: Nov 17
SCALE: NTS

This draft drawing has been supplied by Euro Clad Ltd for the purpose of guidance free of charge. It is a suggested typical detail and as such should not be assumed suitable for any specific project or application. No responsibility is assumed for errors or misinterpretations resulting from the information contained in the drawing. Details are for illustration only and no liability is accepted. We reserve the right to change the details without notice. The drawing is copyright, it remains our property.

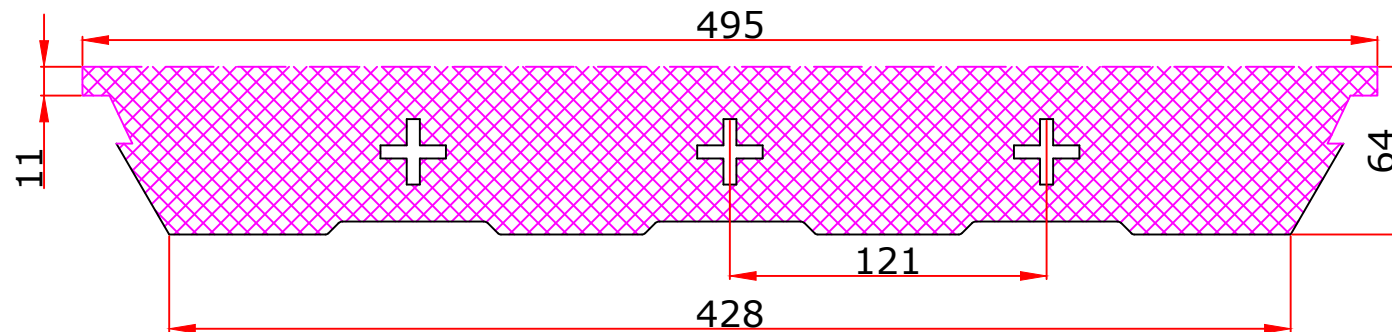
See drawing number FR17 for non-fragile fixing requirements

To be read in conjunction with Elite System specification documents

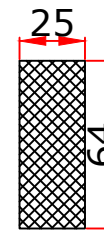
**SMALL FLUTE EAVES FILLER
ECSF- EF500**



RIDGE FILLER ECSF-RF500



Note: Remove slug (part cut crosses) of material prior to instillation to allow for ventilation



ELITE SYSTEMS

EUROCLAD

www.euroclad.com
Tel: +44 (0)2922 010 101
Fax: +44 (0)2922 010 122

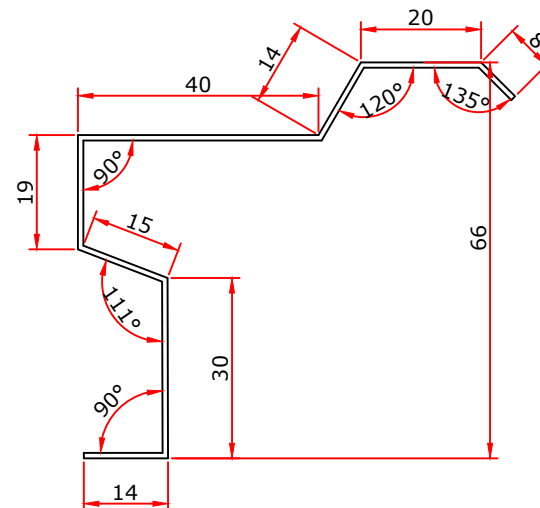
TITLE: Elite System 6
DWG NO: E6
DRAWN: MP
CHECK: PCL
DATE: Nov 17
SCALE: NTS

This draft drawing has been supplied by Euro Clad Ltd for the purpose of guidance free of charge. It is a suggested typical detail and as such should not be assumed suitable for any specific project or application. No responsibility is assumed for errors or misinterpretations resulting from the information contained in the drawing. Details are for illustration only and no liability is accepted. We reserve the right to change the details without notice. The drawing is copyright, it remains our property.

See drawing number FR17 for non-fragile fixing requirements

To be read in conjunction with Elite System specification documents

VERGE SUPPORT SECTION ECSF-V3



ELITE SYSTEMS

EUROCLAD

www.euroclad.com
Tel: +44 (0)2922 010 101
Fax: +44 (0)2922 010 122

TITLE: Elite System 6

DWG NO: E6

DRAWN: MP

CHECK: PCL

DATE: Nov 17

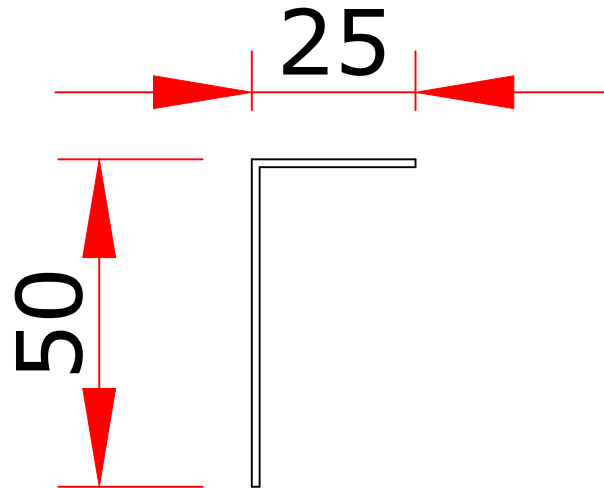
SCALE: NTS

This draft drawing has been supplied by Euro Clad Ltd for the purpose of guidance free of charge. It is a suggested typical detail and as such should not be assumed suitable for any specific project or application. No responsibility is assumed for errors or misinterpretations resulting from the information contained in the drawing. Details are for illustration only and no liability is accepted. We reserve the right to change the details without notice. The drawing is copyright, it remains our property.

See drawing number FR17 for non-fragile fixing requirements

To be read in conjunction with Elite System specification documents

EAVES DRIP ANGLE ECSF-DA



ELITE SYSTEMS

EUROCLAD

www.euroclad.com
Tel: +44 (0)2922 010 101
Fax: +44 (0)2922 010 122

TITLE: Elite System 6

DWG NO: E6

DRAWN: MP

CHECK: PCL

DATE: Nov 17

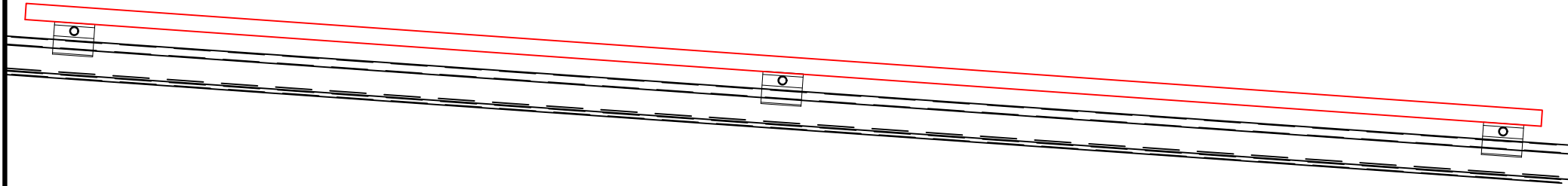
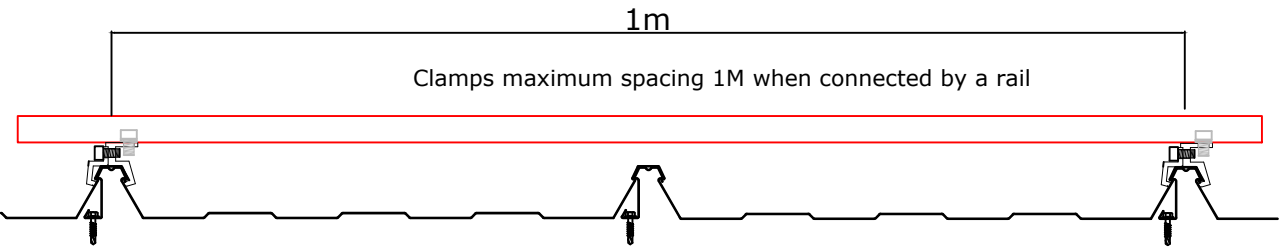
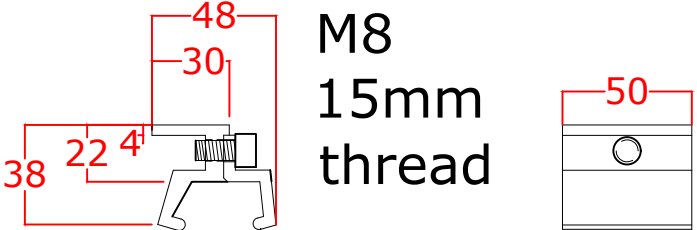
SCALE: NTS

This draft drawing has been supplied by Euro Clad Ltd for the purpose of guidance free of charge. It is a suggested typical detail and as such should not be assumed suitable for any specific project or application. No responsibility is assumed for errors or misinterpretations resulting from the information contained in the drawing. Details are for illustration only and no liability is accepted. We reserve the right to change the details without notice. The drawing is copyright, it remains our property.

See drawing number FR17 for non-fragile fixing requirements

To be read in conjunction with Elite System specification documents

Standard Accessory Clamp. EC SF Clamp 50



ELITE SYSTEMS

EUROCLAD

www.euroclad.com
Tel: +44 (0)2922 010 101
Fax: +44 (0)2922 010 122

TITLE: Elite System 6
DWG NO: E6
DRAWN: MP
CHECK: PCL
DATE: Nov 17
SCALE: NTS

This draft drawing has been supplied by Euro Clad Ltd for the purpose of guidance free of charge. It is a suggested typical detail and as such should not be assumed suitable for any specific project or application. No responsibility is assumed for errors or misinterpretations resulting from the information contained in the drawing. Details are for illustration only and no liability is accepted. We reserve the right to change the details without notice. The drawing is copyright, it remains our property.

See drawing number FR17 for non-fragile fixing requirements

To be read in conjunction with Elite System specification documents