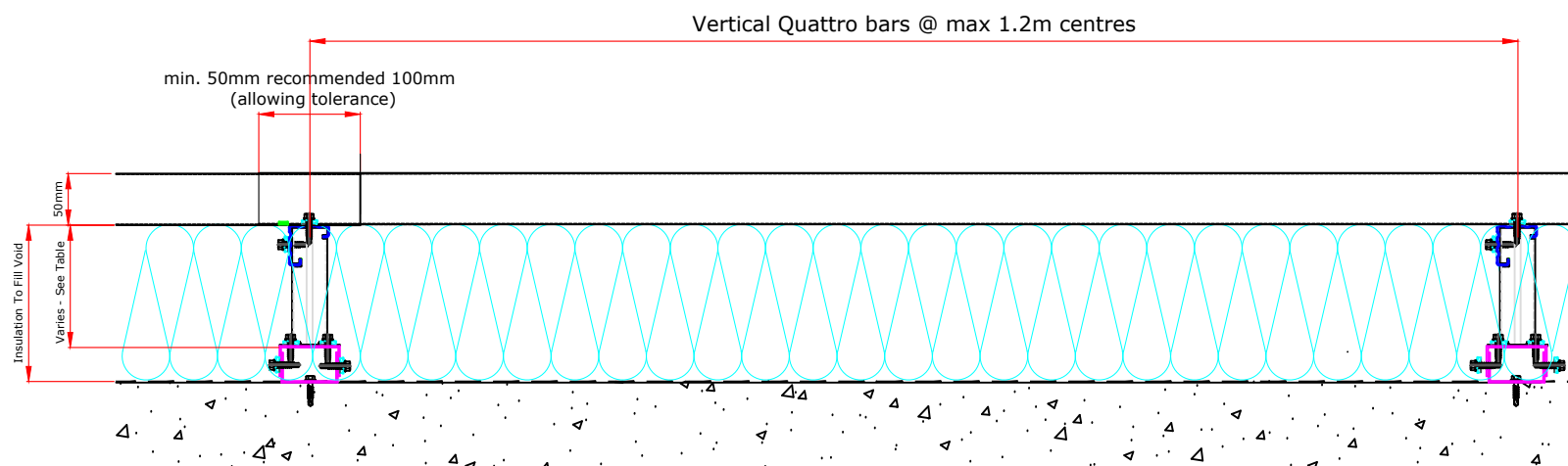


This draft drawing has been supplied by Euro Clad Ltd for the purpose of guidance free of charge. It is a suggested typical detail and as such should not be assumed suitable for any specific project or application. No responsibility is assumed for errors or misinterpretations resulting from the information contained in the drawing. Details are for illustration only and no liability is accepted. We reserve the right to change the details without notice. The drawing is copyright, it remains our property.

To be read in conjunction with Refresh guidance and specification documents



Refresh Wall Brick/Block Existing with Horizontal 50/1000 Outer Profile			
Quattro Bracket Height	Insulation Thickness *	Insulation Value	Minimum U Value with Rails at 1.2M & Brackets at 1.5M Centres
120mm	160mm	0.040	0.36
140mm	180mm	0.040	0.31
160mm	200mm	0.040	0.27
180mm	220mm	0.040	0.24
200mm	240mm	0.040	0.22
220mm	260mm	0.040	0.20

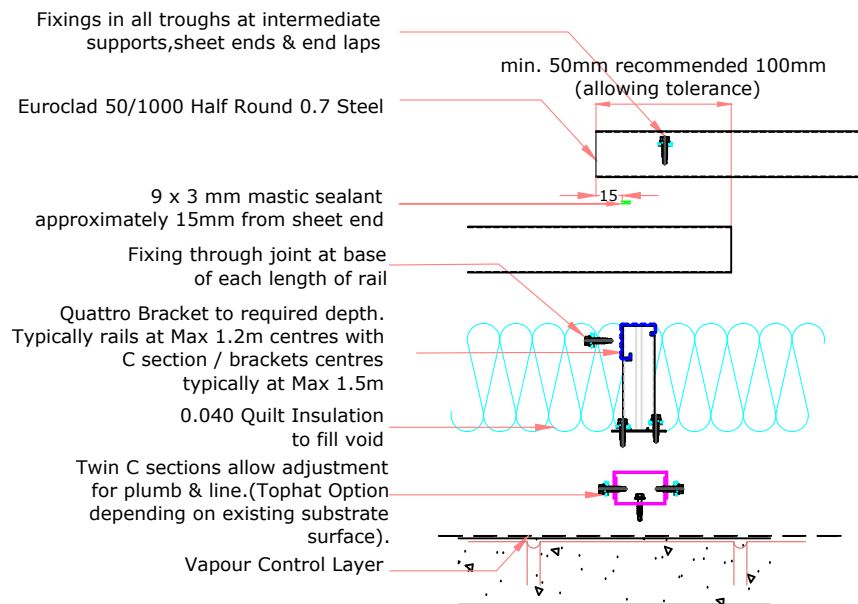
\* Insulation thickness is increased to allow for cleats/ tophats, typically based on Quattro bracket depth + 40mm.  
No allowance made for performance of block/brick wall in U value stated.

TITLE: Refresh Wall Brick/Block Existing with Horizontal 50 1000 Outer Profile  
DWG NO:  
DRAWN: EP  
CHECK: PCL  
DATE: May 2017  
SCALE: NTS

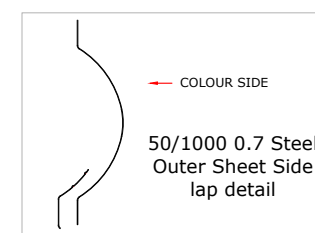
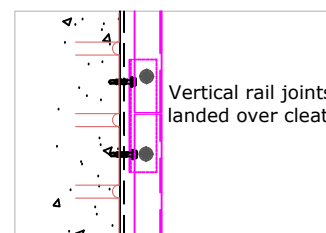
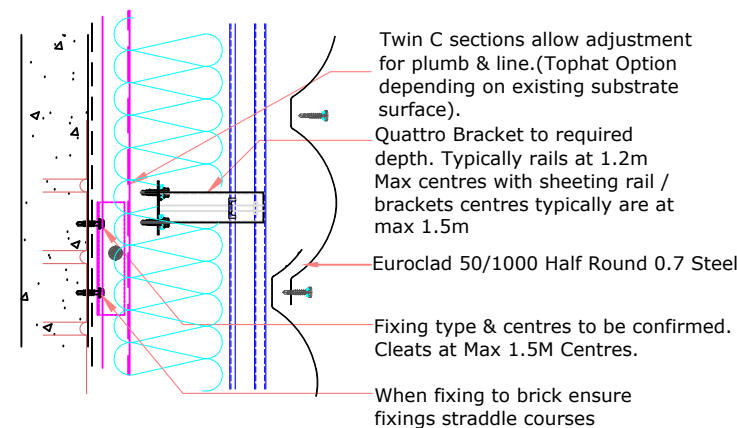
This draft drawing has been supplied by Euro Clad Ltd for the purpose of guidance free of charge. It is a suggested typical detail and as such should not be assumed suitable for any specific project or application. No responsibility is assumed for errors or misinterpretations resulting from the information contained in the drawing. Details are for illustration only and no liability is accepted. We reserve the right to change the details without notice. The drawing is copyright, it remains our property.

To be read in conjunction with Refresh guidance and specification documents

**REFRESH WALL WITH 50/1000 PROFILE END LAP DETAIL**



**REFRESH WALL WITH 50/1000 PROFILE SIDE LAP DETAIL**



# HALF ROUND 50/1000 0.7mm EXTERNAL SHEET

**EUROCLAD**

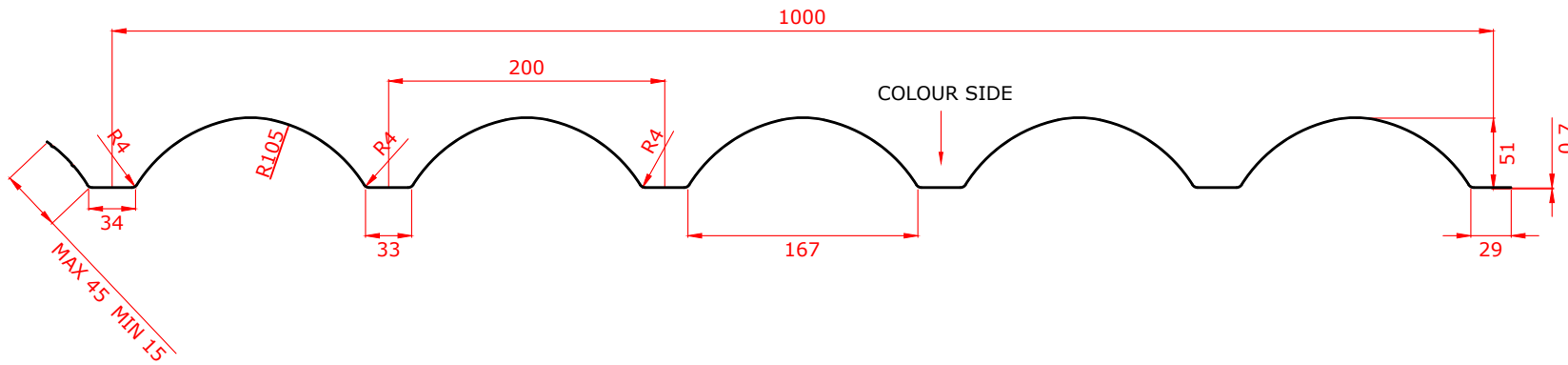
www.euroclad.com  
Tel: +44 (0)2922 010 101  
Fax: +44 (0)2922 010 122

**r**efresh

TITLE: Refresh Wall Brick/Block Existing with Horizontal 50 1000 Outer Profile  
DWG NO:  
DRAWN: EP  
CHECK: PCL  
DATE: May 2017  
SCALE: NTS

This draft drawing has been supplied by Euro Clad Ltd for the purpose of guidance free of charge. It is a suggested typical detail and as such should not be assumed suitable for any specific project or application. No responsibility is assumed for errors or misinterpretations resulting from the information contained in the drawing. Details are for illustration only and no liability is accepted. We reserve the right to change the details without notice. The drawing is copyright, it remains our property.

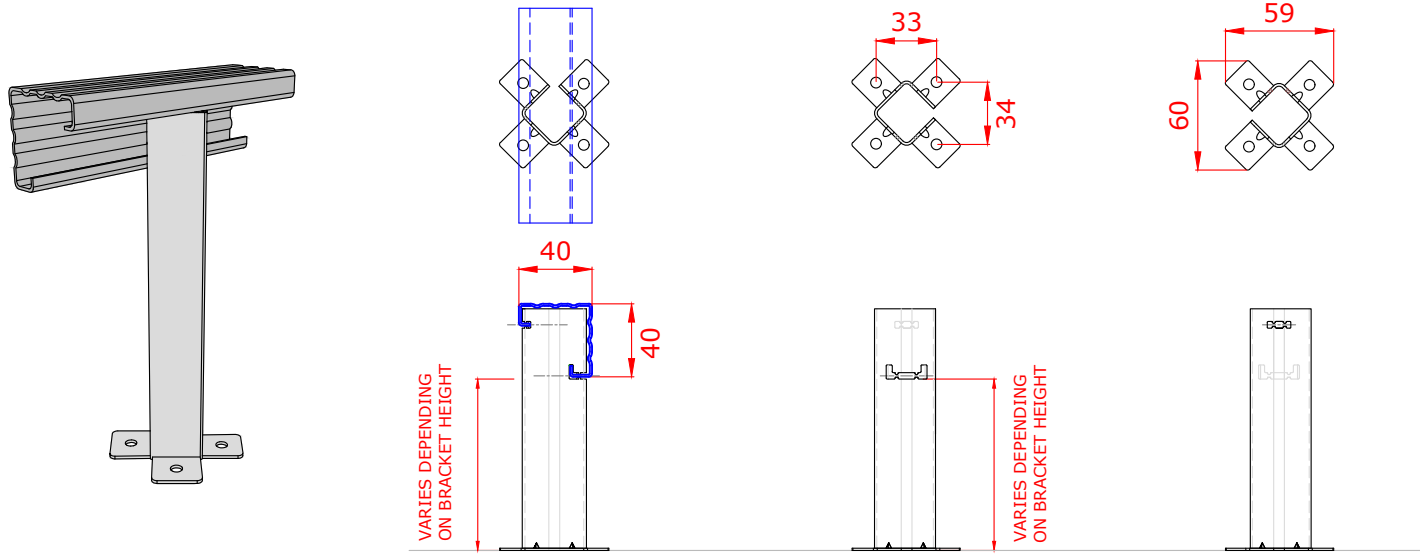
To be read in conjunction with Refresh guidance and specification documents



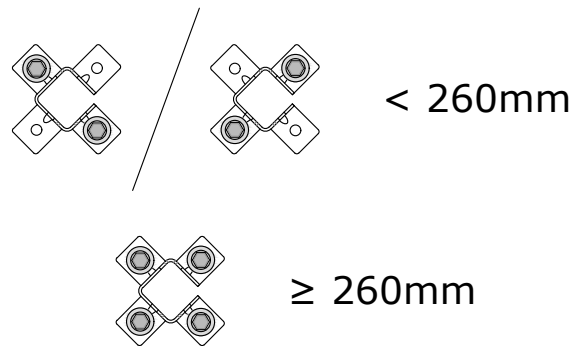
TITLE: Refresh Wall Brick/Block Existing with Horizontal 50 1000 Outer Profile  
 DWG NO:  
 DRAWN: EP  
 CHECK: PCL  
 DATE: May 2017  
 SCALE: NTS

This draft drawing has been supplied by Euro Clad Ltd for the purpose of guidance free of charge. It is a suggested typical detail and as such should not be assumed suitable for any specific project or application. No responsibility is assumed for errors or misinterpretations resulting from the information contained in the drawing. Details are for illustration only and no liability is accepted. We reserve the right to change the details without notice. The drawing is copyright, it remains our property.

To be read in conjunction with Refresh guidance and specification documents

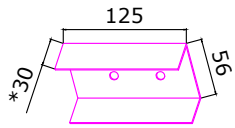
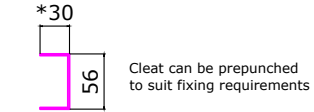


Brackets less than 260mm require 2 fixings diagonally opposite.  
 Brackets 260mm or more require 4 fixings.

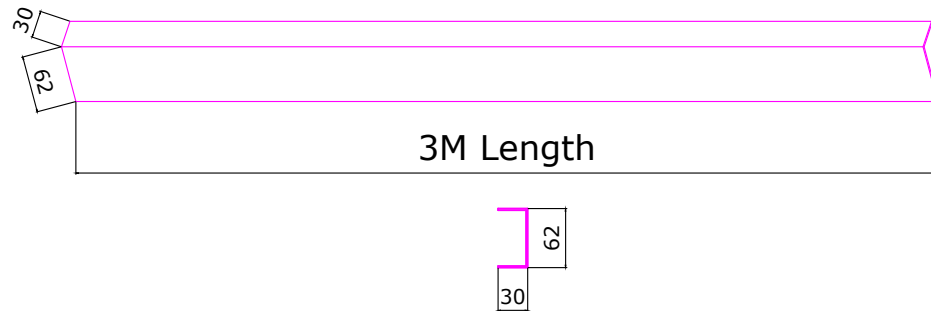


**Galv 'C' Rails and cleats are preferable  
when wall surface is uneven and allows for adjustment.**

**\*Cleat depth can be adjusted  
according to site requirements**

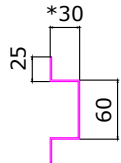


**Material: 1.5mm Galv**

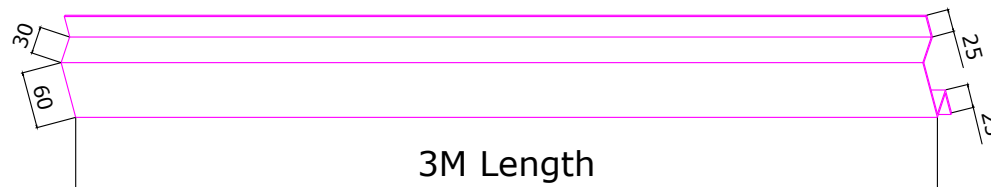


**Tophats can be considered if wall surface  
is even with little variation.**

**\*Tophat depth can be adjusted  
according to site requirements**



**Material: 1.5mm Galv**



TITLE: Refresh Wall Brick/Block Existing with Horizontal 50 1000 Outer Profile  
DWG NO:  
DRAWN: EP  
CHECK: PCL  
DATE: May 2017  
SCALE: NTS

This draft drawing has been supplied by Euro Clad Ltd for the purpose of guidance free of charge. It is a suggested typical detail and as such should not be assumed suitable for any specific project or application. No responsibility is assumed for errors or misinterpretations resulting from the information contained in the drawing. Details are for illustration only and no liability is accepted. We reserve the right to change the details without notice. The drawing is copyright, it remains our property.

To be read in conjunction with Refresh guidance and specification documents