

ELITE SYSTEMS

EUROCLAD

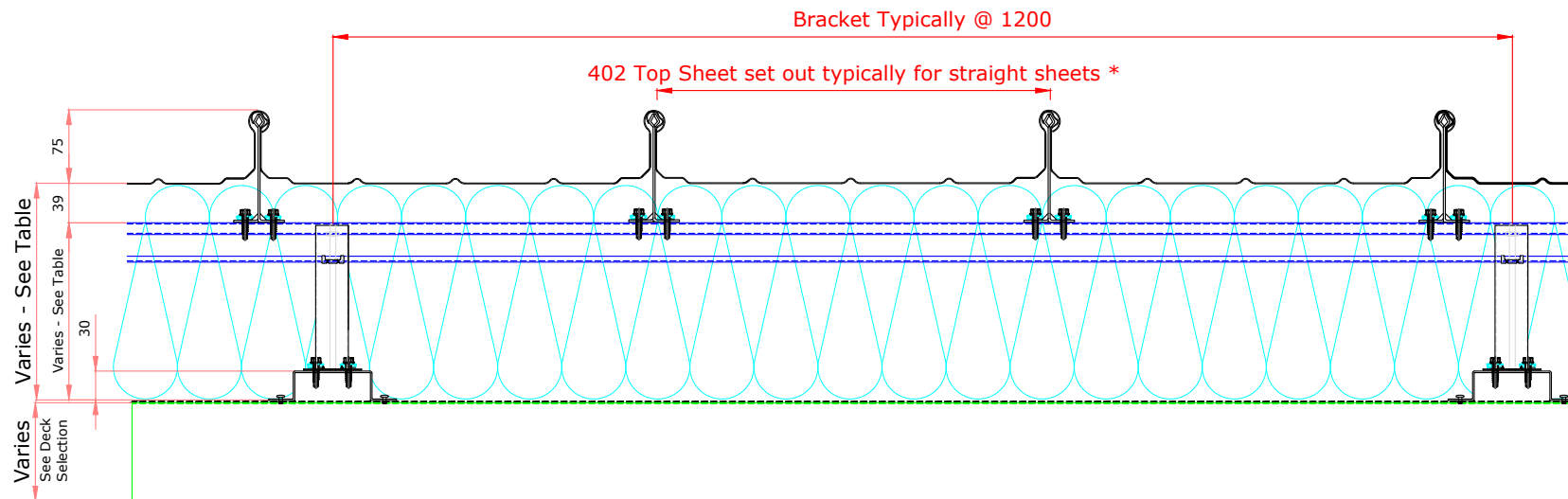
www.euroclad.com
Tel: +44 (0)2922 010 101
Fax: +44 (0)2922 010 122

TITLE: Elite System 5
DWG NO: E5
DRAWN: MP
CHECK: PCL
DATE: February 17
SCALE: NTS

This draft drawing has been supplied by Euro Clad Ltd for the purpose of guidance free of charge. It is a suggested typical detail and as such should not be assumed suitable for any specific project or application. No responsibility is assumed for errors or misinterpretations resulting from the information contained in the drawing. Details are for illustration only and no liability is accepted. We reserve the right to change the details without notice. The drawing is copyright, it remains our property.

See drawing number FR16 for non-fragile fixing requirements

To be read in conjunction with Elite System specification documents



Elite System 5

Bracket Height	Halter Size	Cavity Depth	Insulation Thickness	Insulation Value	System Depth Excluding deck	U Value at 1.5M Centres	Nominal Weight/M ²	
							Kn 40	RW
100mm	110mm	169mm	200mm	0.040 λ	245mm	0.25	8Kg/m ²	11Kg/m ²
120mm	110mm	189mm	220mm	0.040 λ	265mm	0.22	8.3Kg/m ²	11.6Kg/m ²
140mm	110mm	209mm	240mm	0.040 λ	285mm	0.20	8.54Kg/m ²	12.14Kg/m ²
160mm	110mm	229mm	250 / 260mm	0.040 λ	305mm	0.19	8.80Kg/m ²	12.43Kg/m ²
180mm	110mm	249mm	280mm	0.040 λ	325mm	0.17	9.06Kg/m ²	13.26Kg/m ²
200mm	110mm	269mm	300mm	0.040 λ	345mm	0.16	9.32Kg/m ²	13.82Kg/m ²
220mm	110mm	289mm	320mm	0.040 λ	365mm	0.15	9.58Kg/m ²	14.38Kg/m ²

Weight not including deck

*Some adjustment of the halter setout for sheets may be required

ELITE SYSTEMS



www.euroclad.com
Tel: +44 (0)2922 010 101
Fax: +44 (0)2922 010 122

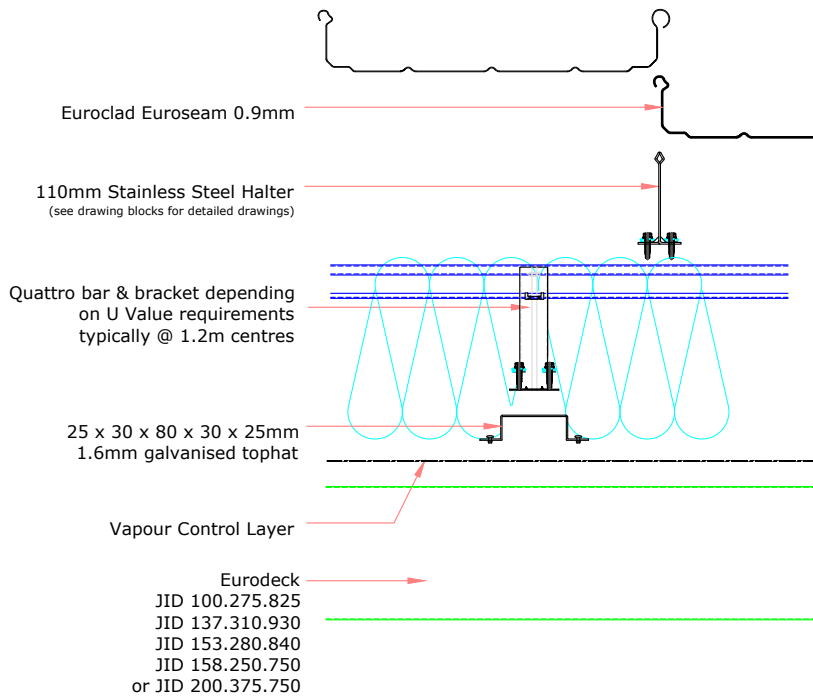
TITLE: Elite System 5
DWG NO: E5
DRAWN: MP
CHECK: PCL
DATE: February 17
SCALE: NTS

This draft drawing has been supplied by Euro Clad Ltd for the purpose of guidance free of charge. It is a suggested typical detail and as such should not be assumed suitable for any specific project or application. No responsibility is assumed for errors or misinterpretations resulting from the information contained in the drawing. Details are for illustration only and no liability is accepted. We reserve the right to change the details without notice. The drawing is copyright, it remains our property.

See drawing number FR16 for non-fragile fixing requirements

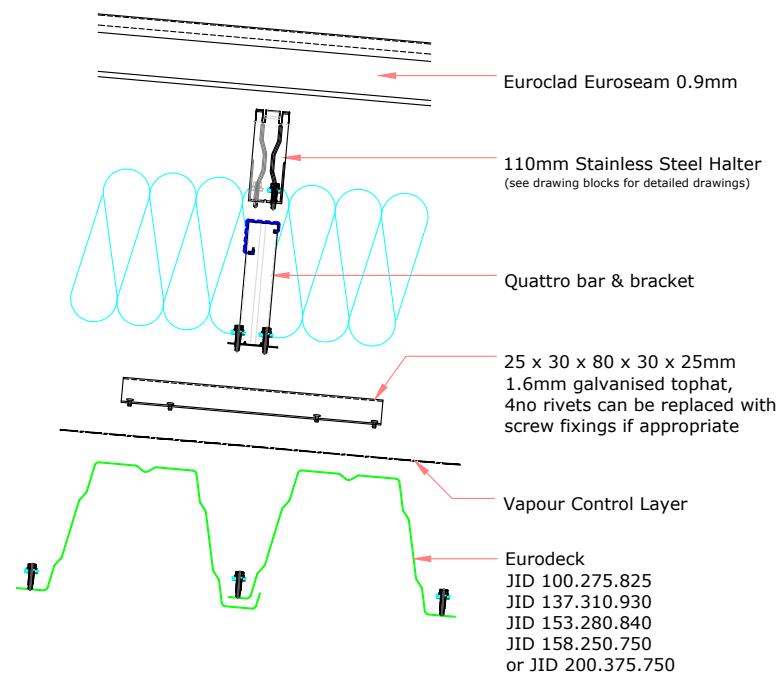
To be read in conjunction with Elite System specification documents

ELITE SYSTEM 5 SIDE LAP DETAIL

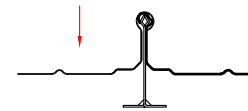


Tophat fixings
Rivets are recommended for gauges $\geq 0.7\text{mm} - 1.25\text{mm}$
Self drilling screws recommended for gauges $\geq 1.25\text{mm}$
Screw fixings specified for tophats can be replaced with rivets if required for aesthetics.
Rivets for illustration only.

ELITE SYSTEM 5 END DETAIL



COLOUR SIDE (IF APPLICABLE)



ELITE SYSTEMS



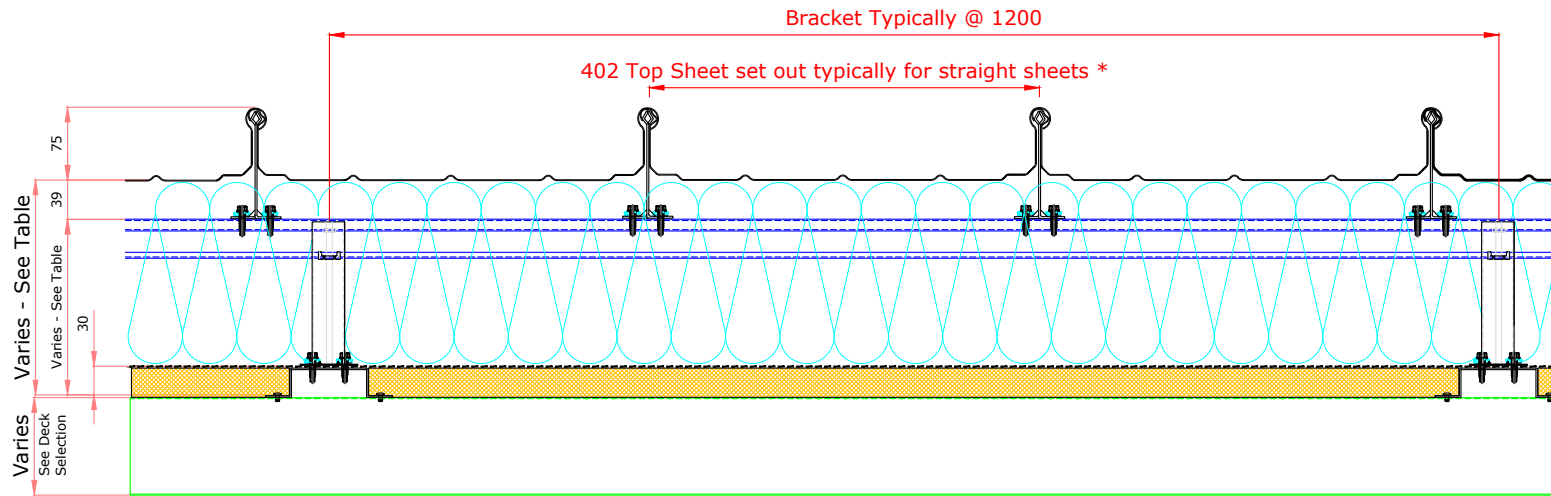
www.euroclad.com
Tel: +44 (0)2922 010 101
Fax: +44 (0)2922 010 122

TITLE: Elite System 5
DWG NO: E5
DRAWN: MP
CHECK: PCL
DATE: February 17
SCALE: NTS

This draft drawing has been supplied by Euro Clad Ltd for the purpose of guidance free of charge. It is a suggested typical detail and as such should not be assumed suitable for any specific project or application. No responsibility is assumed for errors or misinterpretations resulting from the information contained in the drawing. Details are for illustration only and no liability is accepted. We reserve the right to change the details without notice. The drawing is copyright, it remains our property.

See drawing number FR16 for non-fragile fixing requirements

To be read in conjunction with Elite System specification documents



Elite System 5A1

Bracket Height	Halter Size	Cavity Depth	Insulation Thickness	Insulation Value	System Depth Excluding deck	U Value at 1.5M Centres	Nominal Weight/M ²	
							Kn 40	RW
100mm	110mm	169mm	150/160 + 30mm	0.040 & 0.034 λ	245mm	0.25	9.33Kg/m ²	11.46Kg/m ²
120mm	110mm	189mm	180 + 30mm	0.040 & 0.034 λ	265mm	0.22	9.60Kg/m ²	12.30Kg/m ²
140mm	110mm	209mm	200 + 30mm	0.040 & 0.034 λ	285mm	0.20	9.86Kg/m ²	12.86Kg/m ²
160mm	110mm	229mm	220 + 30mm	0.040 & 0.034 λ	305mm	0.19	10.12Kg/m ²	13.42Kg/m ²
180mm	110mm	249mm	240 + 30mm	0.040 & 0.034 λ	325mm	0.17	10.38Kg/m ²	13.98Kg/m ²
200mm	110mm	269mm	260/270 + 30mm	0.040 & 0.034 λ	345mm	0.16	10.64Kg/m ²	14.81Kg/m ²
220mm	110mm	289mm	280 + 30mm	0.040 & 0.034 λ	365mm	0.15	10.90Kg/m ²	15.10Kg/m ²

Weight not including deck

*Some adjustment of the halter setout for sheets may be required

ELITE SYSTEMS



www.euroclad.com
Tel: +44 (0)2922 010 101
Fax: +44 (0)2922 010 122

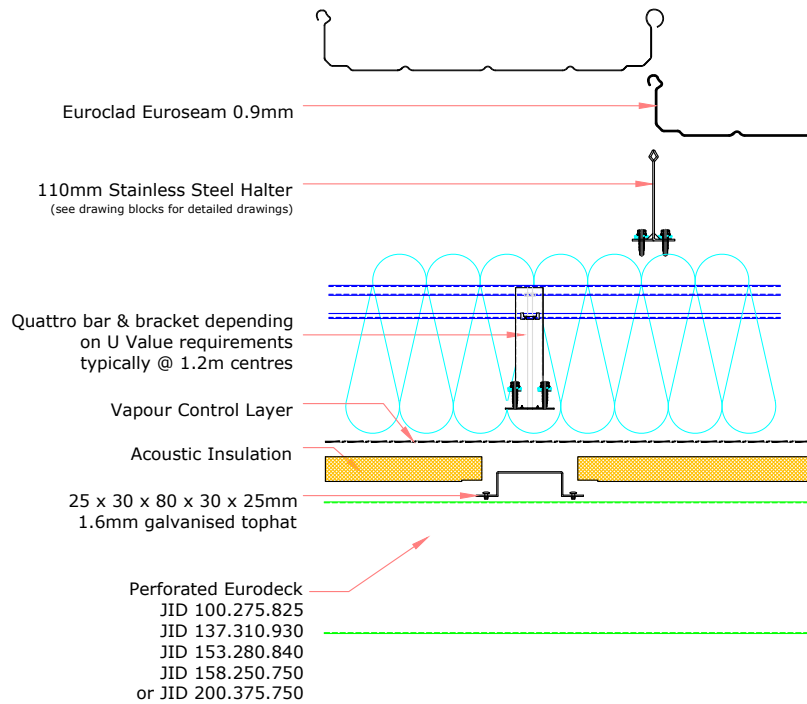
TITLE: Elite System 5
DWG NO: E5
DRAWN: MP
CHECK: PCL
DATE: February 17
SCALE: NTS

This draft drawing has been supplied by Euro Clad Ltd for the purpose of guidance free of charge. It is a suggested typical detail and as such should not be assumed suitable for any specific project or application. No responsibility is assumed for errors or misinterpretations resulting from the information contained in the drawing. Details are for illustration only and no liability is accepted. We reserve the right to change the details without notice. The drawing is copyright, it remains our property.

See drawing number FR16 for non-fragile fixing requirements

To be read in conjunction with Elite System specification documents

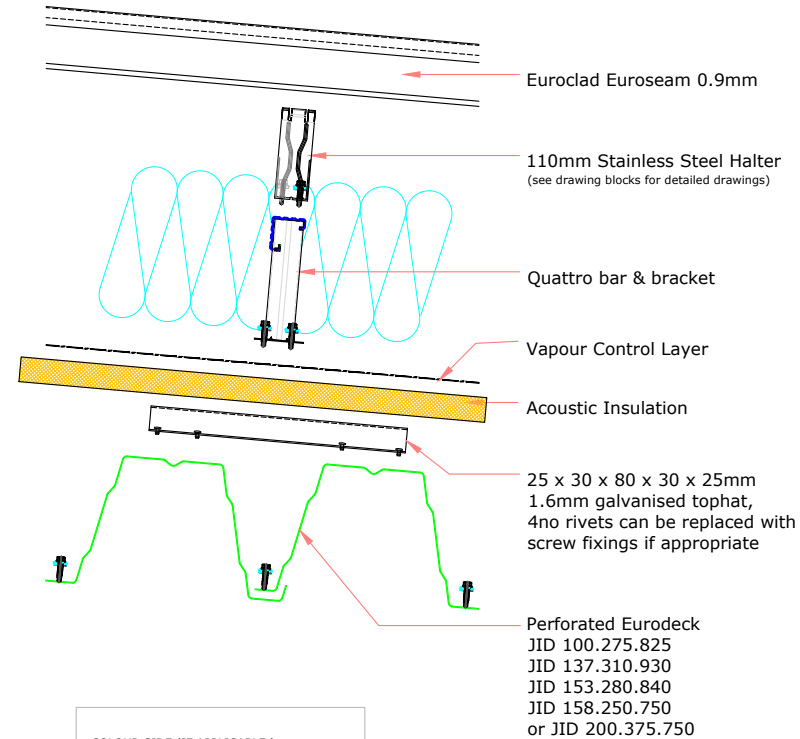
ELITE SYSTEM 5 SIDE LAP DETAIL



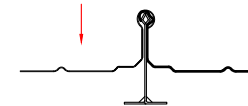
Tophat fixings

Rivets are recommended for gauges $\geq 0.7\text{mm} - 1.25\text{mm}$
Self drilling screws recommended for gauges $\geq 1.25\text{mm}$
Screw fixings specified for tophats can be replaced with rivets if required for aesthetics.
Rivets for illustration only.

ELITE SYSTEM 5 END DETAIL



COLOUR SIDE (IF APPLICABLE)

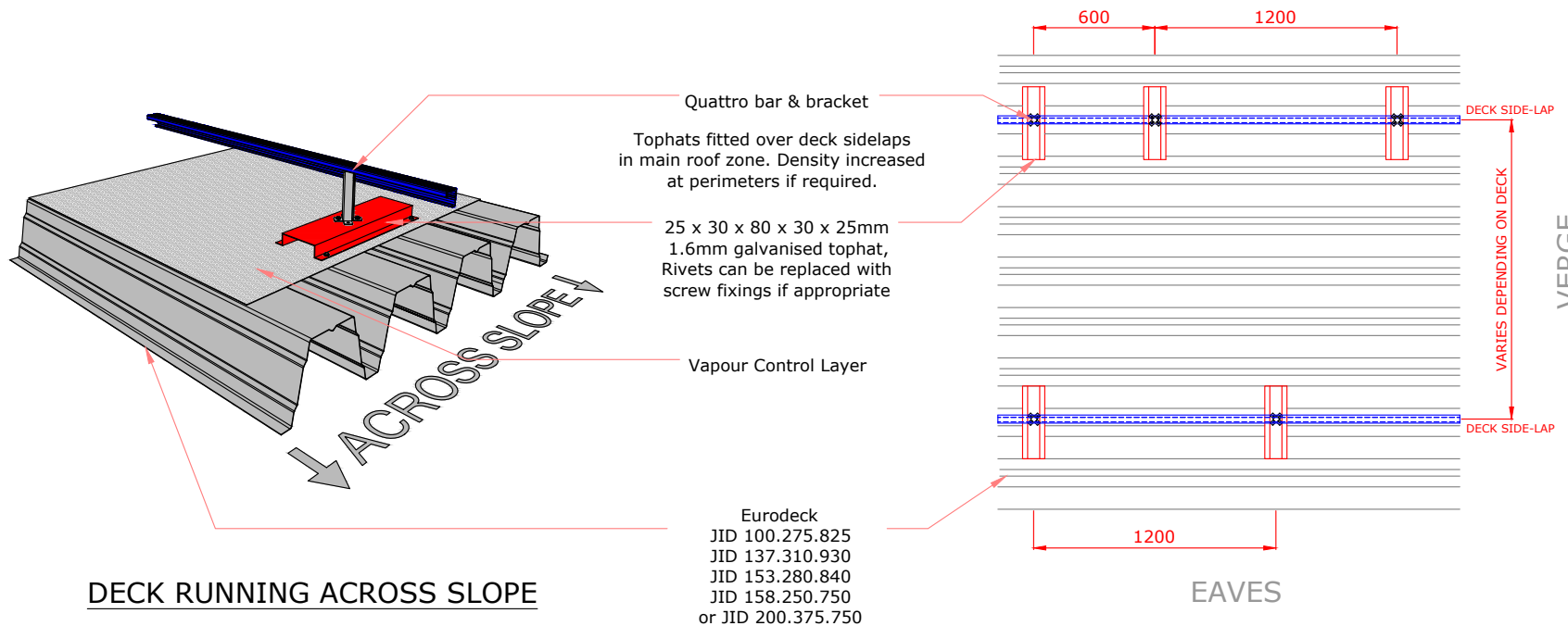


This draft drawing has been supplied by Euro Clad Ltd for the purpose of guidance free of charge. It is a suggested typical detail and as such should not be assumed suitable for any specific project or application. No responsibility is assumed for errors or misinterpretations resulting from the information contained in the drawing. Details are for illustration only and no liability is accepted. We reserve the right to change the details without notice. The drawing is copyright, it remains our property.

See drawing number FR16 for non-fragile fixing requirements

To be read in conjunction with Elite System specification documents

The distributed load from the external sheet is transferred through the spacer system and tophats to the deck. The tophats as illustrated allow the load to be distributed to each and every deck sheet, avoiding any 1 sheet taking all of the load. It also allows spacer rails to be fitted to the deck in straight rows (rather than diagonal). The use of tophats c400mm long allows for ease of installation on curved roofs. In most cases the maximum spacing achieved will not cause any issues for the external sheet load/span capacity. However, some deck sheets with larger widths will result in centres which may become problematic for the external sheet span ie 1120 wide deck giving centres of 2.240M. In such cases other deck profiles should be considered or the use of longer tophats to allow closer centres for the spacer rails to be achieved. In all cases the external sheet load should be distributed to all deck sheets.



Tophat and Rail centres Upslope determined by loadings and deck cover-width. Typically fixed on each deck sheet for approx 2M from eaves & ridge line and then straddling the deck sidelap in main roof zones at 2 x deck coverwidth. Tophat/Bracket centres along rail determined by loading but typically at 1.2M

ELITE SYSTEMS



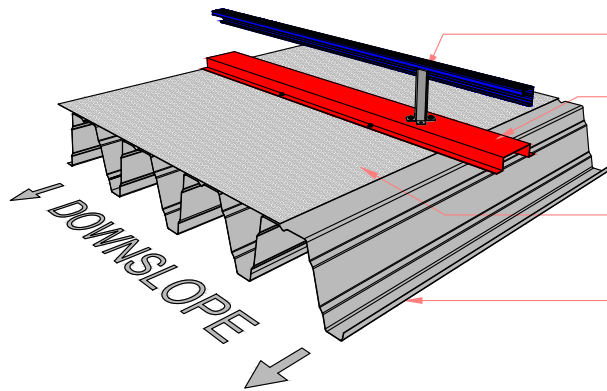
www.euroclad.com
Tel: +44 (0)2922 010 101
Fax: +44 (0)2922 010 122

TITLE: Elite System 5
DWG NO: E5
DRAWN: MP
CHECK: PCL
DATE: February 17
SCALE: NTS

This draft drawing has been supplied by Euro Clad Ltd for the purpose of guidance free of charge. It is a suggested typical detail and as such should not be assumed suitable for any specific project or application. No responsibility is assumed for errors or misinterpretations resulting from the information contained in the drawing. Details are for illustration only and no liability is accepted. We reserve the right to change the details without notice. The drawing is copyright, it remains our property.

See drawing number FR16 for non-fragile fixing requirements

To be read in conjunction with Elite System specification documents

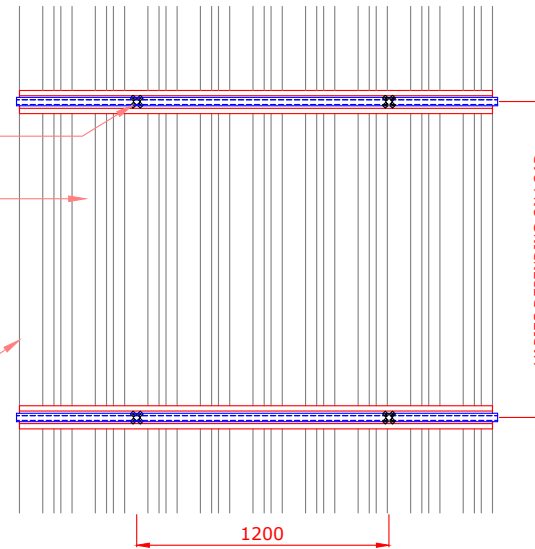


Quattro bar & bracket

25 x 30 x 80 x 30 x 25mm
1.6mm galvanised tophat,
Rivets can be replaced with
screw fixings if appropriate

Vapour Control Layer

Eurodeck
JID 100.275.825
JID 137.310.930
JID 153.280.840
JID 158.250.750
or JID 200.375.750



1200
EAVES

VARIES DEPENDING ON LOAD

ELITE SYSTEMS

EUROCLAD

www.euroclad.com
Tel: +44 (0)2922 010 101
Fax: +44 (0)2922 010 122

TITLE: Elite System 5

DWG NO: E5

DRAWN: MP

CHECK: PCL

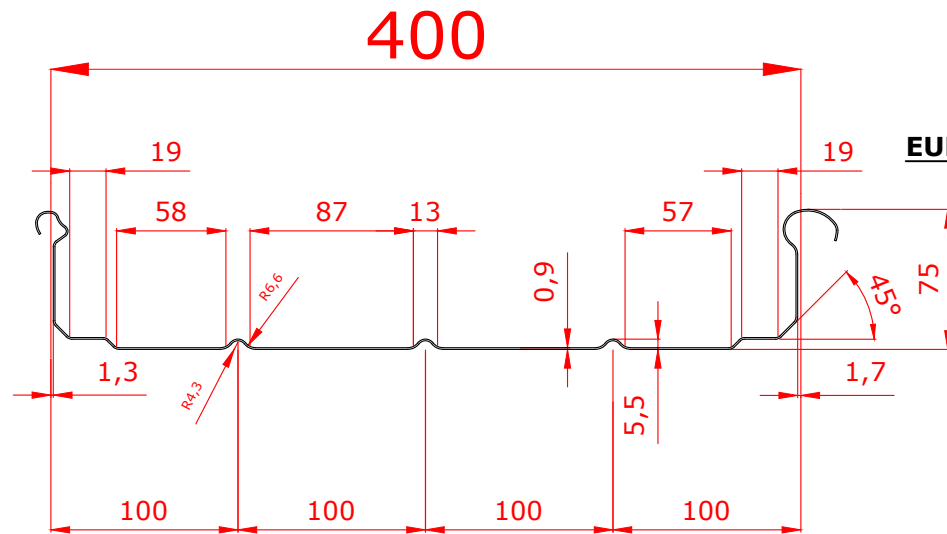
DATE: February 17

SCALE: NTS

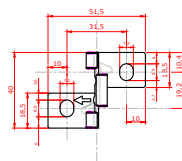
This draft drawing has been supplied by Euro Clad Ltd for the purpose of guidance free of charge. It is a suggested typical detail and as such should not be assumed suitable for any specific project or application. No responsibility is assumed for errors or misinterpretations resulting from the information contained in the drawing. Details are for illustration only and no liability is accepted. We reserve the right to change the details without notice. The drawing is copyright, it remains our property.

See drawing number FR16 for non-fragile fixing requirements

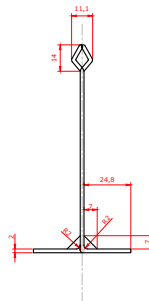
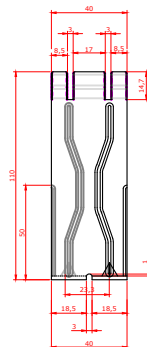
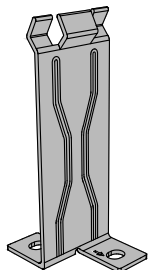
To be read in conjunction with Elite System specification documents



**EUROCLAD EUROSEAM 0.9mm
EXTERNAL SHEET**



**EUROCLAD 110mm
STAINLESS STEEL HALTER**



ELITE SYSTEMS

EUROCLAD

www.euroclad.com
Tel: +44 (0)2922 010 101
Fax: +44 (0)2922 010 122

TITLE: Elite System 5

DWG NO: E5

DRAWN: MP

CHECK: PCL

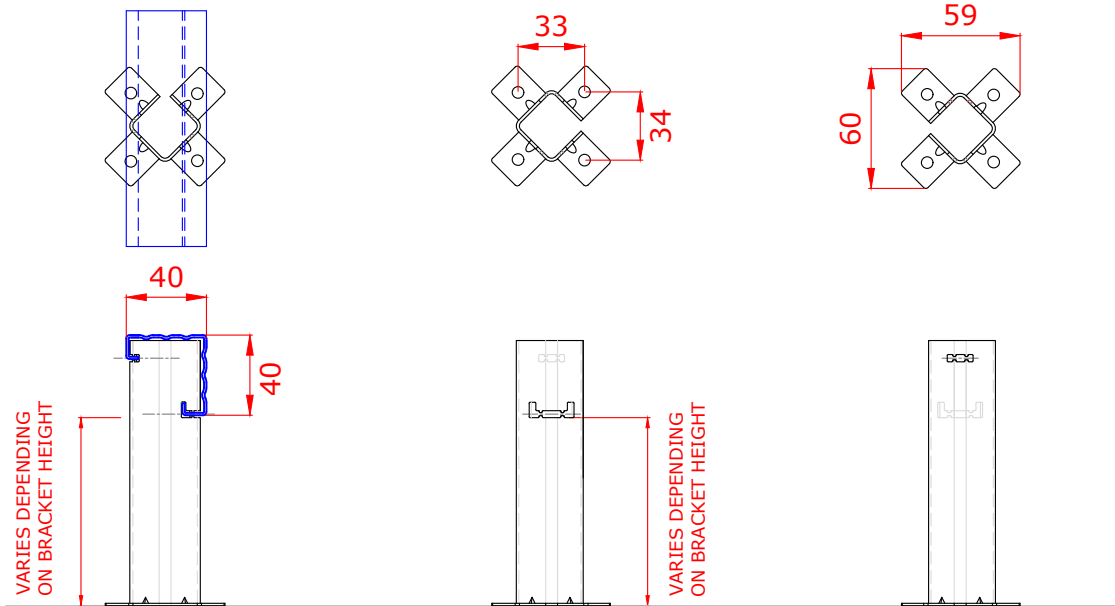
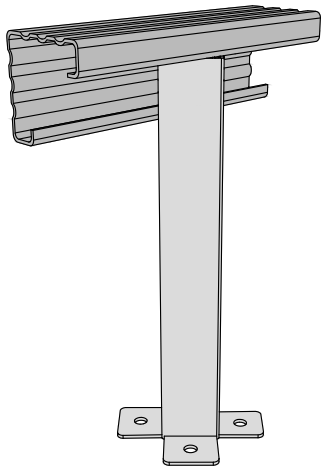
DATE: February 17

SCALE: NTS

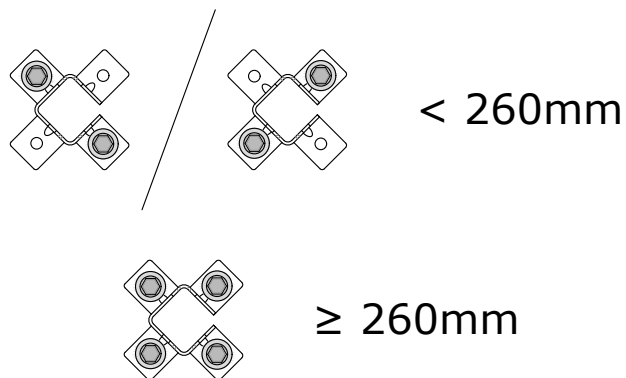
This draft drawing has been supplied by Euro Clad Ltd for the purpose of guidance free of charge. It is a suggested typical detail and as such should not be assumed suitable for any specific project or application. No responsibility is assumed for errors or misinterpretations resulting from the information contained in the drawing. Details are for illustration only and no liability is accepted. We reserve the right to change the details without notice. The drawing is copyright, it remains our property.

See drawing number FR16 for non-fragile fixing requirements

To be read in conjunction with Elite System specification documents



Brackets less than 260mm require 2 fixings diagonally opposite.
Brackets 260mm or more require 4 fixings.



ELITE SYSTEMS

EUROCLAD

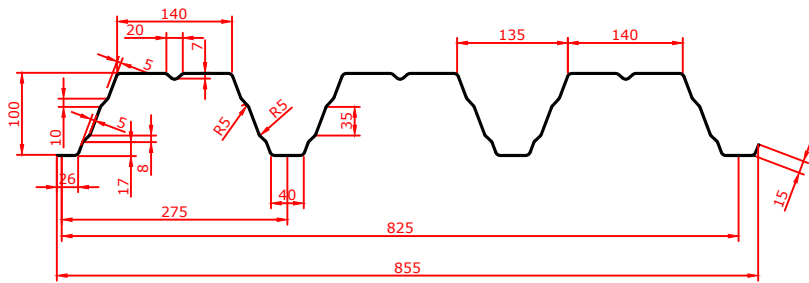
www.euroclad.com
Tel: +44 (0)2922 010 101
Fax: +44 (0)2922 010 122

TITLE: Elite System 5
DWG NO: E5
DRAWN: MP
CHECK: PCL
DATE: February 17
SCALE: NTS

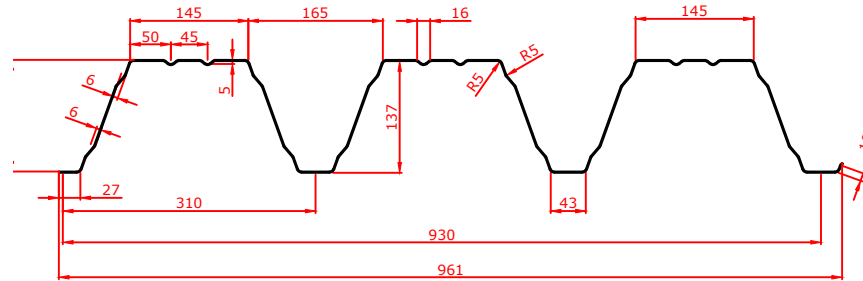
This draft drawing has been supplied by Euro Clad Ltd for the purpose of guidance free of charge. It is a suggested typical detail and as such should not be assumed suitable for any specific project or application. No responsibility is assumed for errors or misinterpretations resulting from the information contained in the drawing. Details are for illustration only and no liability is accepted. We reserve the right to change the details without notice. The drawing is copyright, it remains our property.

See drawing number FR16 for non-fragile fixing requirements

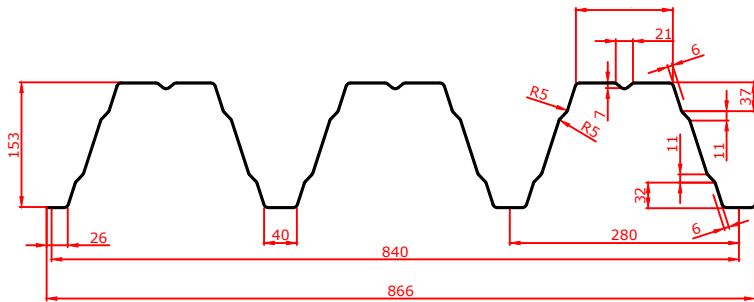
To be read in conjunction with Elite System specification documents



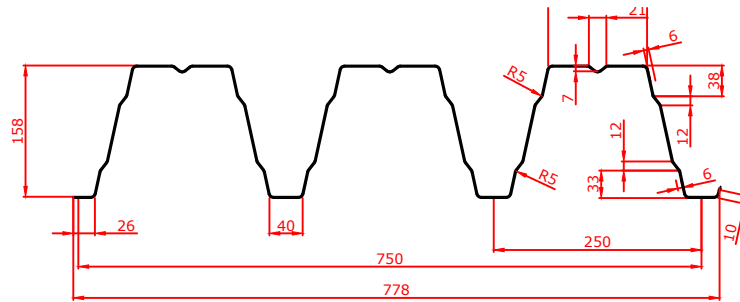
Eurodeck JID 100.275.825



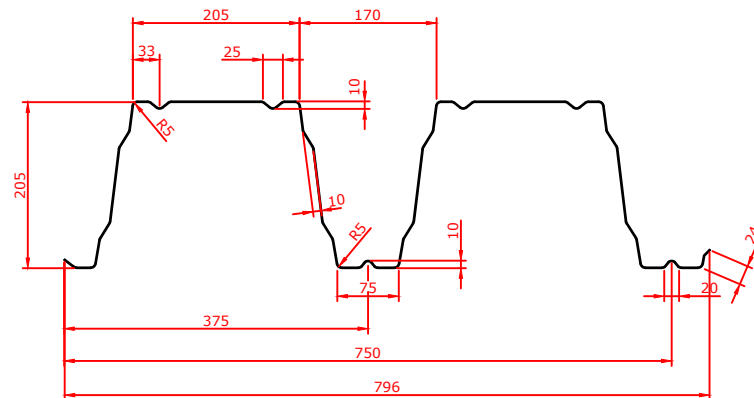
Eurodeck JID 137.310.930



Eurodeck JID 153.280.840



Eurodeck JID 158.250.750



Eurodeck JID 200.375.750