

ELITE SYSTEMS

EUROCLAD

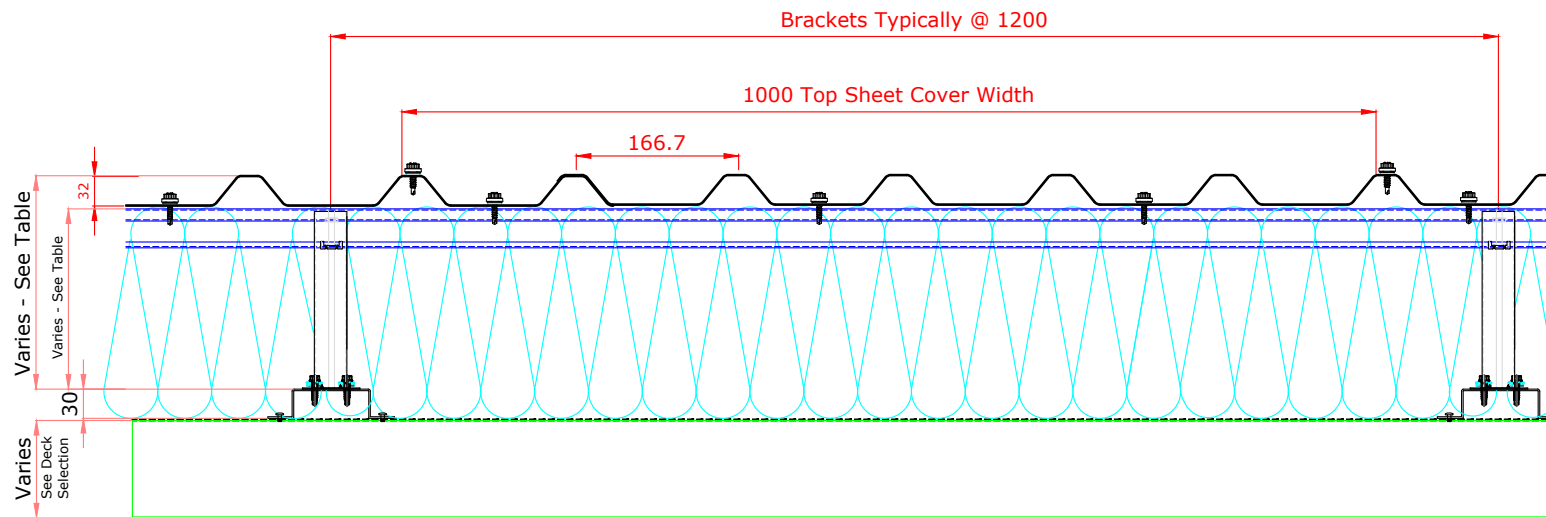
www.euroclad.com
Tel: +44 (0)2922 010 101
Fax: +44 (0)2922 010 122

TITLE: Elite System 7
DWG NO: E7
DRAWN: MP
CHECK: PCL
DATE: February 17
SCALE: NTS

This draft drawing has been supplied by Euro Clad Ltd for the purpose of guidance free of charge. It is a suggested typical detail and as such should not be assumed suitable for any specific project or application. No responsibility is assumed for errors or misinterpretations resulting from the information contained in the drawing. Details are for illustration only and no liability is accepted. We reserve the right to change the details without notice. The drawing is copyright, it remains our property.

See drawing number FR16 for non-fragile fixing requirements

To be read in conjunction with Elite System specification documents



Elite System 7

Bracket Height	Tophat Size	Cavity Depth	Insulation Thickness	Insulation Value	System Depth Excluding deck	U Value at 1.5M Centres	Nominal Weight/M ²	
							Kn 40	RW
140mm	30mm	170mm	170*/180mm	0.040 λ	202mm	0.25	11.60 kg/m ²	14.30 kg/m ²
220mm	30mm	250mm	250mm*/260mm	0.040 λ	282mm	0.17	12.53 kg/m ²	16.28 kg/m ²
240mm	30mm	270mm	270mm*/280mm	0.040 λ	302mm	0.16	12.91 kg/m ²	16.84 kg/m ²
260mm	30mm	290mm	300mm	0.040 λ	322mm	0.15	13.17 kg/m ²	17.67 kg/m ²

* Rockwool Cladding Roll only

Weight does not include Deck
Other u-values by request

ELITE SYSTEMS



www.euroclad.com
 Tel: +44 (0)2922 010 101
 Fax: +44 (0)2922 010 122

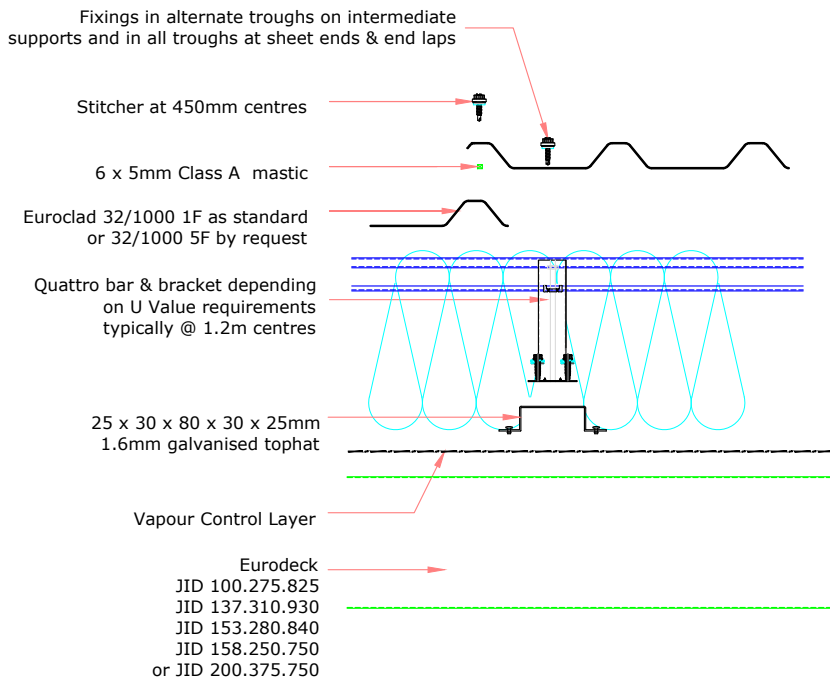
TITLE: Elite System 7
 DWG NO: E7
 DRAWN: MP
 CHECK: PCL
 DATE: February 17
 SCALE: NTS

This draft drawing has been supplied by Euro Clad Ltd for the purpose of guidance free of charge. It is a suggested typical detail and as such should not be assumed suitable for any specific project or application. No responsibility is assumed for errors or misinterpretations resulting from the information contained in the drawing. Details are for illustration only and no liability is accepted. We reserve the right to change the details without notice. The drawing is copyright, it remains our property.

See drawing number FR16 for non-fragile fixing requirements

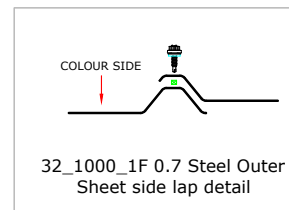
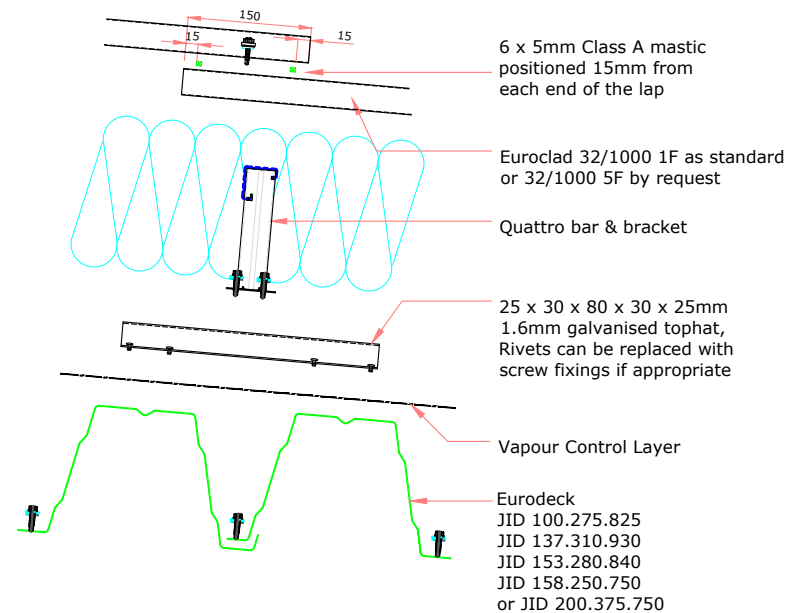
To be read in conjunction with Elite System specification documents

ELITE SYSTEM 7 SIDE LAP DETAIL



Tophat fixings
 Rivets are recommended for gauges \leq 0.7mm - 1.25mm
 Self drilling screws recommended for gauges \geq 1.25mm
 Screw fixings specified for tophats can be replaced with rivets if required for aesthetics.
 Rivets for illustration only.

ELITE SYSTEM 7 END DETAIL



ELITE SYSTEMS

EUROCLAD

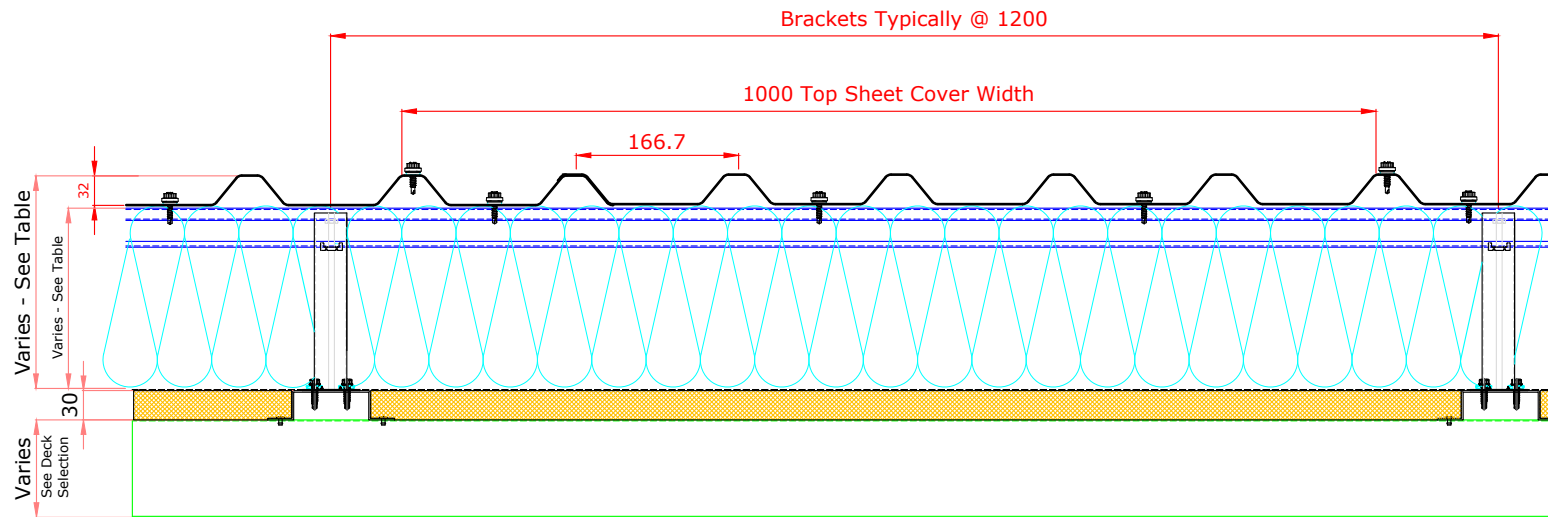
www.euroclad.com
Tel: +44 (0)2922 010 101
Fax: +44 (0)2922 010 122

TITLE: Elite System 7
DWG NO: E7
DRAWN: MP
CHECK: PCL
DATE: February 17
SCALE: NTS

This draft drawing has been supplied by Euro Clad Ltd for the purpose of guidance free of charge. It is a suggested typical detail and as such should not be assumed suitable for any specific project or application. No responsibility is assumed for errors or misinterpretations resulting from the information contained in the drawing. Details are for illustration only and no liability is accepted. We reserve the right to change the details without notice. The drawing is copyright, it remains our property.

See drawing number FR16 for non-fragile fixing requirements

To be read in conjunction with Elite System specification documents



Elite System 7 A1

Bracket Height	Tophat Size	Cavity Depth	Insulation Thickness	Insulation Value	System Depth Excluding deck	U Value at 1.5M Centres	Nominal Weight/M ²	
							Kn 40	RW
140mm	30mm	170mm	170*/180mm	0.040 λ	202mm	0.25	11.60 kg/m ²	14.30 kg/m ²
220mm	30mm	250mm	250mm*/260mm	0.040 λ	282mm	0.17	12.53 kg/m ²	16.28 kg/m ²
240mm	30mm	270mm	270mm*/280mm	0.040 λ	302mm	0.16	12.91 kg/m ²	16.84 kg/m ²
260mm	30mm	290mm	300mm	0.040 λ	322mm	0.15	13.17 kg/m ²	17.67 kg/m ²

* Rockwool Cladding Roll only

Weight does not include Deck
Other u-values by request

ELITE SYSTEMS



www.euroclad.com
Tel: +44 (0)2922 010 101
Fax: +44 (0)2922 010 122

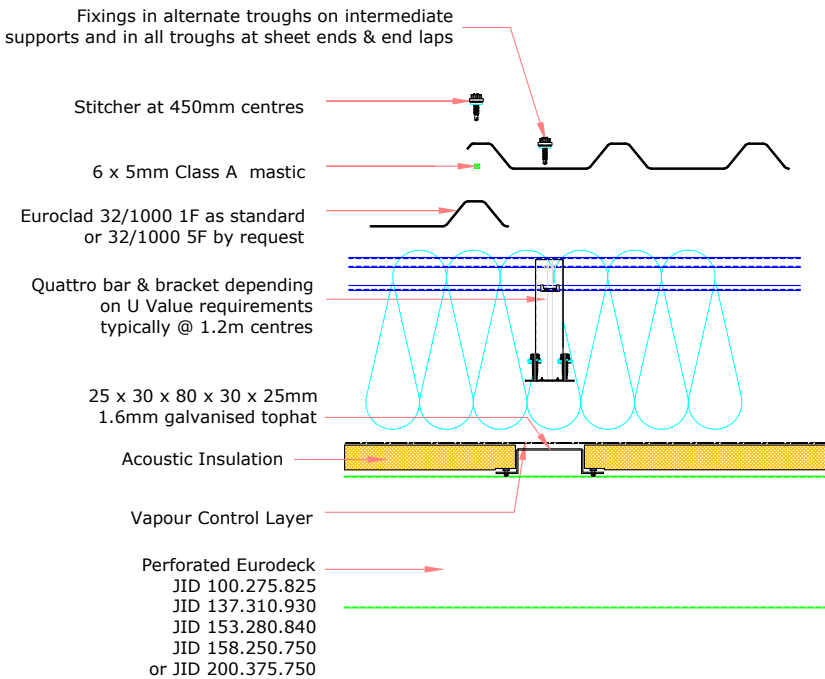
TITLE: Elite System 7
DWG NO: E7
DRAWN: MP
CHECK: PCL
DATE: February 17
SCALE: NTS

This draft drawing has been supplied by Euro Clad Ltd for the purpose of guidance free of charge. It is a suggested typical detail and as such should not be assumed suitable for any specific project or application. No responsibility is assumed for errors or misinterpretations resulting from the information contained in the drawing. Details are for illustration only and no liability is accepted. We reserve the right to change the details without notice. The drawing is copyright, it remains our property.

See drawing number FR16 for non-fragile fixing requirements

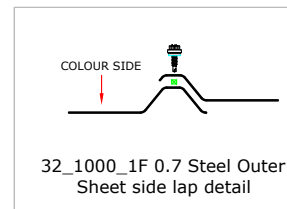
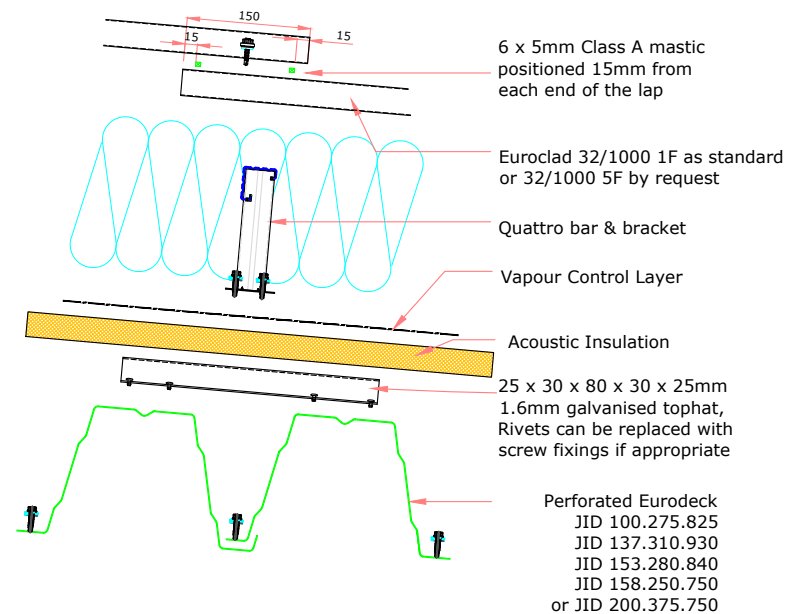
To be read in conjunction with Elite System specification documents

ELITE SYSTEM 7 A1 SIDE LAP DETAIL

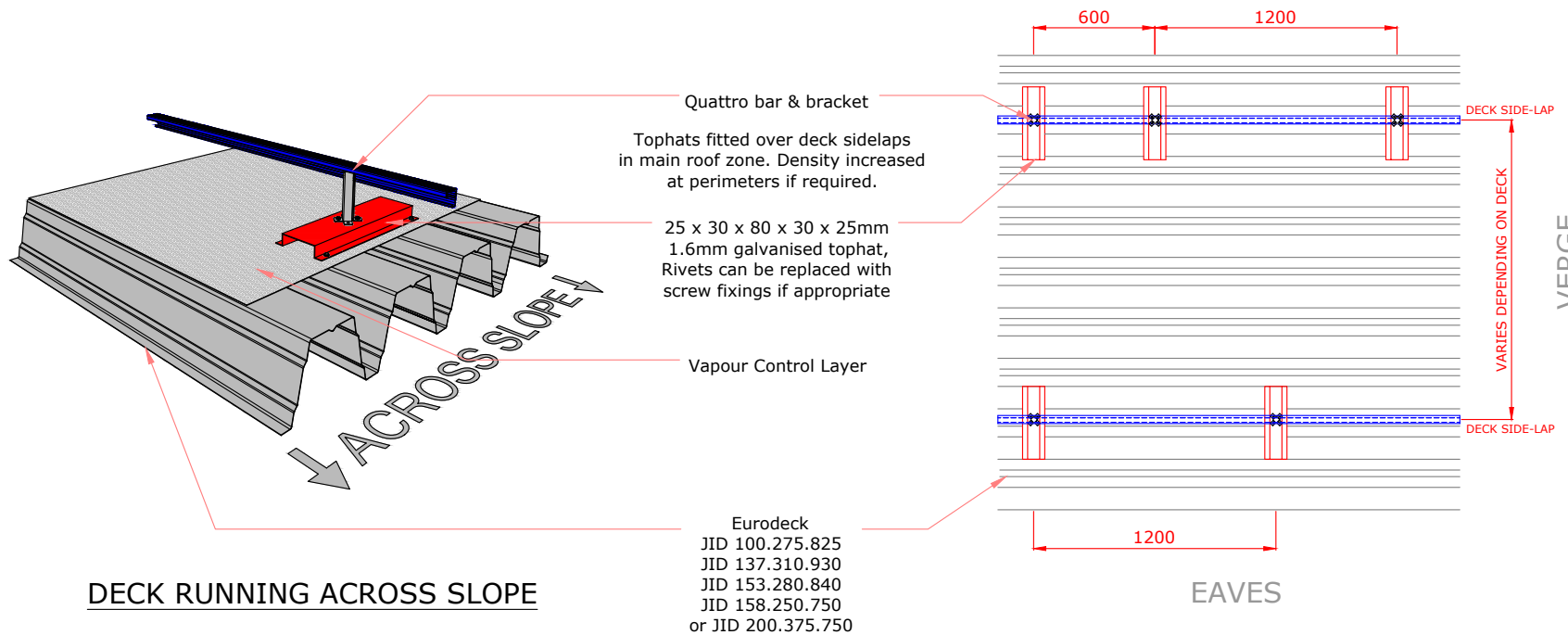


Tophat fixings
Rivets are recommended for gauges $\geq 0.7\text{mm} - 1.25\text{mm}$
Self drilling screws recommended for gauges $\geq 1.25\text{mm}$
Screw fixings specified for tophats can be replaced with rivets if required for aesthetics.
Rivets for illustration only.

ELITE SYSTEM 7 A1 END DETAIL



The distributed load from the external sheet is transferred through the spacer system and tophats to the deck. The tophats as illustrated allow the load to be distributed to each and every deck sheet, avoiding any 1 sheet taking all of the load. It also allows spacer rails to be fitted to the deck in straight rows (rather than diagonal). The use of tophats c400mm long allows for ease of installation on curved roofs. In most cases the maximum spacing achieved will not cause any issues for the external sheet load/span capacity. However, some deck sheets with larger widths will result in centres which may become problematic for the external sheet span ie 1120 wide deck giving centres of 2.240M. In such cases other deck profiles should be considered or the use of longer tophats to allow closer centres for the spacer rails to be achieved. In all cases the external sheet load should be distributed to all deck sheets.



Tophat and Rail centres Upslope determined by loadings and deck cover-width. Typically fixed on each deck sheet for approx 2M from eaves & ridge line and then straddling the deck sidelap in main roof zones at 2 x deck coverwidth. Tophat/Bracket centres along rail determined by loading but typically at 1.2M

ELITE SYSTEMS



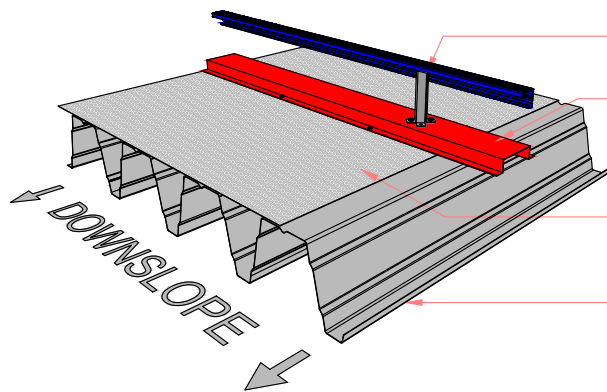
www.euroclad.com
Tel: +44 (0)2922 010 101
Fax: +44 (0)2922 010 122

TITLE: Elite System 7
DWG NO: E7
DRAWN: MP
CHECK: PCL
DATE: February 17
SCALE: NTS

This draft drawing has been supplied by Euro Clad Ltd for the purpose of guidance free of charge. It is a suggested typical detail and as such should not be assumed suitable for any specific project or application. No responsibility is assumed for errors or misinterpretations resulting from the information contained in the drawing. Details are for illustration only and no liability is accepted. We reserve the right to change the details without notice. The drawing is copyright, it remains our property.

See drawing number FR16 for non-fragile fixing requirements

To be read in conjunction with Elite System specification documents

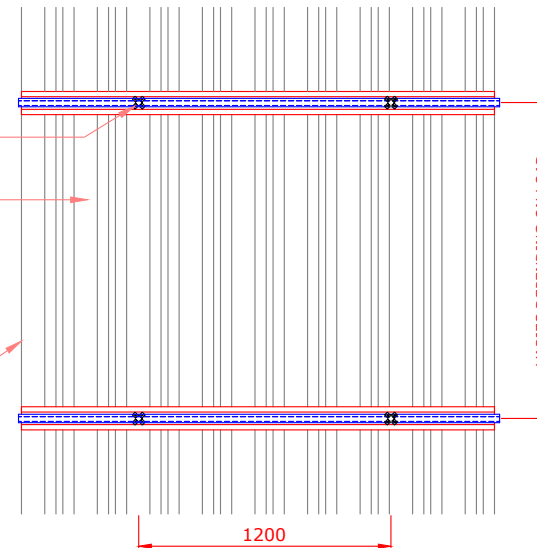


Quattro bar & bracket

25 x 30 x 80 x 30 x 25mm
1.6mm galvanised tophat,
Rivets can be replaced with
screw fixings if appropriate

Vapour Control Layer

Eurodeck
JID 100.275.825
JID 137.310.930
JID 153.280.840
JID 158.250.750
or JID 200.375.750



1200
EAVES

ELITE SYSTEMS

EUROCLAD

www.euroclad.com
Tel: +44 (0)2922 010 101
Fax: +44 (0)2922 010 122

TITLE: Elite System 7
DWG NO: E7
DRAWN: MP
CHECK: PCL
DATE: February 17
SCALE: NTS

This draft drawing has been supplied by Euro Clad Ltd for the purpose of guidance free of charge. It is a suggested typical detail and as such should not be assumed suitable for any specific project or application. No responsibility is assumed for errors or misinterpretations resulting from the information contained in the drawing. Details are for illustration only and no liability is accepted. We reserve the right to change the details without notice. The drawing is copyright, it remains our property.

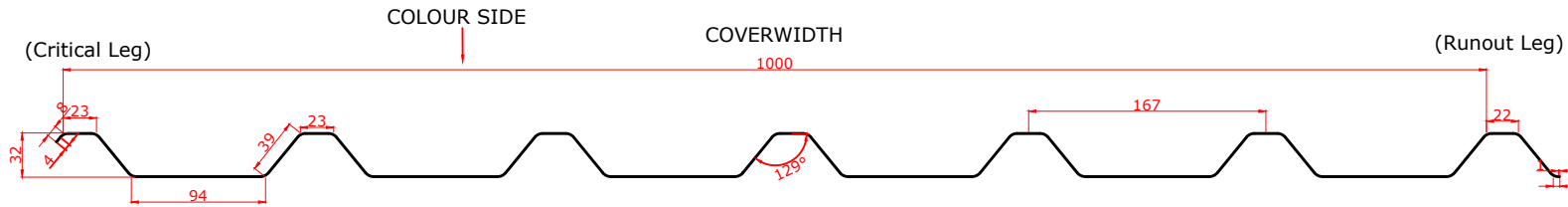
See drawing number FR16 for non-fragile fixing requirements

To be read in conjunction with Elite System specification documents

COLOUR SIDE

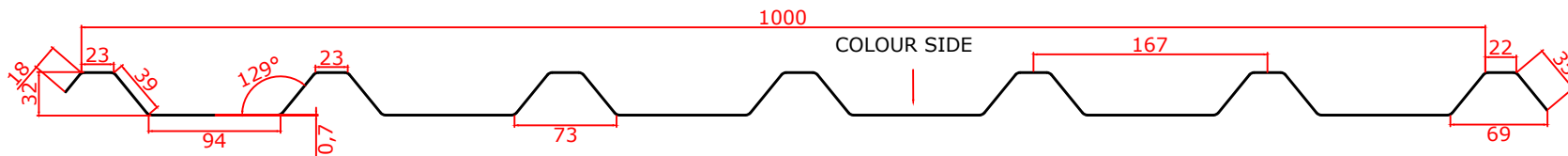
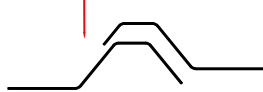


EUROCLAD 32/1000 1F 0.7mm EXTERNAL SHEET



EUROCLAD 32/1000 5F 0.7mm EXTERNAL SHEET

COLOUR SIDE



ELITE SYSTEMS

EUROCLAD

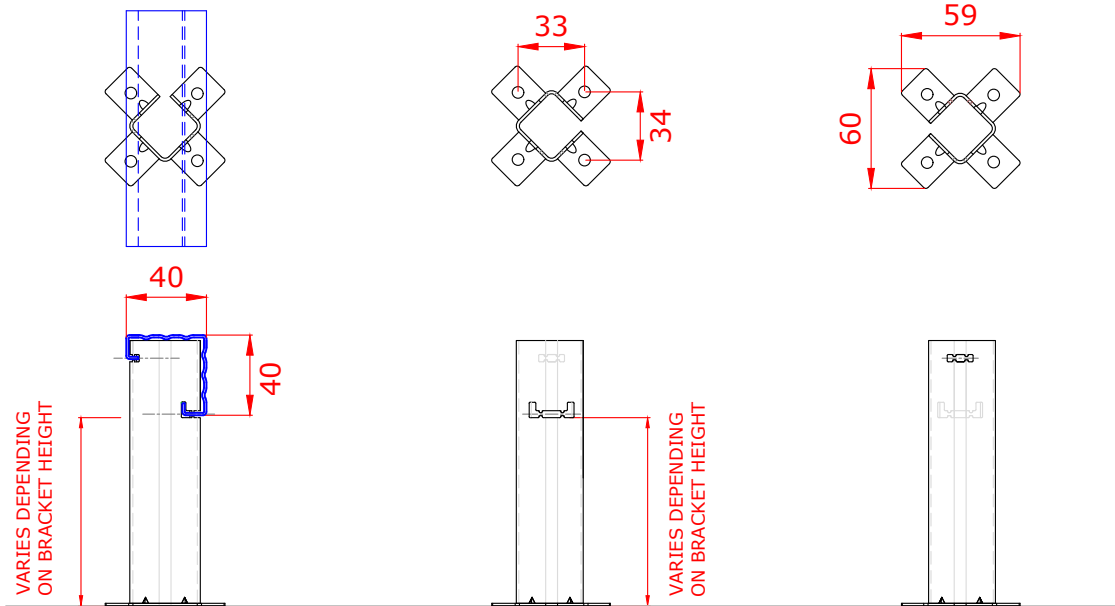
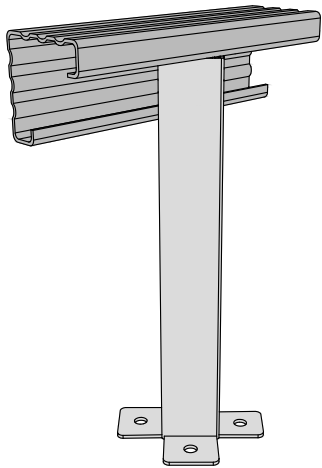
www.euroclad.com
Tel: +44 (0)2922 010 101
Fax: +44 (0)2922 010 122

TITLE: Elite System 7
DWG NO: E7
DRAWN: MP
CHECK: PCL
DATE: February 17
SCALE: NTS

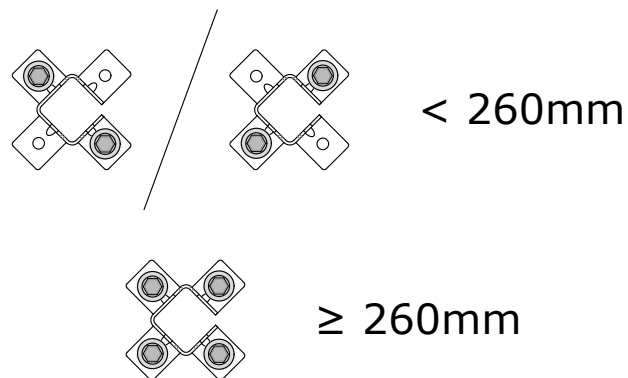
This draft drawing has been supplied by Euro Clad Ltd for the purpose of guidance free of charge. It is a suggested typical detail and as such should not be assumed suitable for any specific project or application. No responsibility is assumed for errors or misinterpretations resulting from the information contained in the drawing. Details are for illustration only and no liability is accepted. We reserve the right to change the details without notice. The drawing is copyright, it remains our property.

See drawing number FR16 for non-fragile fixing requirements

To be read in conjunction with Elite System specification documents



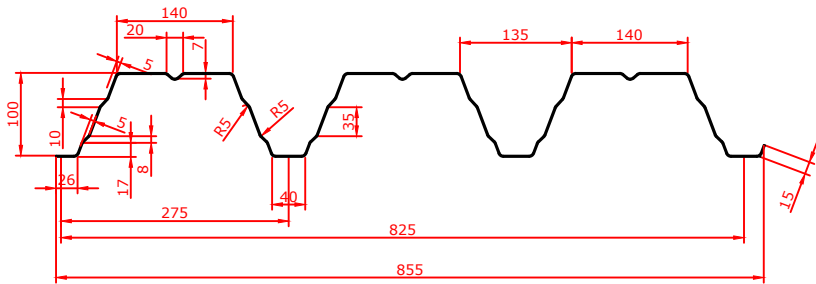
Brackets less than 260mm require 2 fixings diagonally opposite.
Brackets 260mm or more require 4 fixings.



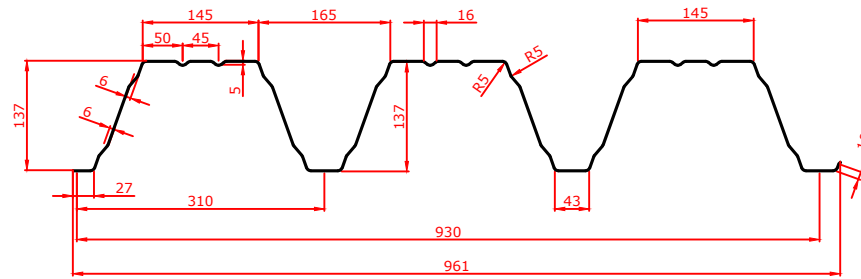
This draft drawing has been supplied by Euro Clad Ltd for the purpose of guidance free of charge. It is a suggested typical detail and as such should not be assumed suitable for any specific project or application. No responsibility is assumed for errors or misinterpretations resulting from the information contained in the drawing. Details are for illustration only and no liability is accepted. We reserve the right to change the details without notice. The drawing is copyright, it remains our property.

See drawing number FR16 for non-fragile fixing requirements

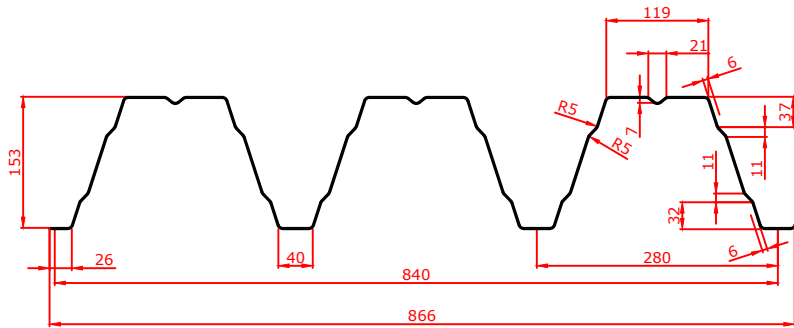
To be read in conjunction with Elite System specification documents



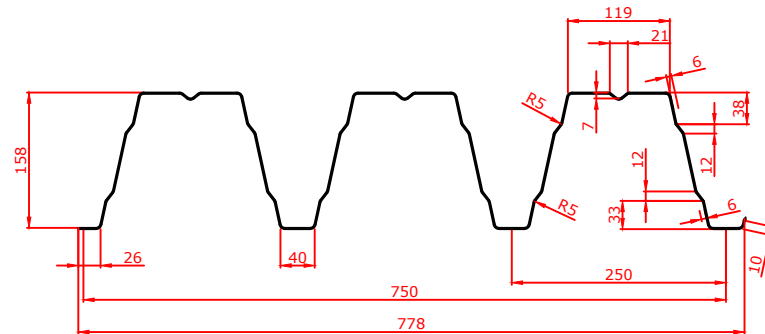
Eurodeck JID 100.275.825



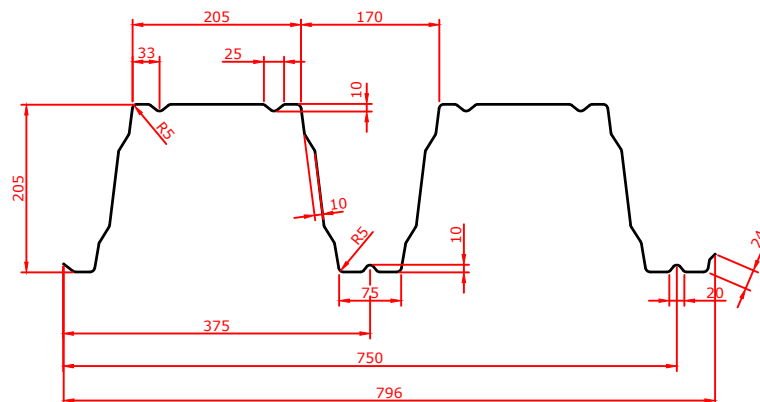
Eurodeck JID 137.310.930



Eurodeck JID 153.280.840



Eurodeck JID 158.250.750



Eurodeck JID 200.375.750