

EUROCLAD ORDER NUMBER:	WORKS USE ONLY
CUSTOMER:	FIRST OFF CHECK:
PROJECT REFERENCE:	
DELIVERY DATE:	

BARREL VAULT - EXTERNAL SHEET (R to L)

EQUIDISTANT TO L1? **YES/NO** **

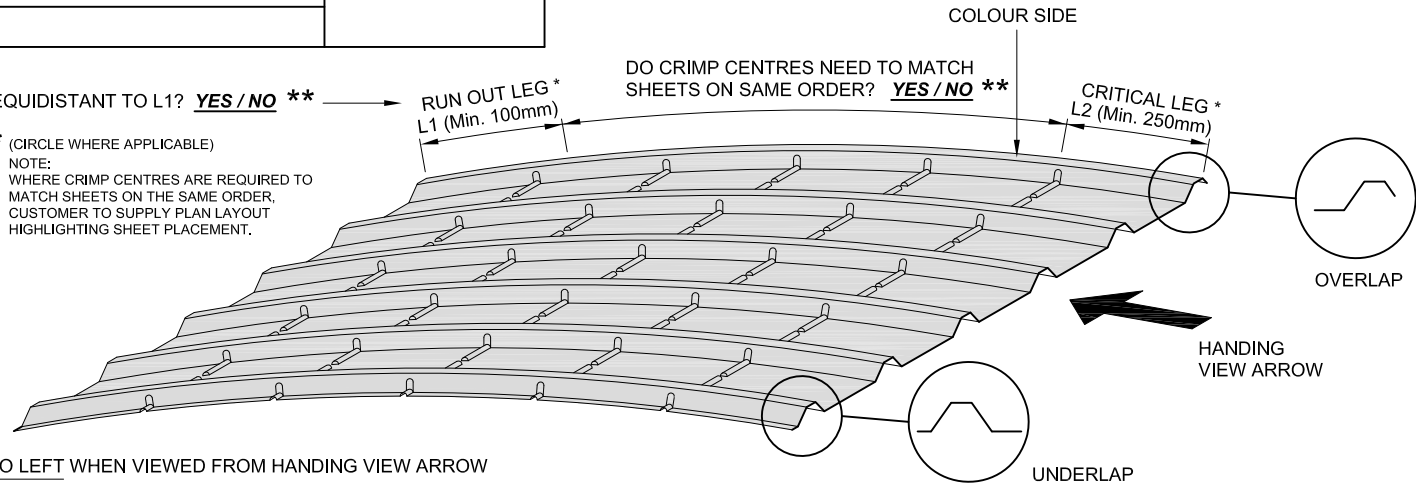
** (CIRCLE WHERE APPLICABLE)
NOTE:
WHERE CRIMP CENTRES ARE REQUIRED TO
MATCH SHEETS ON THE SAME ORDER,
CUSTOMER TO SUPPLY PLAN LAYOUT
HIGHLIGHTING SHEET PLACEMENT.

RUN OUT LEG *
L1 (Min. 100mm)

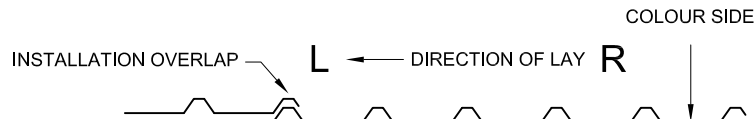
DO CRIMP CENTRES NEED TO MATCH
SHEETS ON SAME ORDER? **YES/NO** **

CRITICAL LEG *
L2 (Min. 250mm)

APPROVED
CUSTOMER SIGNATURE:
DATE:

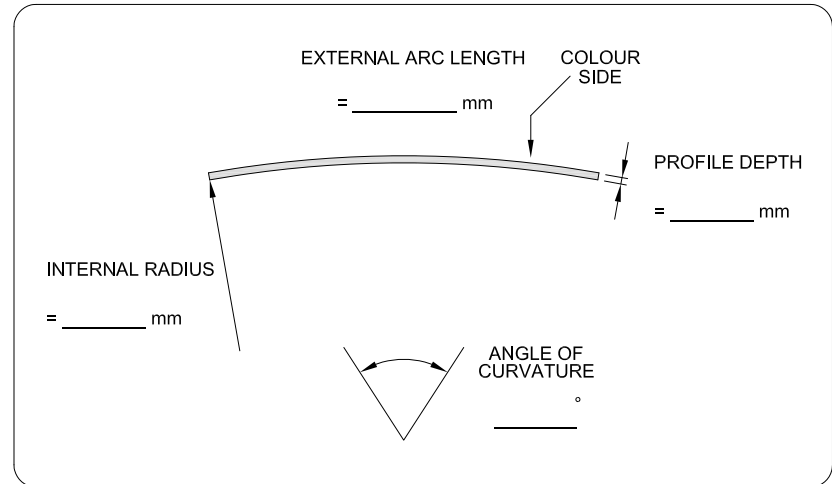


INSTALLED RIGHT TO LEFT WHEN VIEWED FROM HANDING VIEW ARROW



PROFILE:	
MATERIAL/GAUGE:	
COLOUR:	
OVERALL SHEET LENGTH:	
QUANTITY:	
PACK & MARK:	
TO MATCH PREVIOUS: YES / NO	O/No.
WORKS USE ONLY	
No. OF HITS = _____ @ _____ mm CTRS @ PM _____	

NOTES:
EXT RAD = INT RAD + PROFILE DEPTH
 $2 \times 3.142 \times \text{EXT RAD} \times \text{ANGLE} = \text{EXT ARC}$
360
MINIMUM INTERNAL RADIUS = 300mm *
MAXIMUM SHEET LENGTH = 6000mm *
* PRODUCTION LIMITATIONS MAY APPLY



© Euroclad Limited
Manufactured in accordance with MCRMA tolerances.

REV	DESCRIPTION	DATE	DRN BY: J.S
1	.	.	CHKD: .
2	.	.	DATE: 15/07/09
3	.	.	SCALE: N.T.S

EUROCLAD
This drawing is copyright to
Euroclad Ltd, Cardiff CF3 2ER.
Tel 02920 790722
Fax 02920 770479

TITLE CURVED BARREL VAULT EXTERNAL SHEET (INSTALLED RIGHT TO LEFT)
DRAWING No. ED1148
REV..