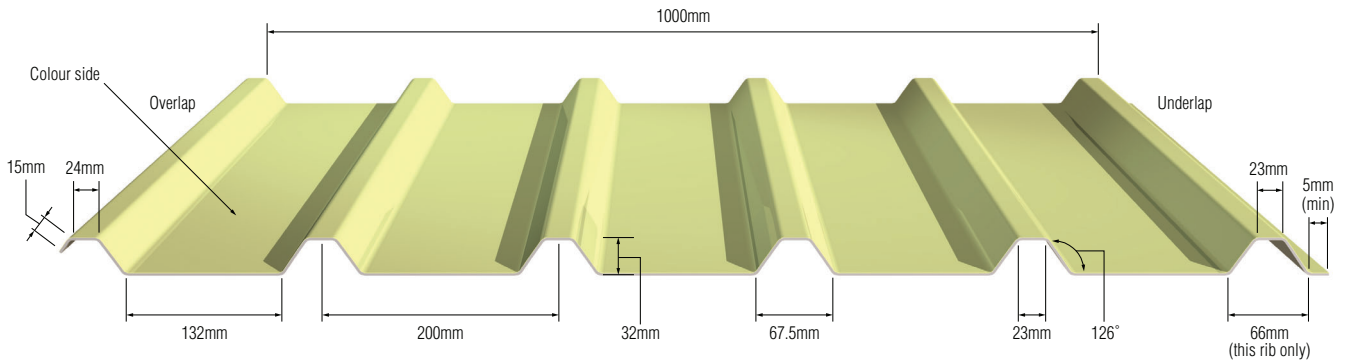


MW5R Steel



Dimension details

Cover width	1,000mm
Profile pitch	200mm
Profile depth	32mm
Crown width	23mm
Valley width	132mm
Rib width	67.5mm
Web	39mm
Overlap (left as shown above)	15mm
Underlap (right as shown above right)	5mm (minimum)

Tolerance on all dimensions as per BS EN 508 – 2 : 2000

Weight per linear metre

0.7mm	6.753 kgs
0.9mm	8.646 kgs

MW5R steel. Load/Span tables – working load UDL (kN/m²)

Load factor (working load to ultimate) = 1.5

		Span (m)																	
GRAVITY	L/200	Thickness	1.00	1.10	1.20	1.30	1.40	1.50	1.60	1.70	1.80	1.90	2.00	2.10	2.20	2.30	2.40	2.50	2.60
	Single span	0.7mm	5.49	4.54	3.81	3.25	2.80	2.44	2.15	1.80	1.52	1.29	1.11	0.96	0.83	0.73	0.64	0.57	0.50
	Double span	0.7mm	3.11	2.68	2.34	2.07	1.83	1.64	1.48	1.34	1.22	1.11	1.02	0.94	0.87	0.80	0.75	0.70	0.65
	Multi span	0.7mm	3.70	3.21	2.81	2.48	2.21	1.98	1.78	1.62	1.47	1.35	1.24	1.14	1.05	0.98	0.91	0.85	0.79
	Single span	0.9mm	7.16	5.92	4.97	4.24	3.65	3.18	2.80	2.35	1.98	1.68	1.44	1.25	1.09	0.95	0.84	0.74	0.66
	Double span	0.9mm	4.58	3.94	3.43	3.01	2.66	2.38	2.13	1.92	1.75	1.59	1.46	1.34	1.23	1.14	1.06	0.99	0.92
	Multi span	0.9mm	5.50	4.74	4.13	3.63	3.22	2.87	2.58	2.33	2.12	1.94	1.77	1.63	1.51	1.39	1.29	1.20	1.10

Load factor (working load to ultimate) = 1.5

		Span (m)																	
UPLIFT	L/200	Thickness	1.00	1.10	1.20	1.30	1.40	1.50	1.60	1.70	1.80	1.90	2.00	2.10	2.20	2.30	2.40	2.50	2.60
	Single span	0.7mm	4.76	3.93	3.30	2.81	2.43	2.01	1.66	1.38	1.16	0.99	0.85	0.73	0.64	0.56	0.49	0.43	0.39
	Single span	0.7mm	3.34	2.89	2.54	2.24	2.00	1.79	1.62	1.47	1.34	1.22	1.12	1.04	0.96	0.89	0.82	0.72	0.64
	Single span	0.7mm	3.97	3.45	3.03	2.68	2.39	2.15	1.94	1.76	1.61	1.48	1.36	1.22	1.06	0.93	0.82	0.72	0.64
	Single span	0.9mm	6.40	5.29	4.44	3.79	3.27	2.75	2.27	1.89	1.59	1.36	1.16	1.00	0.87	0.76	0.67	0.60	0.53
	Single span	0.9mm	4.88	4.21	3.67	3.23	2.86	2.56	2.30	2.08	1.89	1.72	1.58	1.45	1.34	1.24	1.12	0.99	0.88
	Single span	0.9mm	5.84	5.04	4.40	3.88	3.45	3.09	2.78	2.52	2.29	2.09	1.92	1.67	1.46	1.27	1.12	0.99	0.88

Tables calculated by the SCI to EN 1993-1-3 (Eurocode E3)