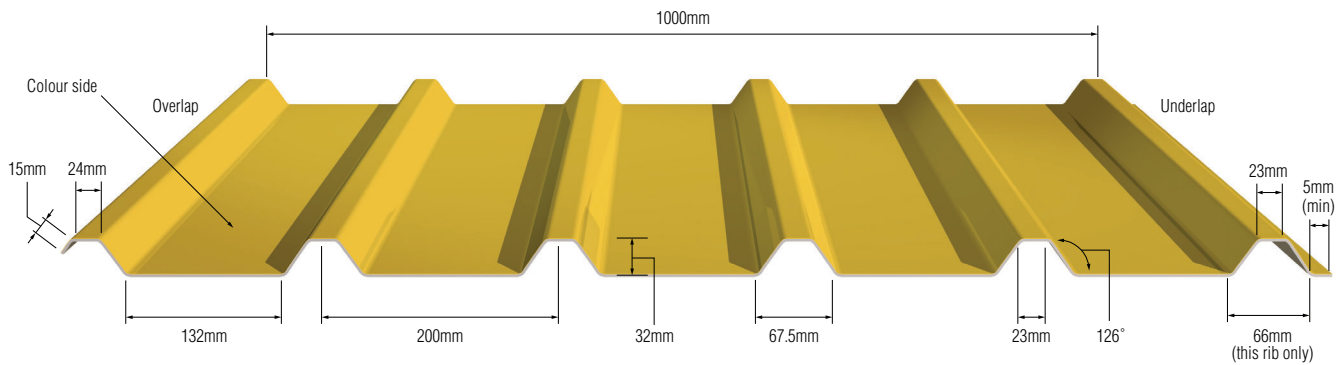


# MW5R Aluminium



### Dimension details

Cover width	1,000mm
Profile pitch	200mm
Profile depth	32mm
Crown width	23mm
Valley width	132mm
Rib width	67.5mm
Web	39mm
Overlap (left as shown above)	15mm
Underlap (right as shown above right)	5mm (minimum)

### Weight per linear metre

0.9mm – one side coated	3.039 kgs
-------------------------	-----------

Tolerance on all dimensions as per BS EN 508 – 2 : 2000

## MW5R aluminium. Load/Span tables – working load UDL (kN/m<sup>2</sup>)

Load factor (working load to ultimate) = 1.5

		Span (m)																	
GRAVITY	L/200	Thickness	1.00	1.10	1.20	1.30	1.40	1.50	1.60	1.70	1.80	1.90	2.00	2.10	2.20	2.30	2.40	2.50	2.60
	Single span	0.9mm	3.59	2.70	2.08	1.63	1.31	1.06	0.88	0.73	0.62	0.52	0.45	0.39	0.34	0.29	0.26	0.23	0.20
Double span	0.9mm	2.40	2.07	1.80	1.58	1.40	1.24	1.11	1.00	0.90	0.82	0.75	0.65	0.56	0.49	0.43	0.38	0.34	
Multi span	0.9mm	2.86	2.48	2.17	1.91	1.69	1.51	1.35	1.22	1.03	0.87	0.75	0.65	0.56	0.49	0.43	0.38	0.34	

Load factor (working load to ultimate) = 1.5

		Span (m)																	
UPLIFT	L/200	Thickness	1.00	1.10	1.20	1.30	1.40	1.50	1.60	1.70	1.80	1.90	2.00	2.10	2.20	2.30	2.40	2.50	2.60
	Single span	0.9mm	2.70	2.03	1.56	1.23	0.98	0.80	0.66	0.55	0.46	0.39	0.34	0.29	0.25	0.22	0.20	0.17	0.15
Double span	0.9mm	2.57	2.23	1.95	1.72	1.53	1.33	1.10	0.91	0.77	0.66	0.56	0.49	0.42	0.37	0.33	0.29	0.26	
Multi span	0.9mm	3.05	2.66	2.33	2.05	1.64	1.33	1.10	0.91	0.77	0.66	0.56	0.49	0.42	0.37	0.33	0.29	0.26	

Tables calculated by the SCI to EN 1999-1-4 (Eurocode EC9)

