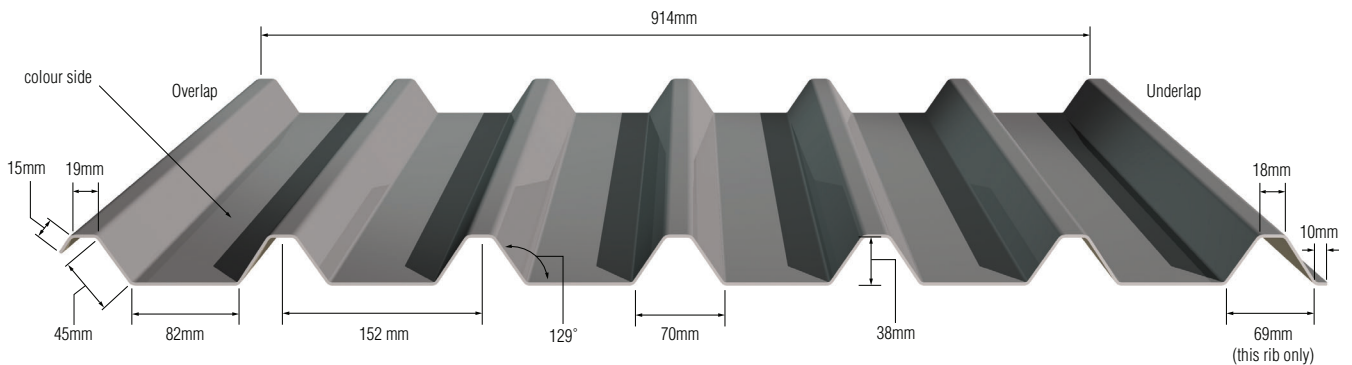


## 38/914mm Forward Steel



### Dimension details

Cover width	914mm
Profile pitch	152mm
Profile depth	38mm
Crown width	19mm
Valley width	82mm
Rib width	70mm
Web	46mm
Overlap (left as shown above)	15mm
Underlap (right as shown above right)	10mm

Tolerance on all dimensions as per BS EN 508 – 2 : 2000

### Weight per linear metre

0.7mm	6.725 kgs
0.9mm	8.646 kgs

## 38/914mm forward steel. Load/Span tables – working load UDL (kN/m<sup>2</sup>)

Load factor (working load to ultimate) = 1.5

		Span (m)																	
GRAVITY	L/200	Thickness	1.00	1.10	1.20	1.30	1.40	1.50	1.60	1.70	1.80	1.90	2.00	2.10	2.20	2.30	2.40	2.50	2.60
	Single span	0.7mm	8.07	6.67	5.61	4.78	4.12	3.59	3.15	2.79	2.40	2.04	1.75	1.51	1.31	1.15	1.01	0.90	0.80
	Double span	0.7mm	4.39	3.81	3.34	2.95	2.63	2.35	2.12	1.93	1.76	1.61	1.48	1.36	1.26	1.17	1.09	1.02	0.95
	Multi span	0.7mm	5.22	4.54	3.98	3.53	3.15	2.83	2.55	2.32	2.12	1.94	1.78	1.65	1.53	1.42	1.32	1.23	1.15
	Single span	0.9mm	10.52	8.70	7.31	6.23	5.37	4.68	4.11	3.64	3.13	2.66	2.28	1.97	1.71	1.50	1.32	1.17	1.04
	Double span	0.9mm	6.53	5.63	4.91	4.33	3.84	3.43	3.09	2.79	2.54	2.32	2.12	1.95	1.80	1.67	1.55	1.45	1.35
	Multi span	0.9mm	7.80	6.75	5.90	5.20	4.62	4.14	3.73	3.37	3.07	2.81	2.58	2.37	2.19	2.03	1.89	1.76	1.65

Load factor (working load to ultimate) = 1.5

		Span (m)																	
UPLIFT	L/200	Thickness	1.00	1.10	1.20	1.30	1.40	1.50	1.60	1.70	1.80	1.90	2.00	2.10	2.20	2.30	2.40	2.50	2.60
	Single span	0.7mm	7.21	5.96	5.01	4.27	3.68	3.20	2.82	2.37	2.00	1.70	1.45	1.26	1.09	0.96	0.84	0.74	0.66
	Double span	0.7mm	4.63	4.03	3.54	3.13	2.80	2.51	2.27	2.06	1.88	1.73	1.59	1.47	1.36	1.26	1.18	1.10	1.03
	Multi span	0.7mm	5.50	4.79	4.21	3.74	3.34	3.01	2.72	2.48	2.26	2.08	1.91	1.77	1.64	1.53	1.40	1.24	1.10
	Single span	0.9mm	9.70	8.02	6.74	5.74	4.95	4.31	3.79	3.24	2.73	2.32	1.99	1.72	1.49	1.31	1.15	1.02	0.90
	Double span	0.9mm	6.82	5.89	5.15	4.54	4.03	3.61	3.25	2.94	2.68	2.45	2.25	2.07	1.91	1.77	1.65	1.53	1.43
	Multi span	0.9mm	8.13	7.04	6.17	5.45	4.85	4.35	3.92	3.55	3.24	2.96	2.72	2.51	2.32	2.15	1.92	1.70	1.51

Tables calculated by the SCI to EN 1993-1-3 (Eurocode E3)

