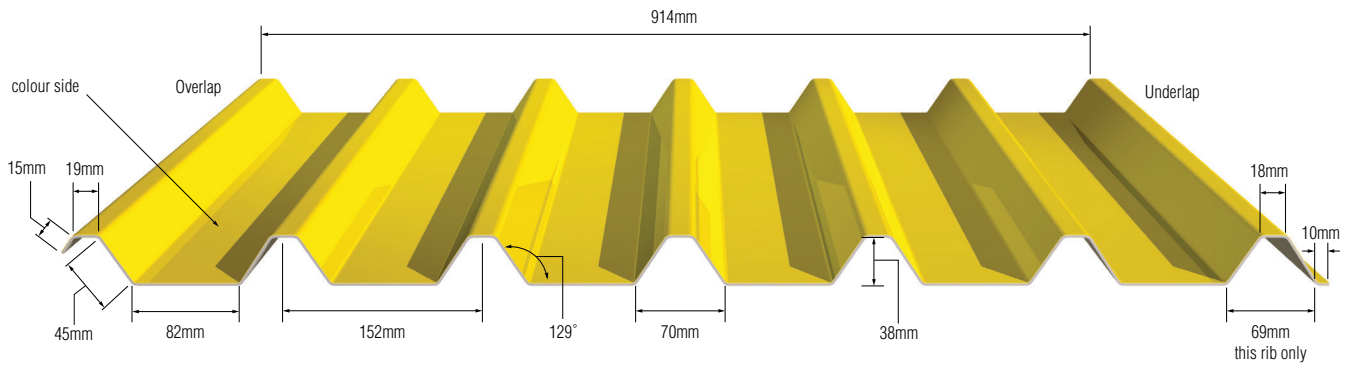


38/914mm Forward Aluminium



Dimension details

Cover width	914mm
Profile pitch	152mm
Profile depth	38mm
Crown width	19mm
Valley width	82mm
Rib width	70mm
Web	46mm
Overlap (left as shown above)	15mm
Underlap (right as shown above right)	10mm

Weight per linear metre

0.9mm – one side coated	3.039 kgs
-------------------------	-----------

Tolerance on all dimensions as per BS EN 508 – 2 : 2000

38/914mm Forward aluminium. Load/Span tables – working load UDL (kN/m²)

Load factor (working load to ultimate) = 1.5

		Span (m)																	
GRAVITY	L/200	Thickness	1.00	1.10	1.20	1.30	1.40	1.50	1.60	1.70	1.80	1.90	2.00	2.10	2.20	2.30	2.40	2.50	2.60
	Single Span	0.9mm	5.56	4.33	3.33	2.62	2.10	1.71	1.41	1.17	0.99	0.84	0.72	0.62	0.54	0.47	0.42	0.37	0.33
	Double Span	0.9mm	3.39	2.95	2.58	2.27	2.02	1.80	1.62	1.46	1.32	1.20	1.10	1.01	0.90	0.79	0.69	0.61	0.55
	Multi Span	0.9mm	4.02	3.51	3.08	2.73	2.43	2.18	1.96	1.77	1.61	1.40	1.20	1.04	0.90	0.79	0.69	0.61	0.55

Load factor (working load to ultimate) = 1.5

		Span (m)																	
UPLIFT	L/200	Thickness	1.00	1.10	1.20	1.30	1.40	1.50	1.60	1.70	1.80	1.90	2.00	2.10	2.20	2.30	2.40	2.50	2.60
	Single Span	0.9mm	4.62	3.47	2.68	2.11	1.69	1.37	1.13	0.94	0.79	0.67	0.58	0.50	0.43	0.38	0.33	0.30	0.26
	Double Span	0.9mm	3.60	3.15	2.77	2.46	2.19	1.97	1.77	1.57	1.32	1.12	0.96	0.83	0.72	0.63	0.56	0.49	0.44
	Multi Span	0.9mm	4.24	3.72	3.29	2.93	2.62	2.28	1.88	1.57	1.32	1.12	0.96	0.83	0.72	0.63	0.56	0.49	0.44

Tables calculated by the SCI to EN 1999-1-4 (Eurocode EC9)

